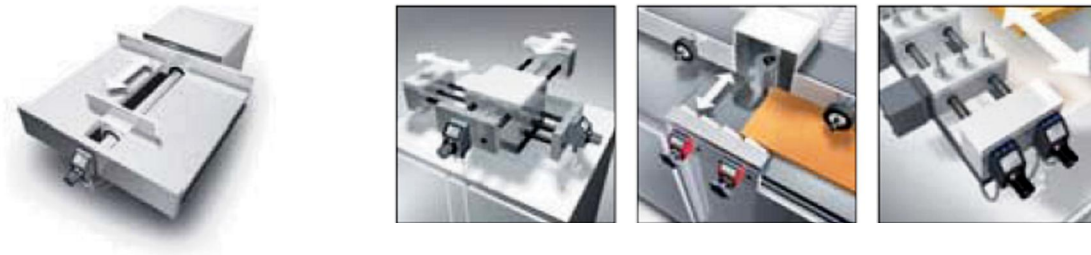


## Easy Orange Line

Manual linear system for subordinate altering tasks with a digital display



**Medan Easy Orange linear unit** - is for easy and subordinate altering tasks conceived, however indicated by a simple but effective and solid construction. The actuator transfers the axial force of the spindle to the transport load by the profile slit to the outside. The anodize aluminium profile of the actuator is locked by end caps on both sides. One of the end caps takes the numerical display while the other end cap is housing the spindle loose bearing. The linear unit is works with a round spindle which has a gradient of 4mm (self-locking). Our long time approved high grade steel covering system protect the internal space from pollution - independent of his mounting position or construction length.

### Advantages :

- circulating groove at the profile
- high grade steel covering system
- absolute lubricants free
- low weight by using plastics and aluminium
- temperature resistance up to 60°C
- resistance to corrosion
- large display (figure height 8 mm)
- battery easily exchangeable
- reserve energy up to 8 years
- incremental measurement function, display of absolute value

**mechanical technical datas actuator**



**design:** linear unit with round spindle gradient of 4mm  
**stroke:** up to 1500mm  
**mounting position:** any  
**temperature:** -10°C - +60°C  
**material:**  
 barrel: anodised aluminium  
 slip parts: POM  
 spindle: stainless steel  
 spindle nut: acid- and oil-proofed synthetic material  
 sealing band: stainless steel  
 screws: zinc-plate steel, quality 8.8 – 12.9  
 mounting: anodised aluminium

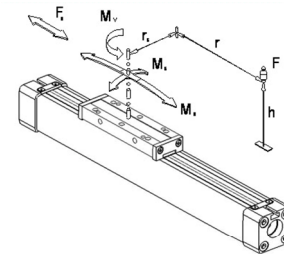
**mechanical technical datas digital sensor**



**display:** LCD display, 5-digit, 8 mm digit height  
**display range:** -19999 ... 99999  
**battery:** lithium coin cell, 3 V, CR2032 type (~2 years of service life)  
 lithium coin cell, 3 V, CR2477 type (~8 years of service life)  
**shock resistance:** 30 g /15 ms (DIN EN 60068-2-27)  
**vibration resistance:** 0 g / (5 ... 150 Hz) (DIN EN 60068-2-6)  
 20 g / (100 ... 2.000 Hz) (DIN EN 60068-2-6)  
**EMC:** DIN EN 61000-4-2  
 DIN EN 61000-4-4

**mechanical technical datas system**

protection category: IP51



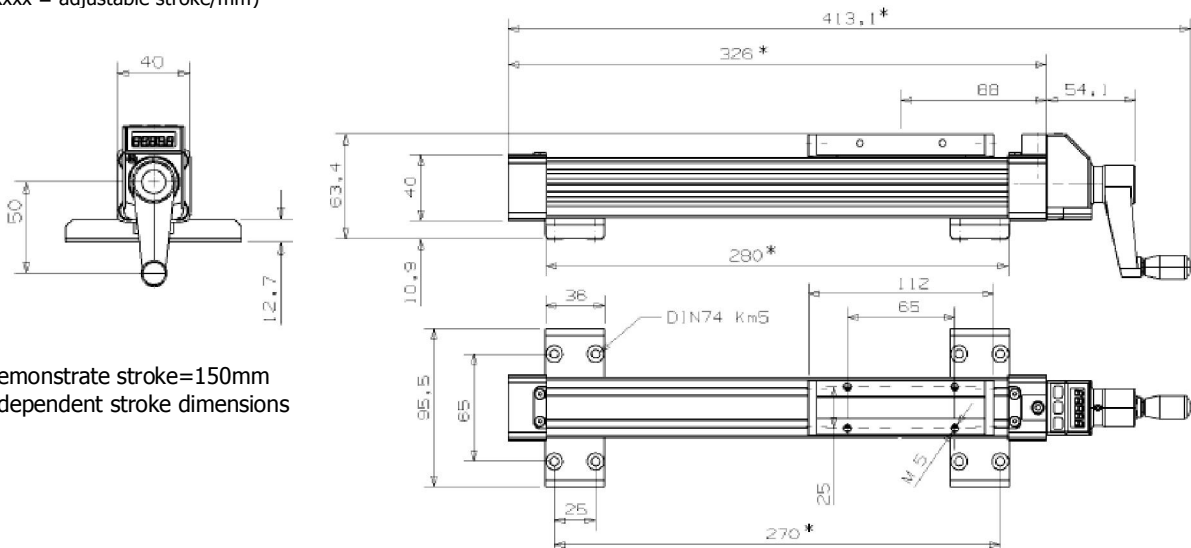
**forces and moments**

**characteristics**

EOL-RD-25	Max. load F	Max. $M_x$	Max. $M_s$	Max. $M_y$	weight 0-stroke	weight p. 100mm
EOL-RD-25/00-xxxx	150N	15Nm	1,5Nm	3Nm	1,0Kg	0,33Kg

**order code:**

EOL-RD-25/00-xxxx  
 (xxxx = adjustable stroke/mm)



demonstrate stroke=150mm  
 \*dependent stroke dimensions