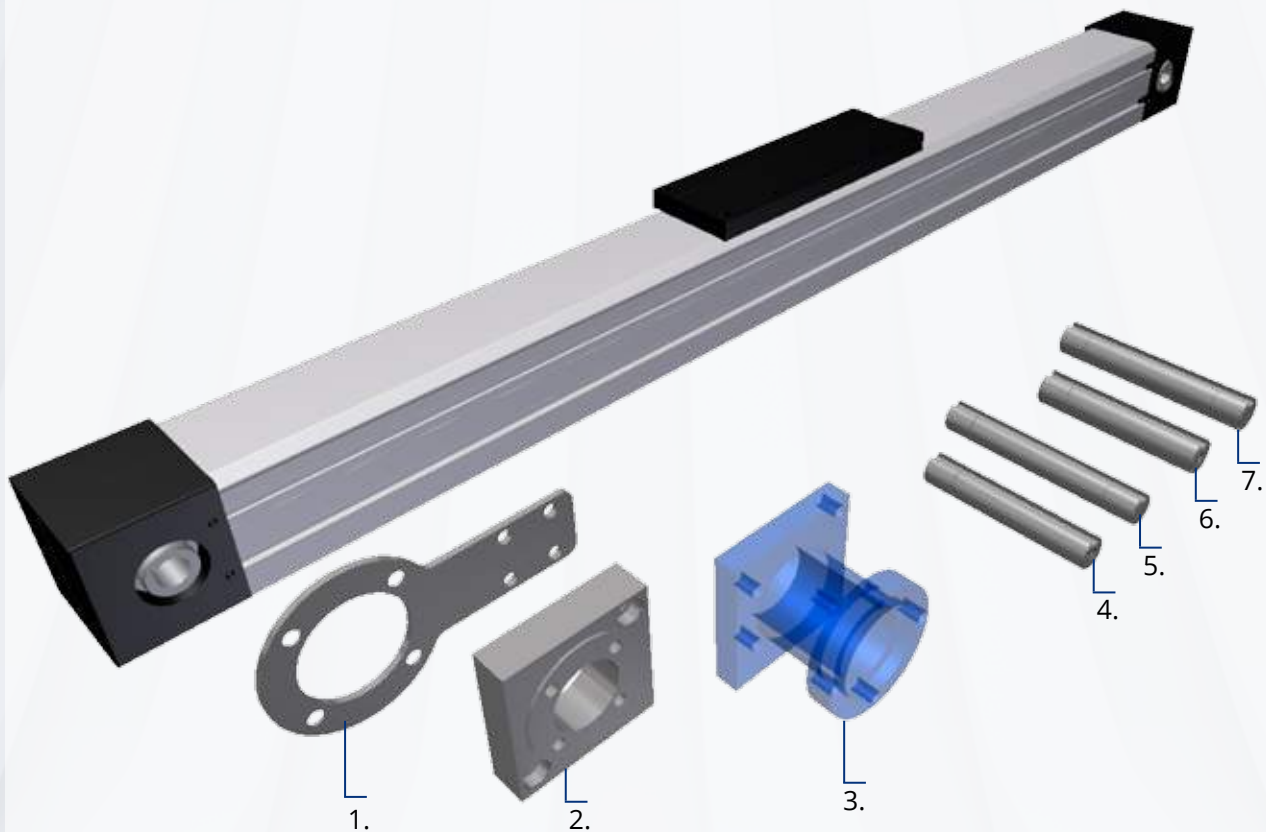


LT55

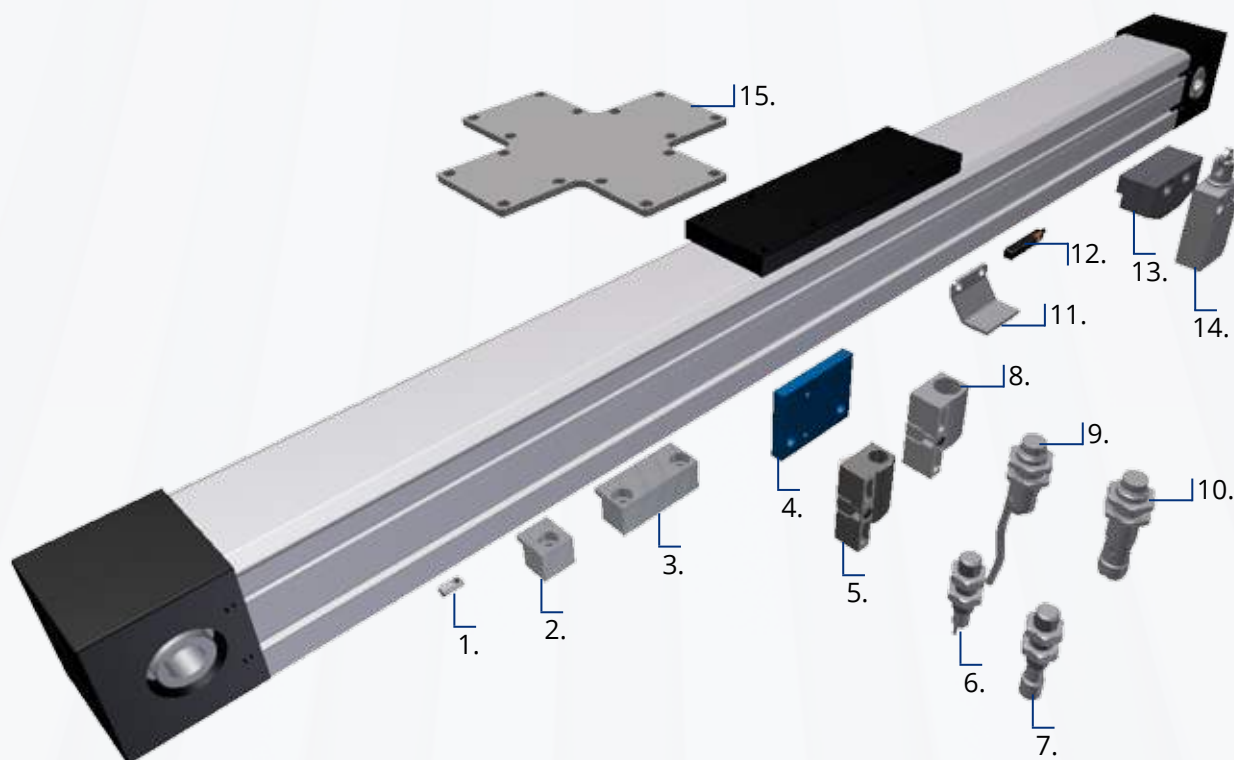
MOTOR ACCESSORIES



1	5570-RA-M-XXX	Motor adaptor armtype
2	5570-F-XXX	Motor Flange
3	5570-FL-XXX	Motor adaptor
4	5070-SS-12-GS14	Single shaft \varnothing 12
5	5070-DS-12-GS14	Double shaft \varnothing 12
6	5070-SS-14-GS14	Single shaft \varnothing 14
7	5070-DS-14-GS14	Double shaft \varnothing 14

LT55-TR-S15D

ACCESSORIES



1	111-012	Nut M5
2	55121	Clamping plate single
3	55122	Clamping plate double
4	5570-SH-XS	Bracket for Telem. bracket
5	XSZB108	Bracket for M8 sensor
6	XS4p08pa340	M8 inductive sensor-cable
7	XS4p08pa340s	M8 inductive sensor-M8
8	XSZB112	Bracket for M12 sensor
9	XS212b4pal	M12 inductive sensor-cable
10	XS212b4pbm	M12 inductive sensor-M8
11	5570-DB4-IN	Sensor Bracket
12	ASV1-C525	Reed switch
13	5570-SD-ME	Switch bracket
14	XCMD2102L	Switch with roll
15	5570-XP-D	X-Cross-bracket