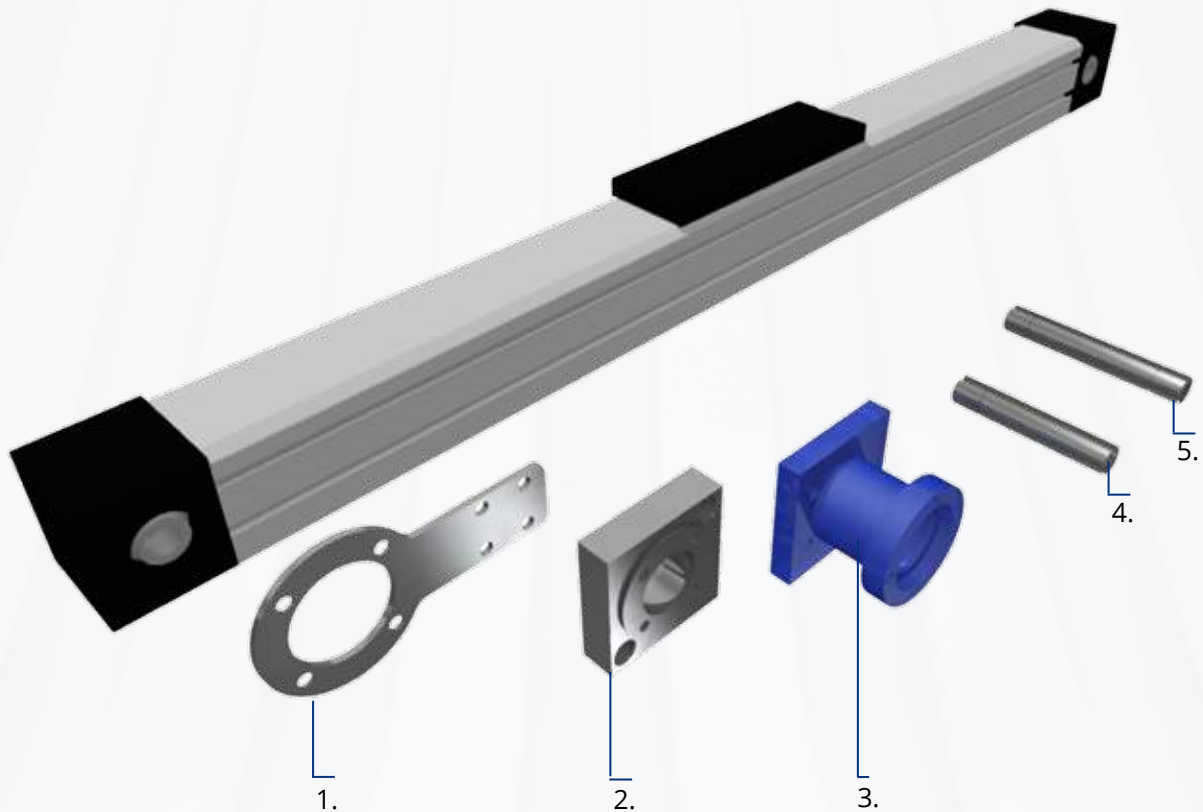


# LT80-TR-S20D

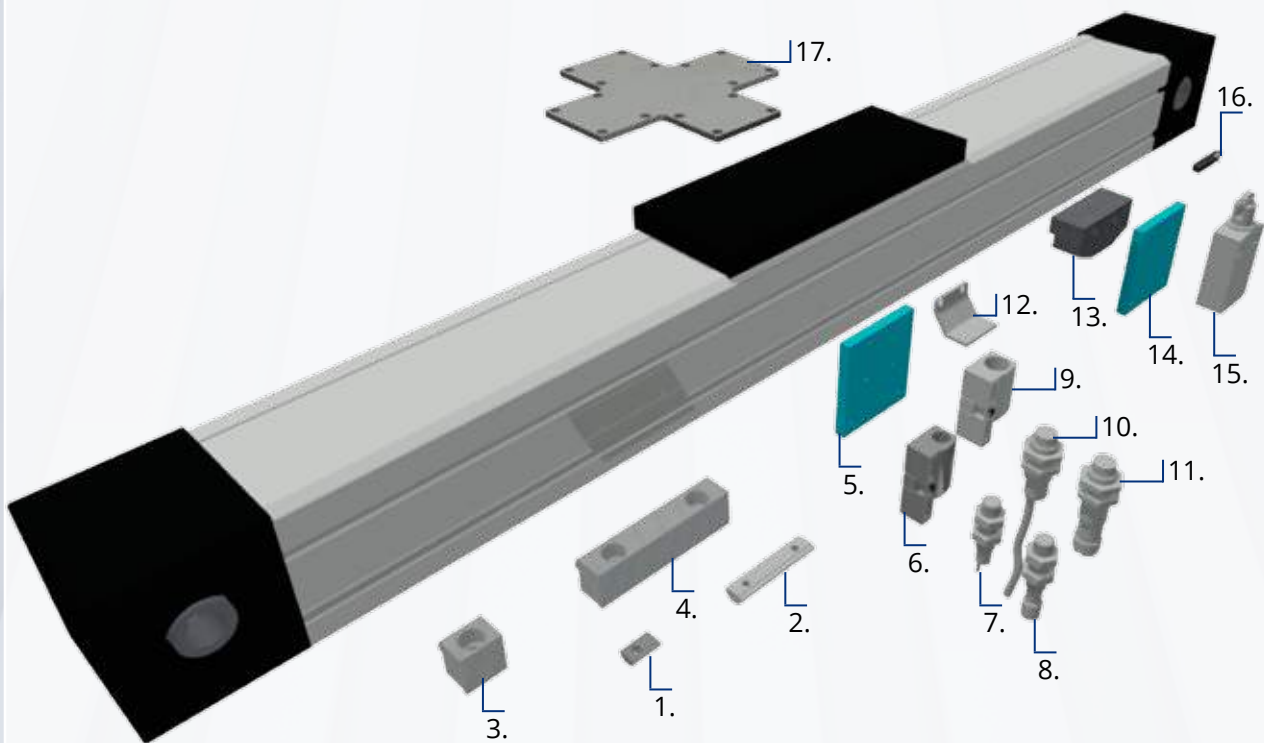
## MOTOR ACCESSORIES



1	8070-RA-M-XXX	Motor adapter armtype
2	8070-F-XXX	Motor Flange
3	8070-FL-XXX	Motor adapter
4	8070-SS-16-GS19	Single shaft $\varnothing 16$
5	8070-DS-16-GS19	Double shaft $\varnothing 16$

# LT80-TR-S20D

## ACCESSORIES



1	111-036	Single Nut M5
1	111-028	Single Nut M6
1	111-029	Single Nut M8
2	172-710	Double Nut M8 L=26
2	172-711	Double Nut M8 L=66
2	172-713	Double Nut M6 L=40
2	172-714	Double Nut M8 L=40
3	80121	Clamping plate single
4	80122	Clamping plate double
5	8070-SH-XS	Bracket for Telem. Bracket
6	XSZB108	Bracket for M8 sensor
7	XS4p08pa340	M8 inductive sensor-cable
8	XS4p08pa340s	M8 inductive sensor-M8
9	XSZB112	Bracket for M12 sensor
10	XS212b4pal	M12 inductive sensor-cable
11	XS212b4pbm	M12 inductive sensor-M8
12	8070-DB4-IN	Sensor bracket
13	8070-SD-ME	Switch bracket
14	8070-XCMD-B	Bracket for switch
15	XCMD2102L	Switch with roll
16	ASV1-C525	Reed switch
17	8070-XP-D	X-Cross-bracket