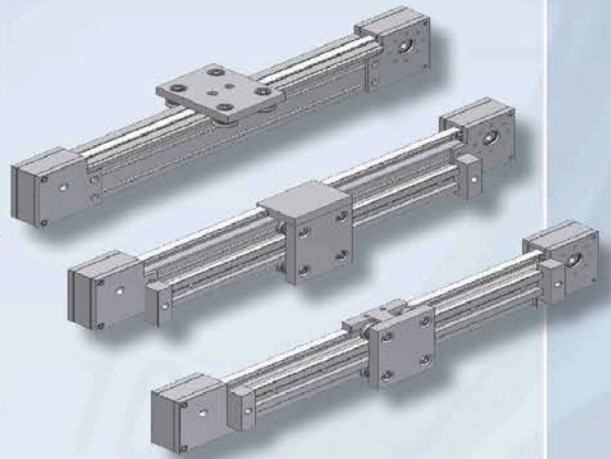


LTC series

Linear units with toothed belt drive and guide wheel system



- Basic extrusion profile 45 x 90, 45 x 135 or 90 x 90 mm
- Guide system of hardened wheels on hardened shafts
- Toothed belt type AT10, 16, 25 or 50 mm wide
- Hardened and grinded V-shaped wheels
- Very resistant to pollution

Technical data

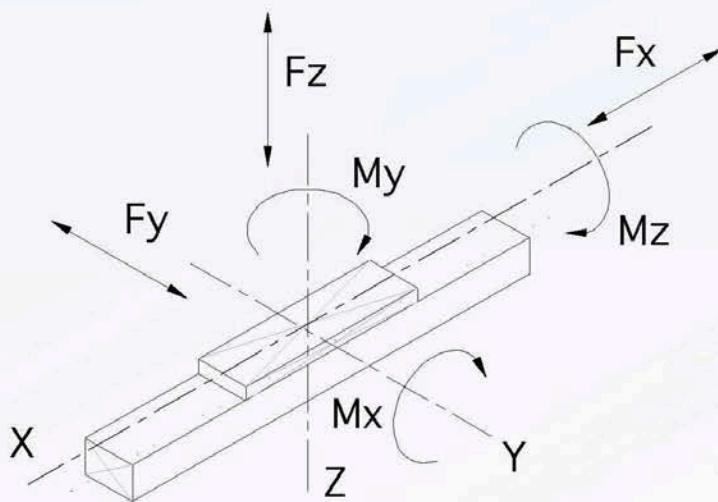
LTC series

Maximum stroke length	mm	12.000
Maximum speed	mm/s	5.000
Maximum acceleration	m/s ²	200
Repeatability	mm	± 0,1
Movement per revolution	mm	200

LTC series

Technical data

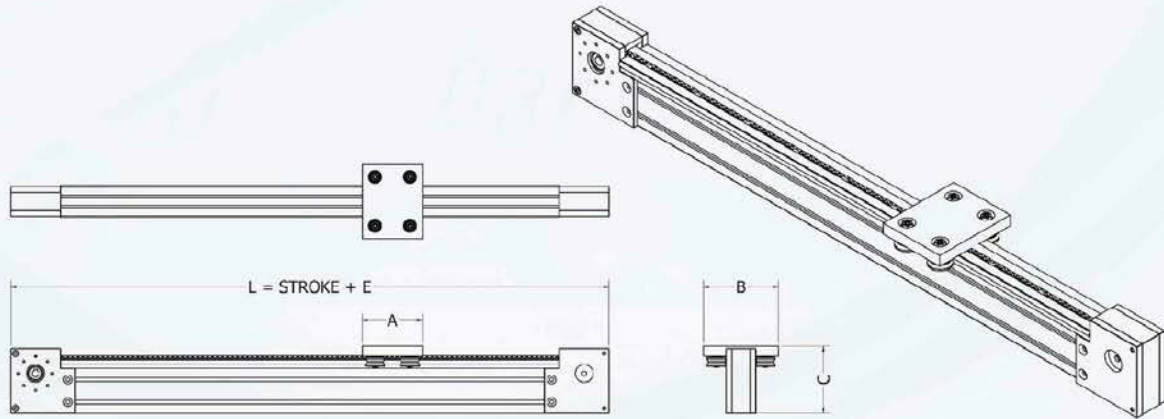
Load capacity		LTC-TR-C10	LTC-TR-C12	LTC-TR-C16	LTC-TR-G20
Mx	Nm	84	144	320	608
My	Nm	127	200	490	650
Mz	Nm	42	72	160	410
Fx	N	2.100	2.100	2.100	6.500
Fy	N	2.400	3.200	6.400	6.400
Fz	N	2.600	3.200	7.000	7.000



LTC series

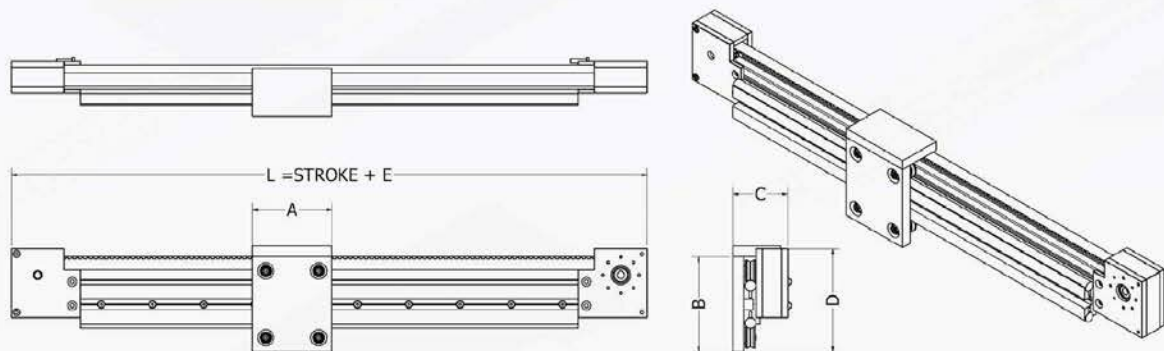
Dimensions

Dimensions LTC-TR-C10-D1



Type	A	B	C	D	E
C 10-D1	120	150	134,5	-	320
C 12-D1	150	180	140,5	-	350
C 16-D1	180	200	152,0	-	380

Dimensions LTC-TR-C10-S1

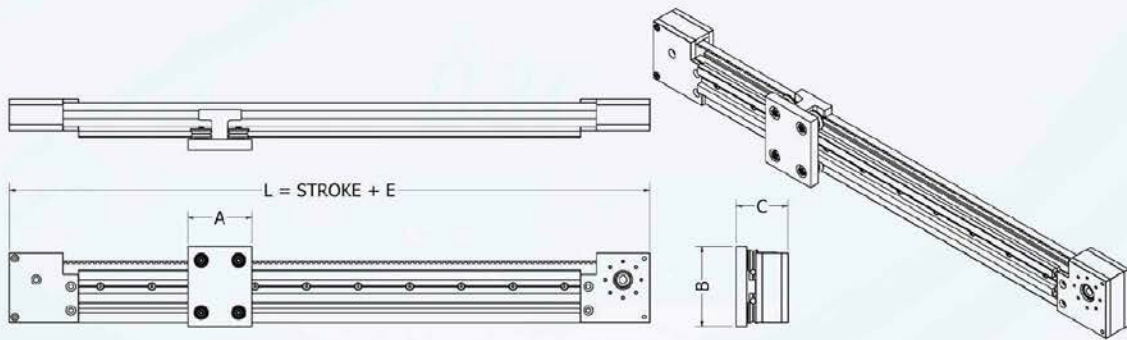


Type	A	B	C	D	E
C 10-S1	120	150	97	182,5	380
C 12-S1	150	180	103	200	410
C 16-S1	180	200	114,5	215	440

LTC series

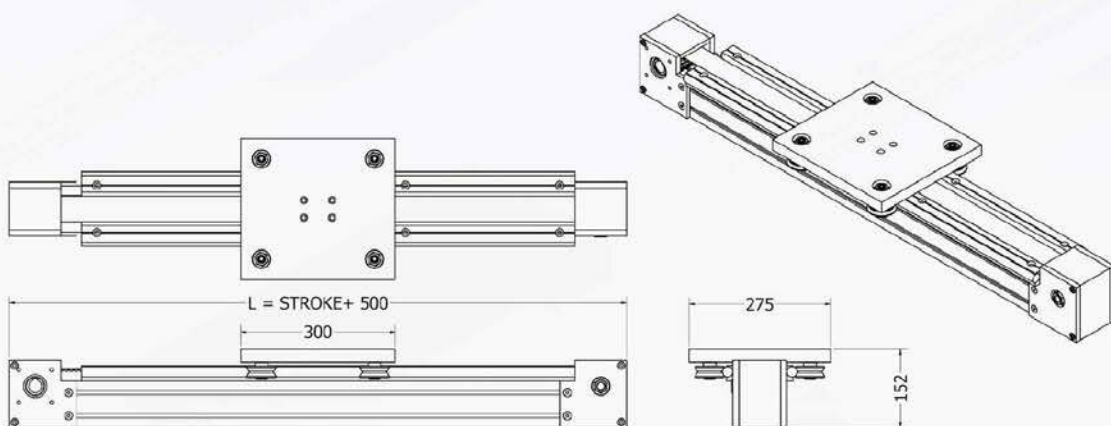
Dimensions

Dimensions LTC-TR-C10-S2



Type	A	B	C	D	E
C 10-S2	120	150	97	-	380
C 12-S2	150	180	103	-	410
C 16-S2	180	200	114,5	-	440

Dimensions LTC-TR-G20



LTC series

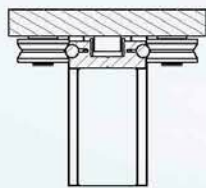
Combinations

LTC series

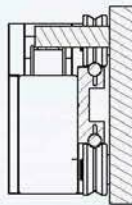
The LTC series is modular build, there are many possible combinations. The base is formed by an aluminum profile with a guide rail mounted.

Standard combinations

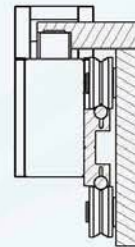
C10-D1



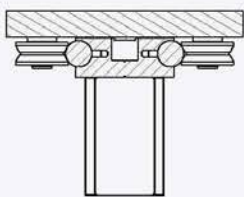
C10-S2



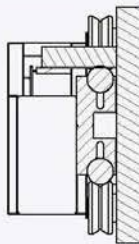
C10-S1



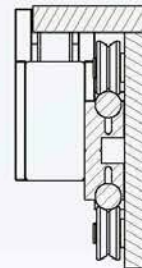
C12-D1



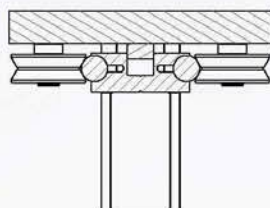
C12-S2



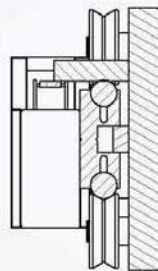
C12-S1



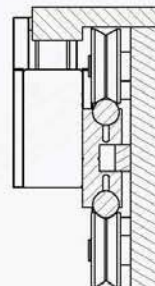
C16-D1



C16-S2



C16-S1



G20

