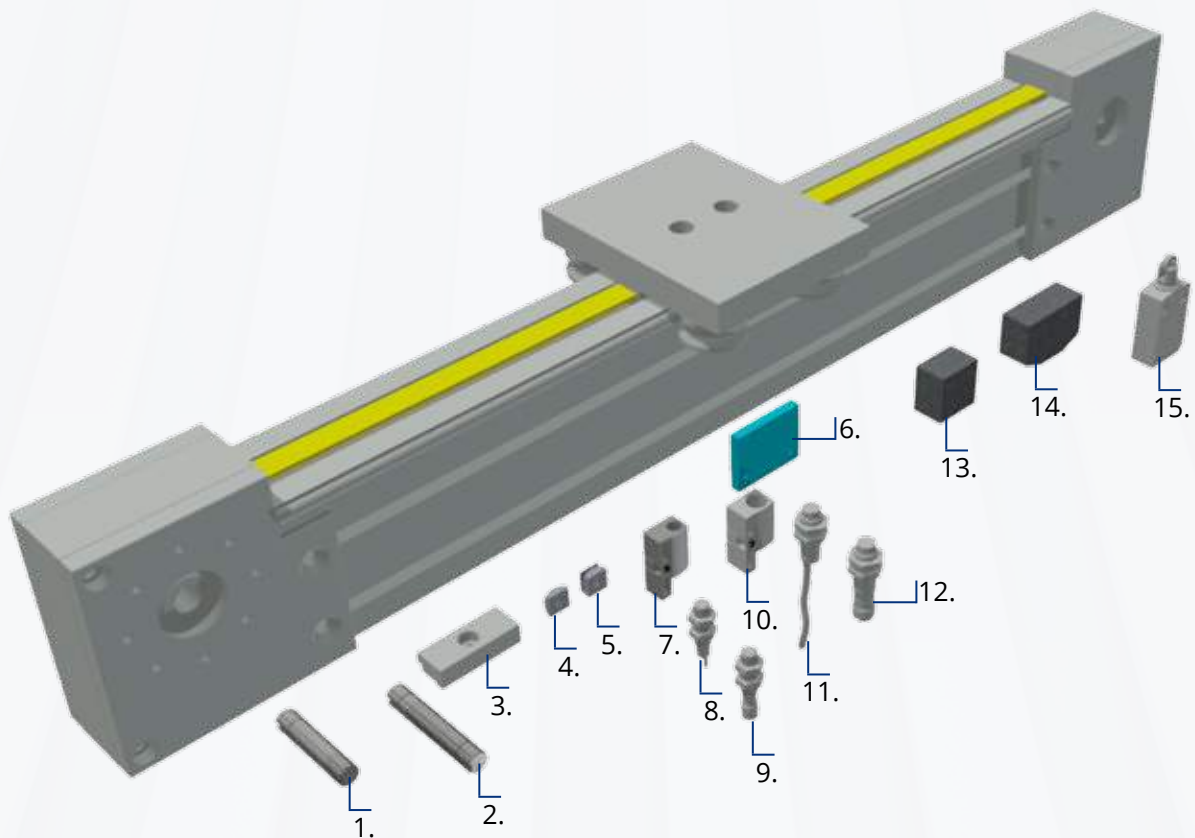


LTC-TR-C

ACCESSORIES



1	LTC-SH-14	Motor shaft 1 side
2	LTC-SH-14D	Motor shaft 2 sides
3	21.1027	Clamping bracket
4	21.1347	Square nut M5
4	21.1330	Square nut M6
4	21.1351	Square nut M8
5	21.1347F	Square nut with Fix M5
5	21.1330F	Square nut with Fix M6
5	21.1351F	Square nut with Fix M8
6	LTC45-SH-XS	Bracket for Telem. bracket
7	XSZB108	Bracket for M8 sensor
8	XS4p08pa340	M8 inductive sensor-cable
9	XS4p08pa340s	M8 inductive sensor-M8
10	XSZB112	Bracket for M12 sensor
11	XS212b4pal	M12 inductive sensor-cable
12	XS212b4pbm	M12 inductive sensor-M8
13	LTC-D-DB4-IN	Sensor bracket
14	LTC-D-SD-ME	Switch bracket
15	XCMD2102L	Switch with roll