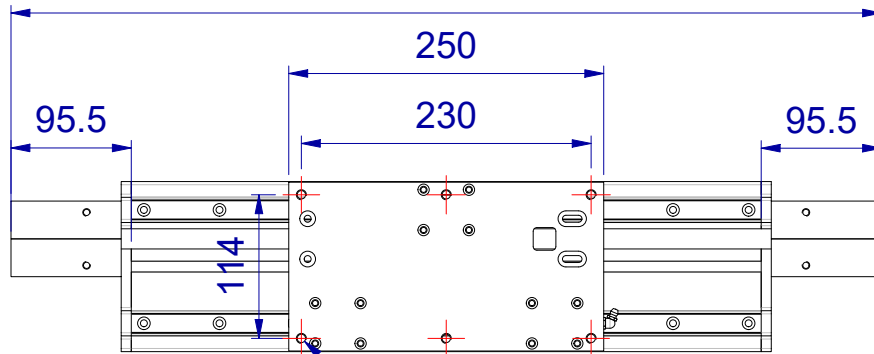


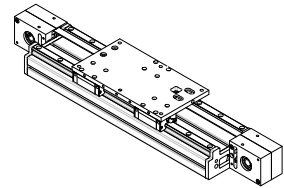
LTY135-TR-S20T-D1

ALMOTION

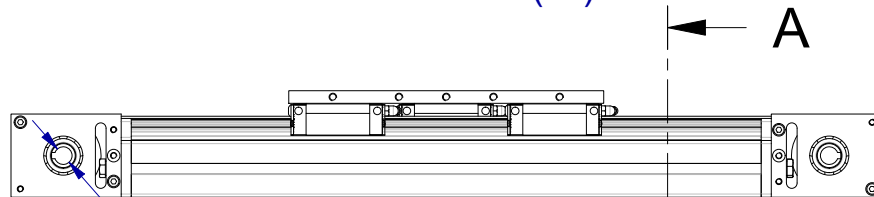
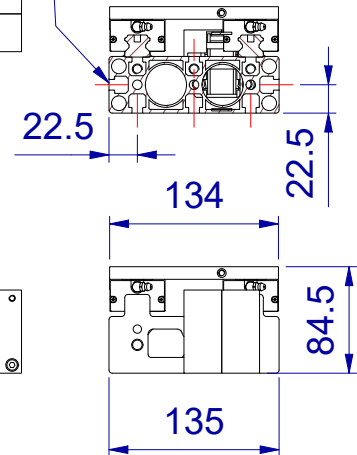
$$L = \text{Stroke} + 441$$



M8x1.25 (6x)



T-slot for M8, M6, M5 Nuts



$\text{Ø}14$ hollow shaft with keyway

LTY135-Tr-S20T-S1

ALMOTION

