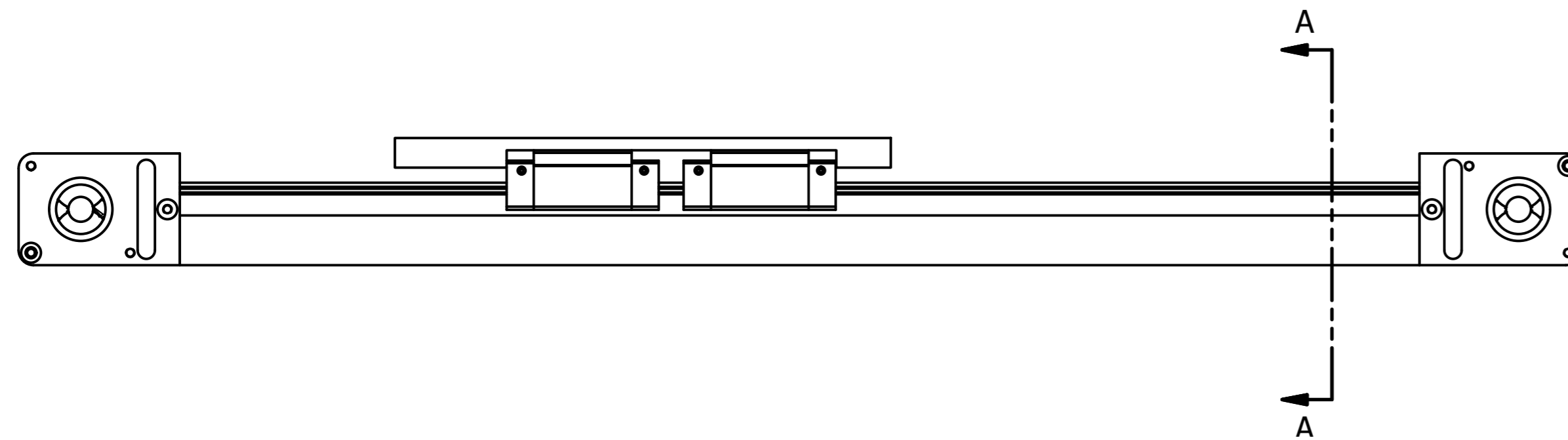
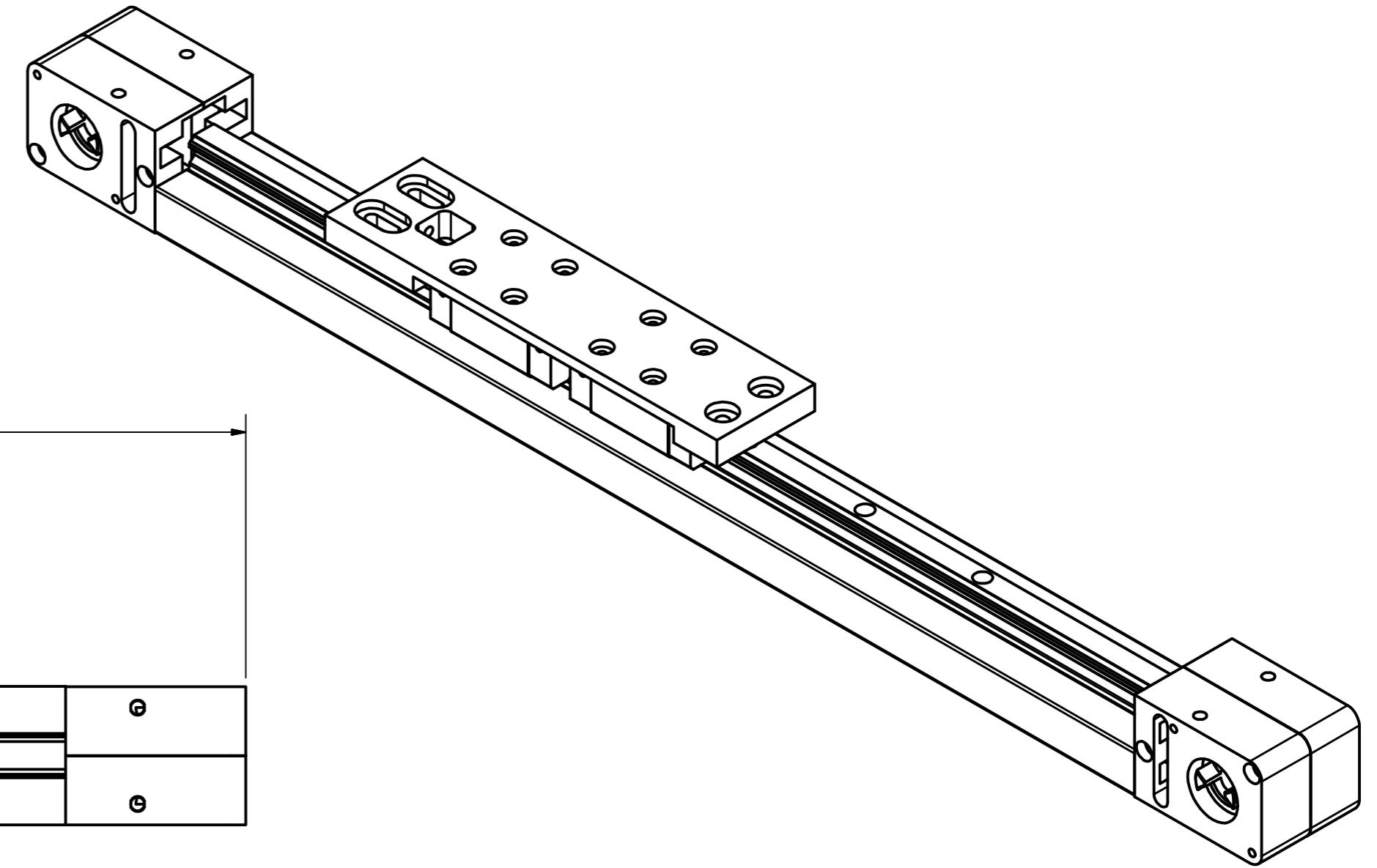
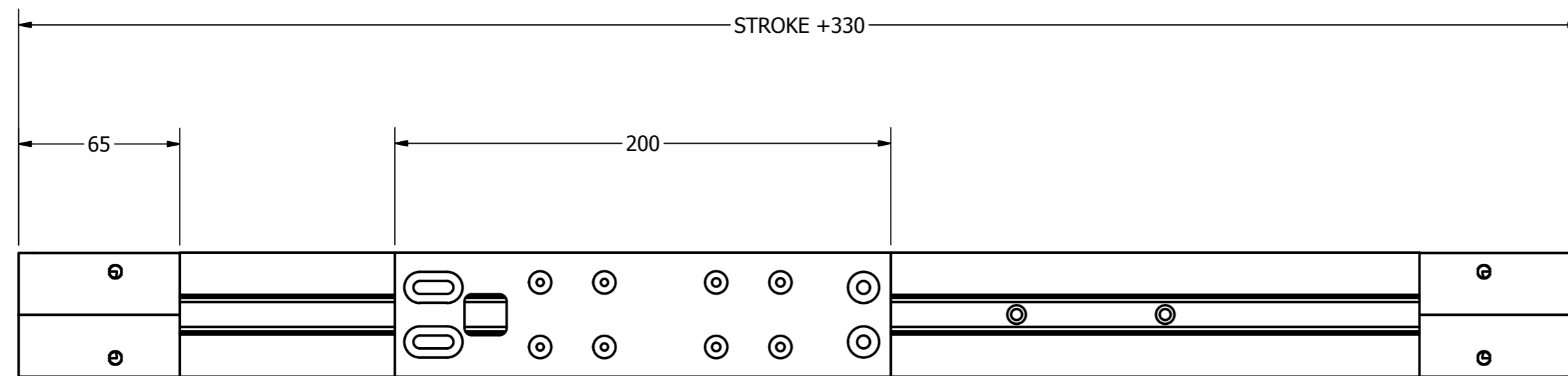


Dimensions LT50-TR-S15D



SECTION A-A

