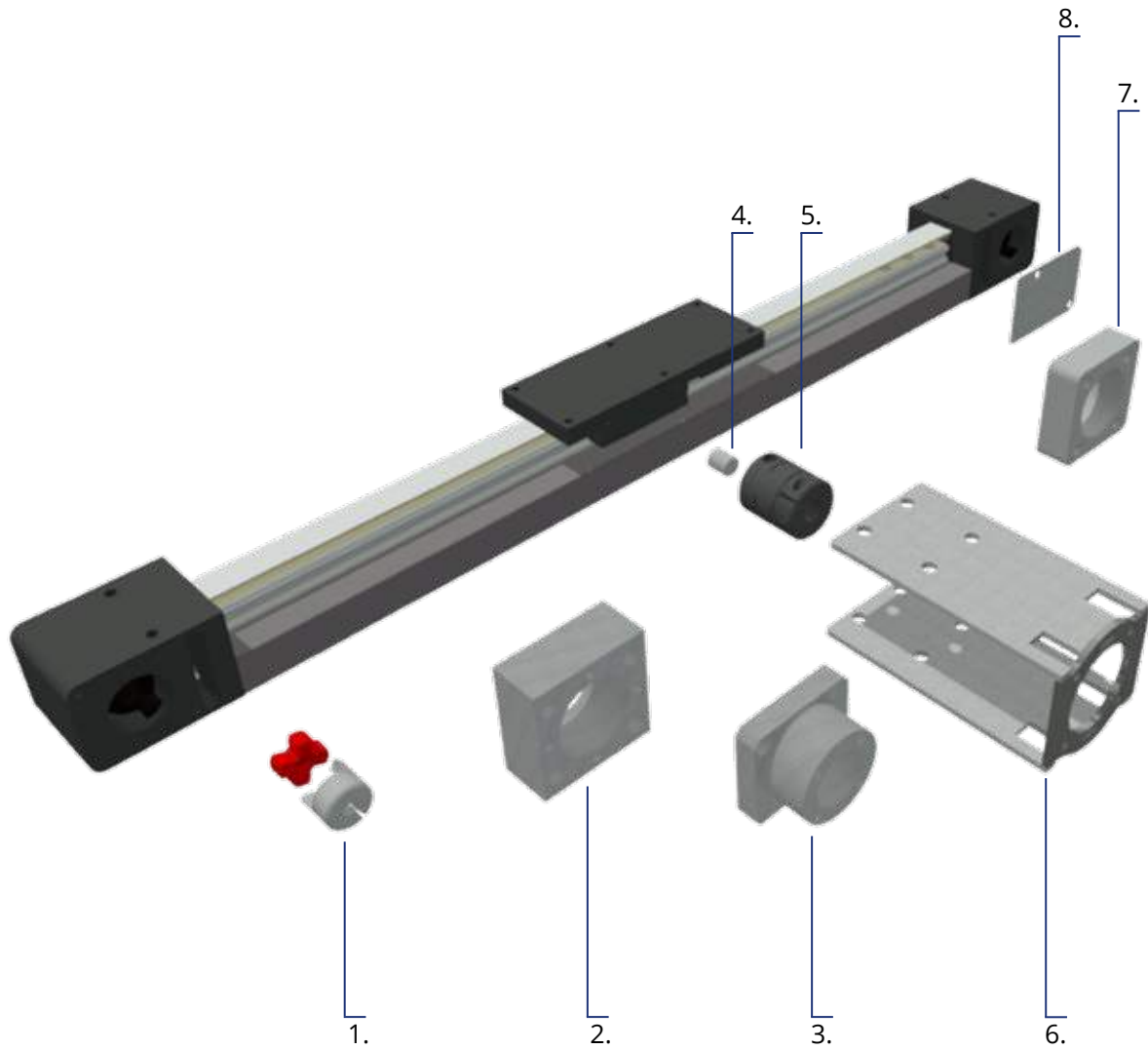


# LT50 SERIES

## MOTOR ACCESSORIES

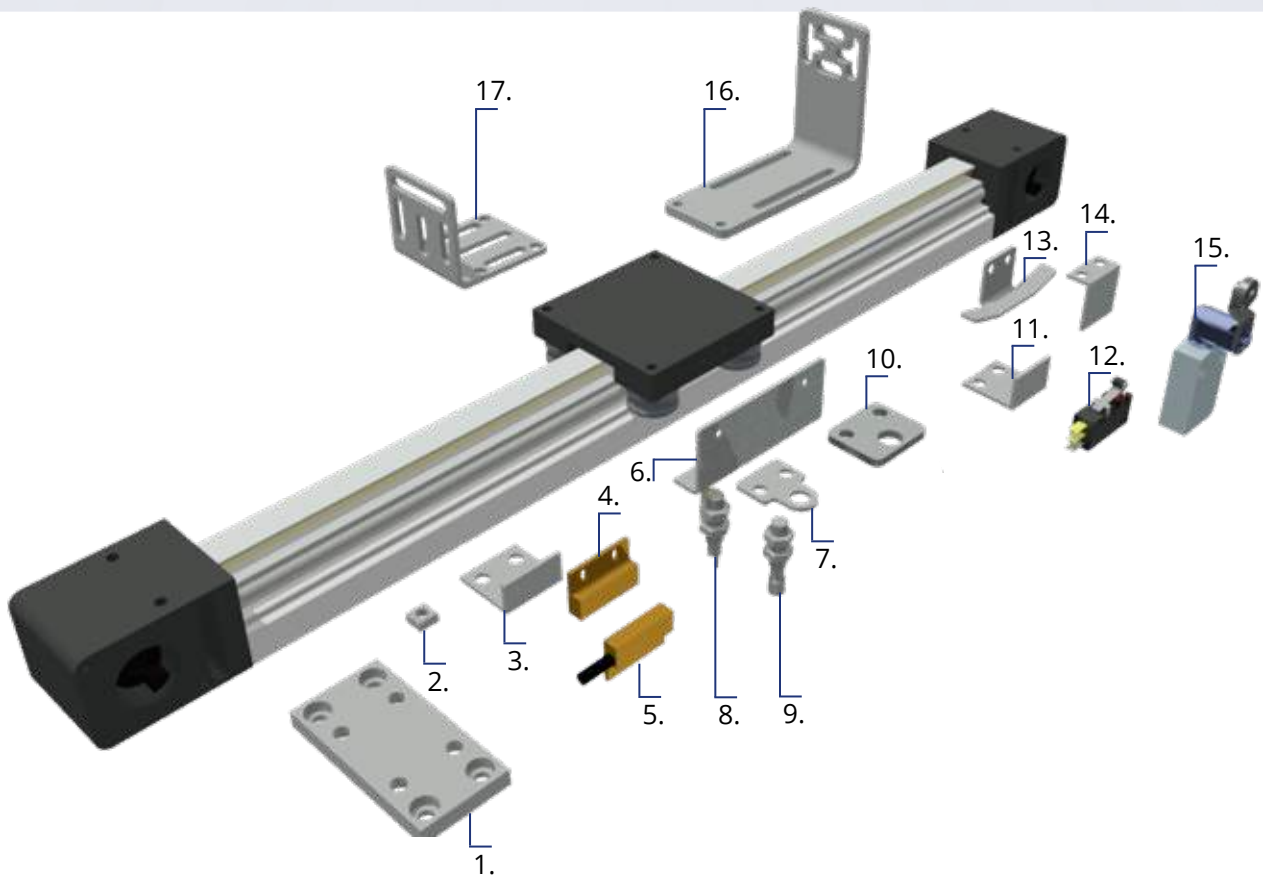


1	Rotex GS9-9/12	Flexible shaft coupling
2	5070-F-XXX	Motor adaptor
3	5070-FL-XXX	Motor adaptor
4	5070-AS10	Interface shaft
5	Rotex GS14-10-14	Flexible shaft coupling
6	5070-F9/14-XXX	Adaptor for motor shaft 14
7	5070-FL-NEMA23	Motor adapter
8	5070-BP	Blank coverplate-ss

All drawings can be downloaded from [www.almotion.nl](http://www.almotion.nl)

# LT50-TR-G8

## ACCESSORIES



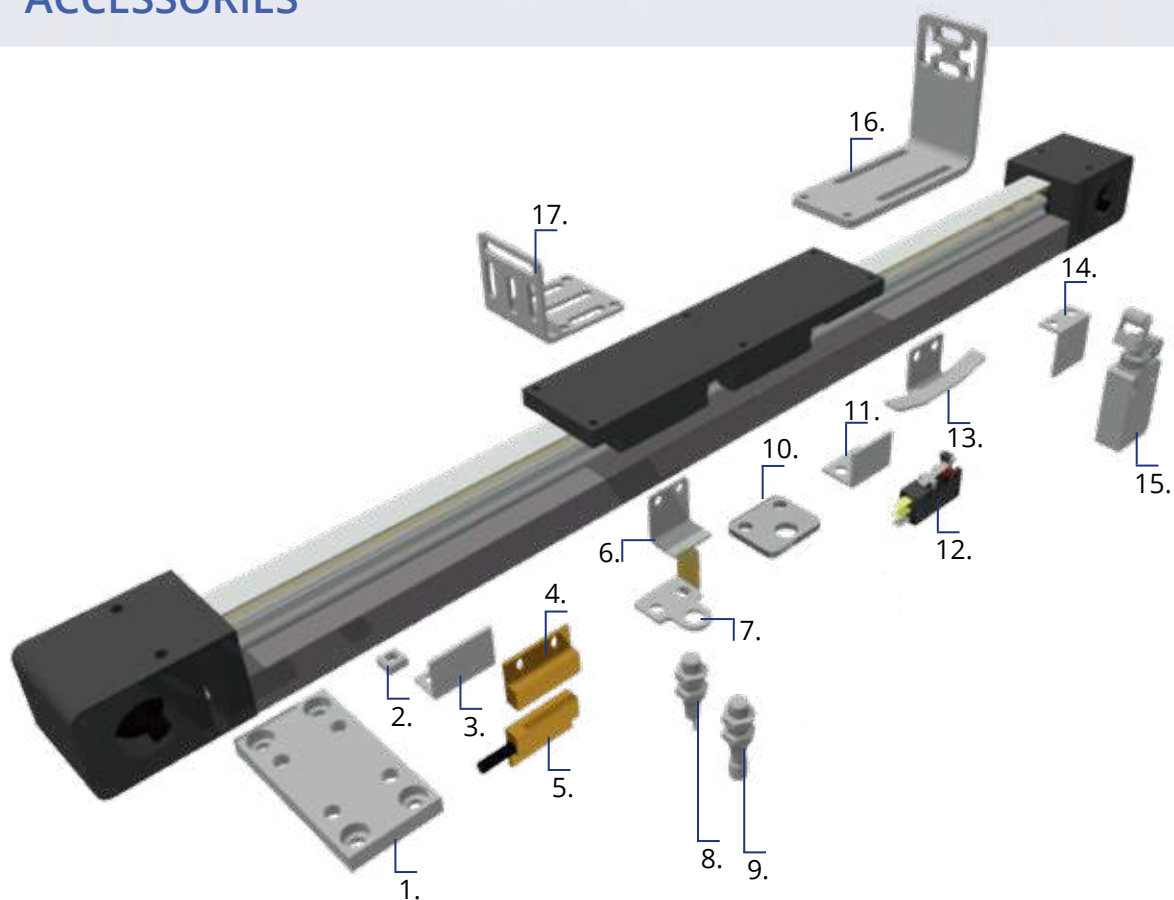
1	5070-MP-W	Mounting bracket
2	50.1330	Square nut M6
3	5070-GM-MAG	Bracket for magnetic sensor
4	1368	Magnet
5	289 Sensor	Reed switch
6	5070-DG-IN-G*	Sensor bracket inductive
7	5070-SG-XS8	Bracket for M8 sensor
8	XS05B1PAL2	M8 inductive sensor-cable
9	XS508B1PAM8	M8 inductive sensor-M8
10	7070-SG-XS12	Bracket for M12 sensor
11	5070-GM-SH	Bracket for switch
12	D3V-166-1C5	Omron switch
13	5070-SD-ME	Bracket for Roll switch
14	5070-SG-SH	Bracket for switch
15	XCMD2117L1	Mechanical switch Roll
16	5070-BB-L	Bracket for endcap mounting
17	5070-HS-50	Bracket for carriage

\* For bracket 6+13 holes need to be drilled.

All drawings can be downloaded from [www.almotion.nl](http://www.almotion.nl)

# LT50-TR-S15(D)

## ACCESSORIES



1	5070-MP-W	Mounting bracket
2	50.1330	Square nut M6
3	5070-GM-MAG-S	Bracket for magnetic sensor
4	1368	Magnet
5	289 Sensor	Reed switch
6	5070-DG-IN*	Sensor bracket inductive
7	5070-SG-XS8	Bracket for M8 sensor
8	XS05B1PAL2	M8 inductive sensor-cable
9	XS508B1PAM8	M8 inductive sensor-M8
10	7070-SG-XS12	Bracket for M12 sensor
11	5070-GM-SH-S	Bracket for switch
12	D3V-166-1C5	Omron switch
13	5070-SD-ME*	Bracket for Roll switch
14	5070-SG-SH	Bracket for switch
15	XCMD2117L1	Mechanical switch Roll
16	5070-BB-L	Bracket for endcap mounting
17	5070-HS-50	Bracket for carriage

\* For bracket 6+13 holes need to be drilled.

All drawings can be downloaded from [www.almotion.nl](http://www.almotion.nl)

Almotion B.V Nijverheidsweg 14 | 6662 NG Elst (Gld) | The Netherlands t +31(0) 491 777 e [info@almotion.nl](mailto:info@almotion.nl)  
[www.almotion.nl](http://www.almotion.nl) | [www.lineairegeleiding.nl](http://www.lineairegeleiding.nl) | [www.lineairegeleidingshop.nl](http://www.lineairegeleidingshop.nl) | [www.linearmotion.nl](http://www.linearmotion.nl)