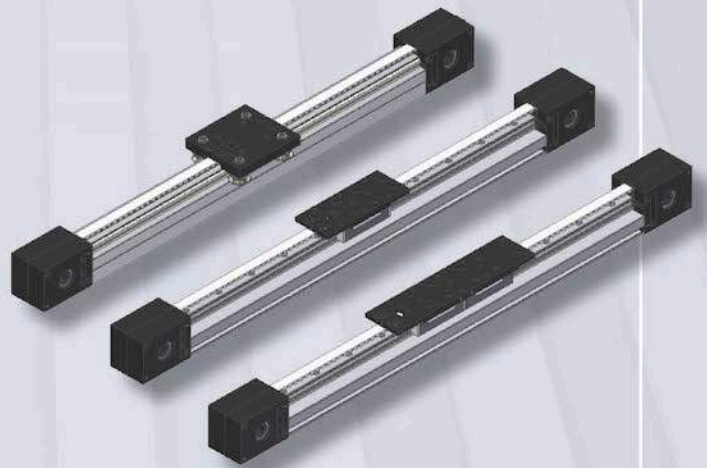


LT2 SERIES

Robust linear units with wheel- or rail guide



- Compact design, the width of the profile is 60 mm
- Guide system of hardened wheels on hardened shafts or recirculating rail guide, size -20-
- Toothed belt type AT10, 16 mm wide
- Double carriage design for high load
- C8 guide wheel system is very resistant to pollution
- Recirculating ball rail guide for heavy loads

TECHNICAL DATA

LT2-TR-C8

LT2-TR-S20

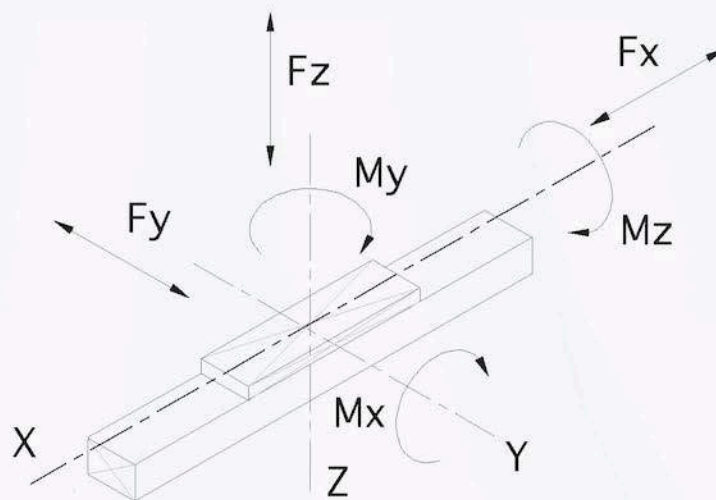
Maximum stroke*	mm	5.500	3.000
Maximum speed	mm/s	5.000	3.000
Maximum acceleration	m/s ²	50	30
No load torque	Nm	0,2	0,6
Repeatability	mm	± 0,1	± 0,1
Movement per revolution	mm	180	180

* longer lengths on request

LT2 SERIES

TECHNICAL DATA

Load capacity		LT2-TR-C8	LT2-TR-S20*	LT2-TR-S20D*
Mx	Nm	5	165	726
My	Nm	6	310	620
Mz	Nm	7	165	726
Fx	N	2.100	2.100	2.100
Fy	N	1.000	4.500	9.000
Fz	N	1.000	4.500	9.000



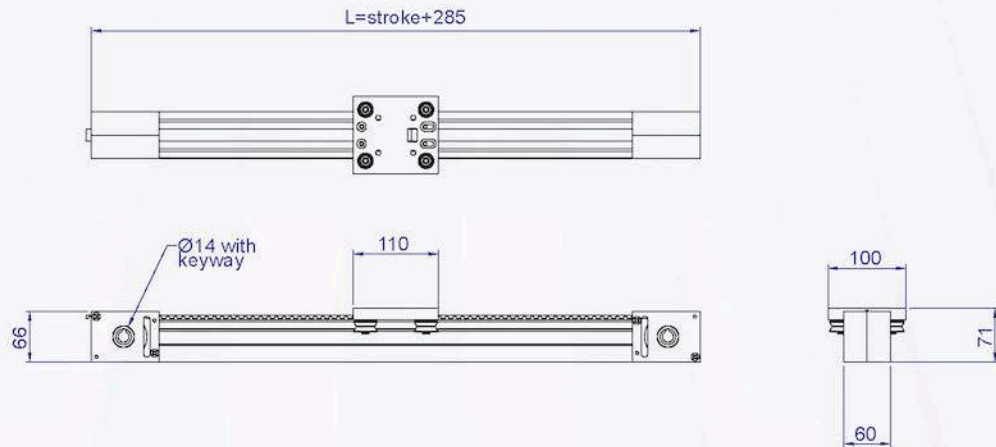
WEIGHTS (KG)

	LT2-TR-C8	LT2-TR-S20	LT2-TR-S20D
Unit weight 0 mm stroke	4,31	4,80	5,31
Weight per 100 mm stroke	0,34	0,40	0,40
Mass of carriage	0,65	0,84	0,99

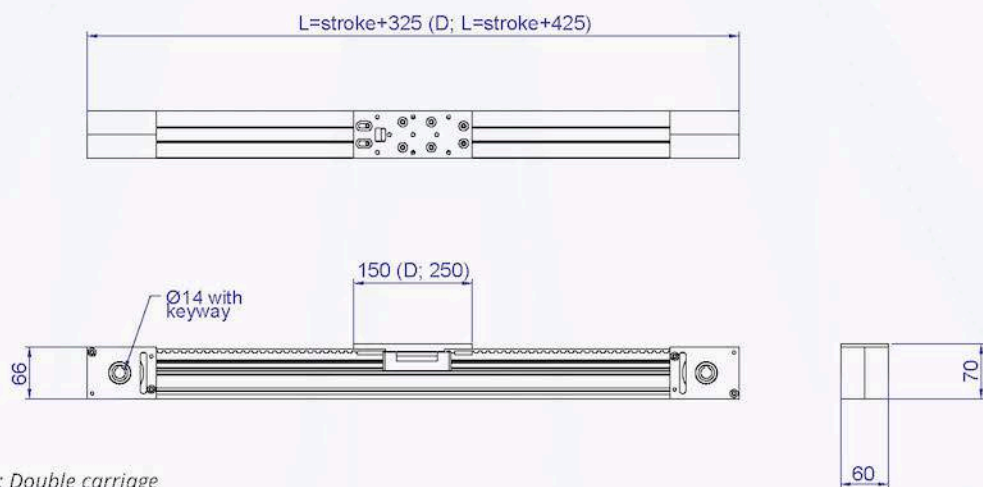
LT2 SERIES

DIMENSIONS

DIMENSIONS LT2-TR-C8



DIMENSIONS LT2-TR-S20 / LT2-TR-S20-D*

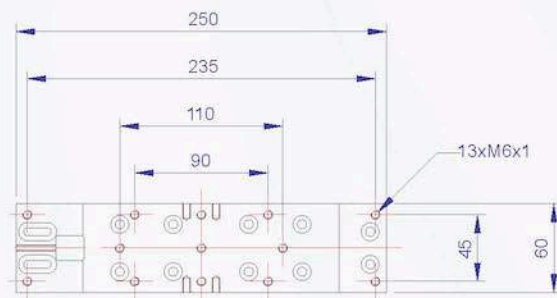
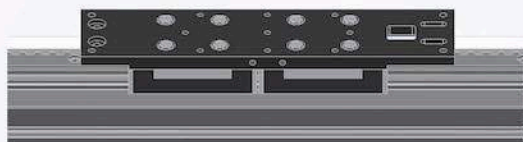
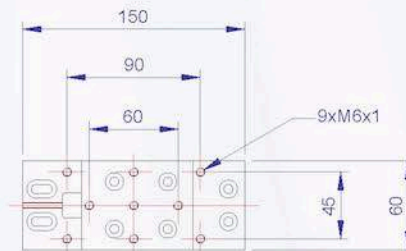
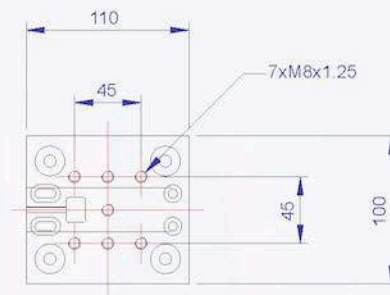
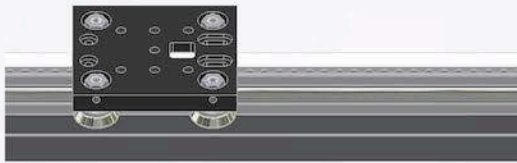


* D: Double carriage

LT2 SERIES

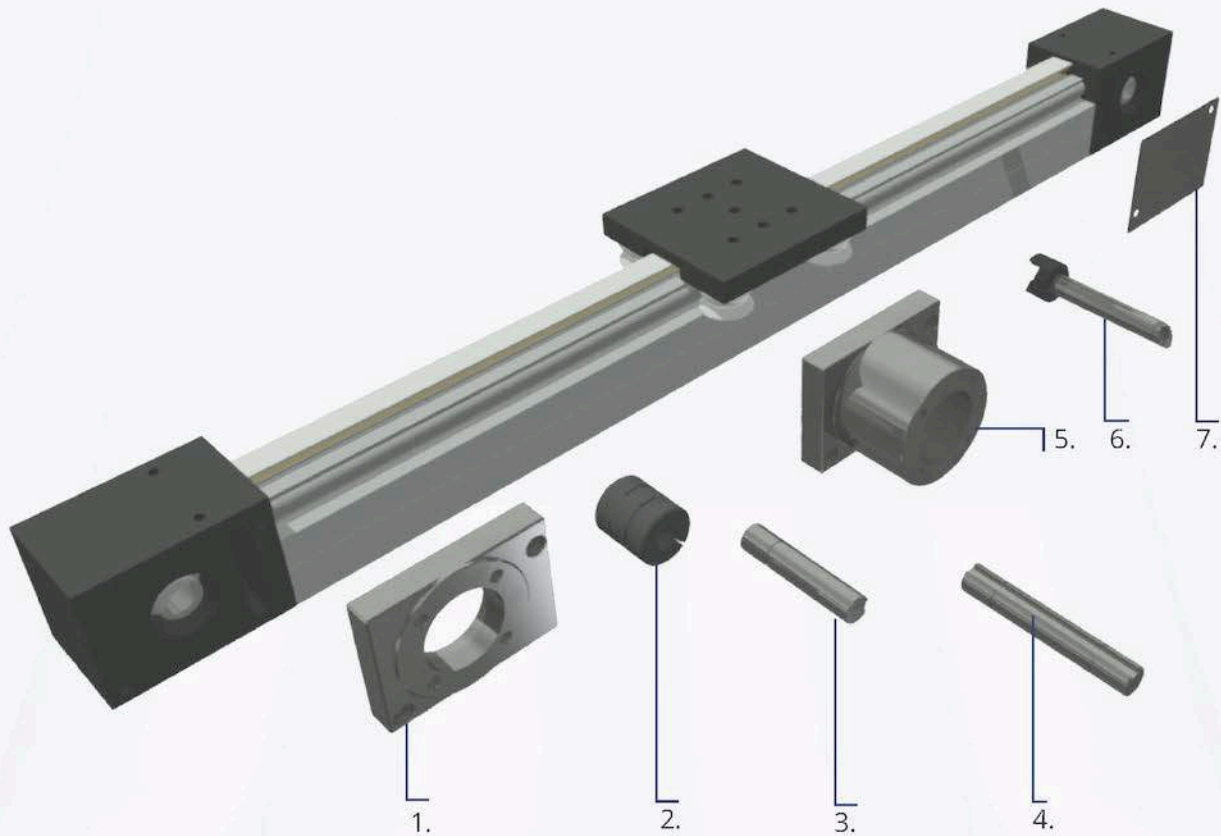
TECHNICAL DATA

CARRIAGE DESIGNS



LT2 SERIES

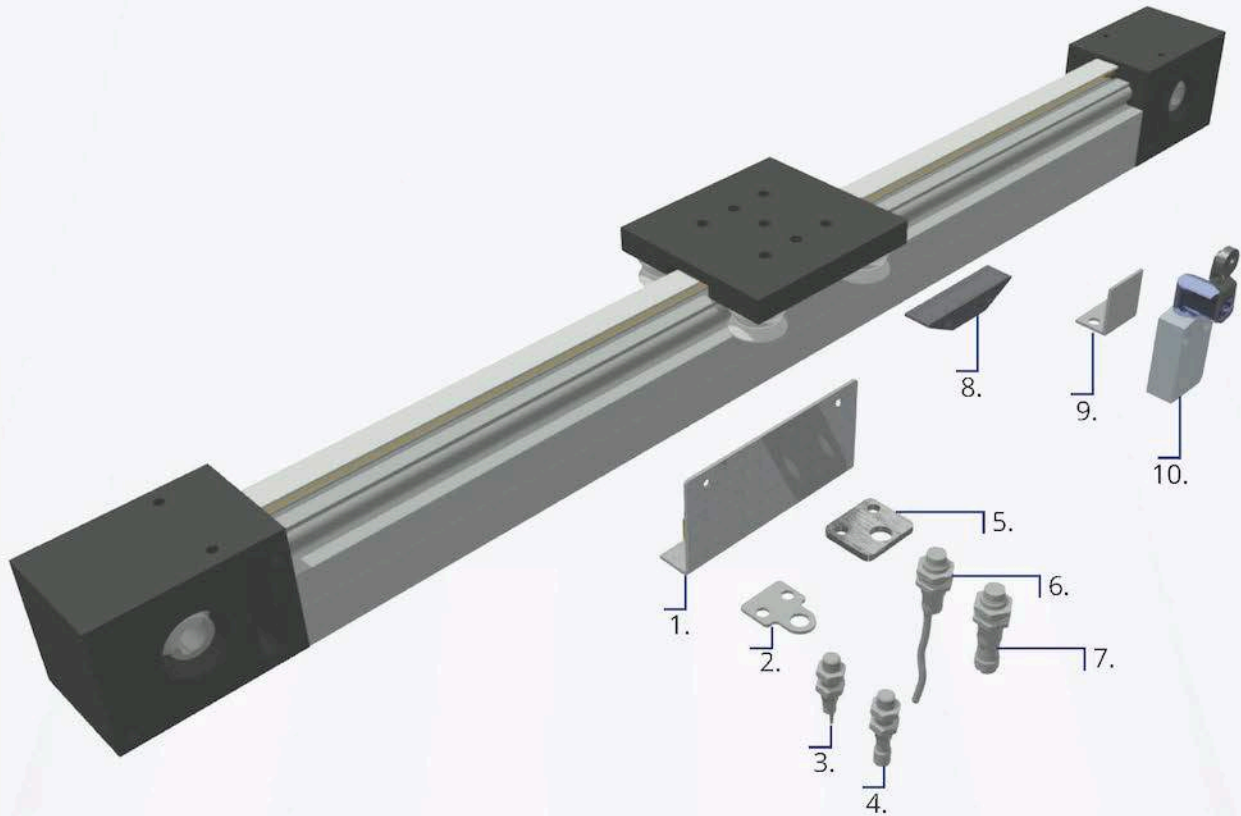
TECHNICAL DATA



1	7070-T-XXX	Motor flange
2	Rotex GS14	Flexible coupling
3	7070-SH-14	Motor shaft 1 side
4	7070-SH-14D	Motor shaft 2 sides
5	7070-FL-XX	Motor adapter
6	7070-VA-14-XXX	Coupling shaft
7	7070-BP	Blanking cover plate

LT2-TR-C8

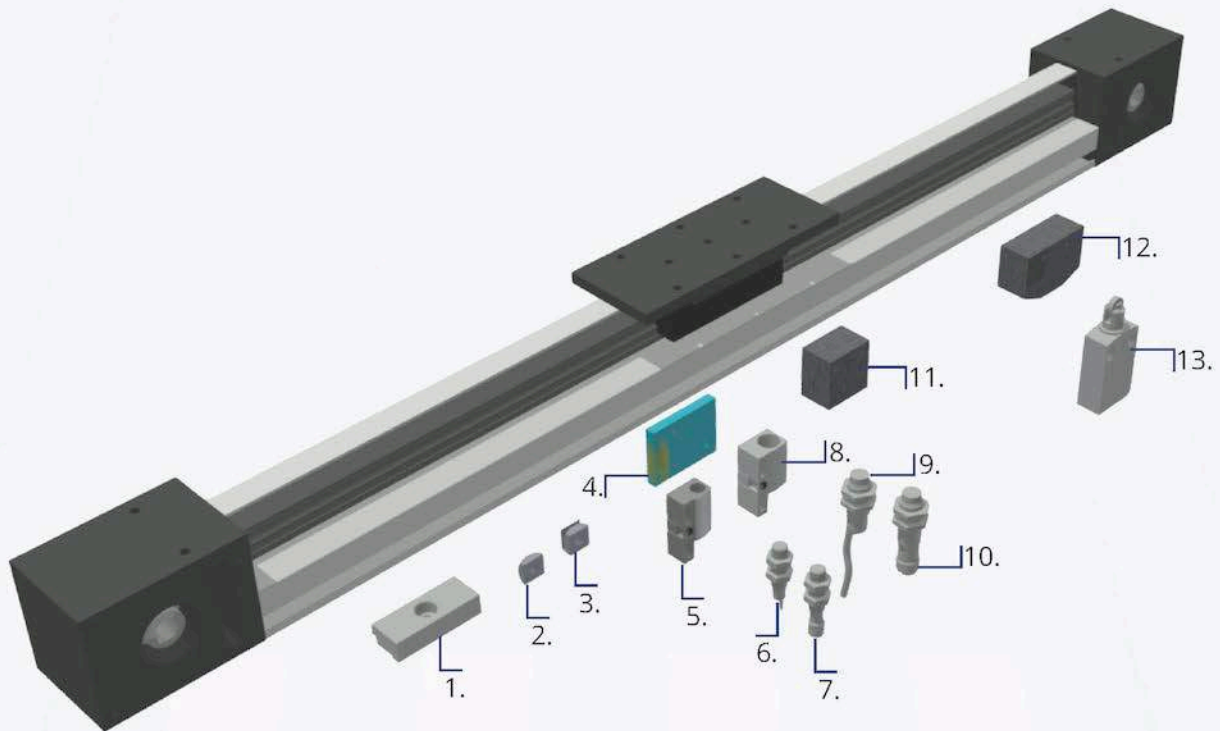
ACCESSORIES



1	7070-DG8-IN	Sensor bracket
2	7070-SG-XS8	Bracket for M8 sensor
3	XS05B1PAL2	M8 inductive sensor-cable
4	XS508B1PAM8	M8 inductive sensor-M8
5	7070-SG-XS12	Bracket for M12 sensor
6	XS212b4pal	M12 inductive sensor-cable
7	XS212b4pbm	M12 inductive sensor-M8
8	7070-SG-ME	Bracket for roll switch
9	7070-SA-SH	Bracket for switch
10	XCMD2117L1	Mechanical switch roll

LT2-TR-S20(D)

ACCESSORIES



1	70121	Clamping bracket
2	21.1347	Square nut M5
2	21.1330	Square nut M6
2	21.1351	Square nut M8
3	21.1347F	Square nut with Fix M5
3	21.1330F	Square nut with Fix M6
3	21.1351F	Square nut with Fix M8
4	7070-SH-XS	Bracket for Telem. bracket
5	XSZB108	Bracket for M8 sensor
6	XS05B1PAL2	M8 inductive sensor-cable
7	XS508B1PAM8	M8 inductive sensor-M8
8	XSZB112	Bracket for M12 sensor
9	XS212b4pal	M12 inductive sensor-cable
10	XS212b4pbm	M12 inductive sensor-M8
11	7070-DB4-IN	Sensor bracket
12	7070-SD-ME	Switch bracket
13	XCMD2102L	Switch with roll