

**AS Series**

**Flow Control Valves**



**Symbol**



**Technical data**

<b>Model</b>	<b>AS1000</b>	<b>AS2000~4000</b>
<b>Proof pressure</b>	1.05MPa	1.5MPa
<b>Max. working pressure</b>	0.7MPa	1.0MPa
<b>Min. working pressure</b>	0.1MPa	0.05MPa
<b>Ambient and temperature</b>	0~60°C	
<b>Number of needle rotation</b>	10	*8~9

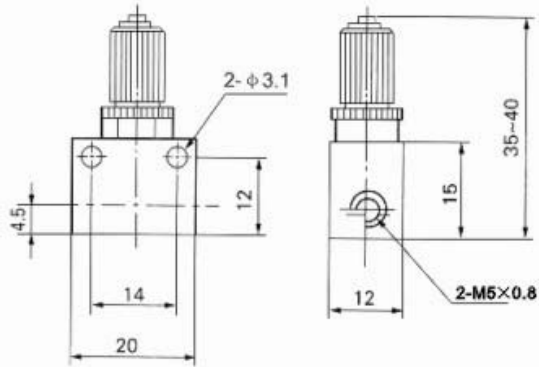
Model	Port size	Free Flow		Controlled Flow		Weight(g)
		* Flow (L/min)	Effective area (mm <sup>2</sup> )	* Flow (L/min)	Effective area (mm <sup>2</sup> )	
AS1000-M5	M5 × 0.8	90	1.4	80	1.2	33
AS2000-01	G1/8	340	5.2	250	3.8	90
AS2000-02	G1/4					115
AS3000-02	G1/4	810	12.3	810	12.3	130
AS3000-03	G3/8					
AS4000-02	G1/4	1670	25.5	1670	25.5	205
AS4000-03	G3/8					
AS4000-04	G1/2					

\*Flow rate values are measured at 0.5MPa and 20°C

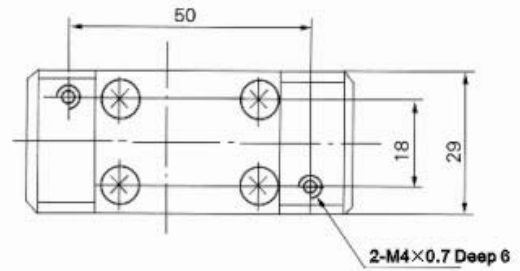


**Dimensions(mm)**

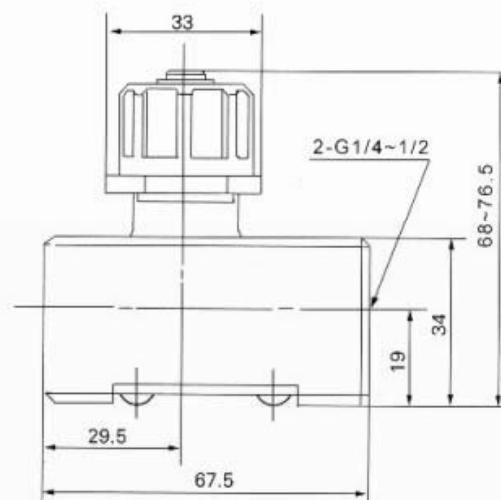
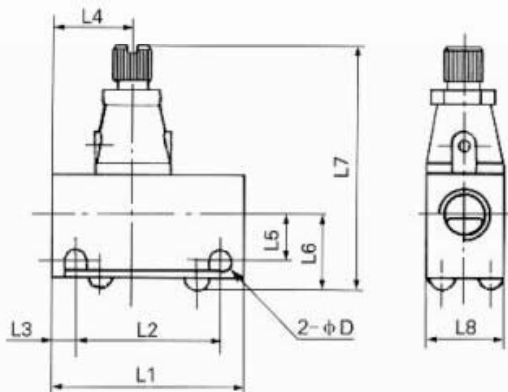
**AS1000-M5**



**AS4000**



**AS2000~3000**



Model	Pipe size	L1	L2	L3	L3	L5	L6	L7	L8	D
AS2000-01	G1/8	40	30	5	17	10	55.5	50~54.5	16	4.5
AS2000-02	G1/4	40	30	5	23	11.5	17	51.5~56	20	4.5
AS3000-02	G1/4	56	45.5	5.25	25	13.2	21	62~69	26	5.5
AS3000-03	G3/8									

