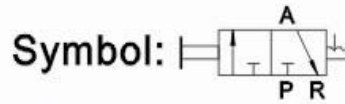


### 3L Series Hand Push Pull Valve

**Technical data**

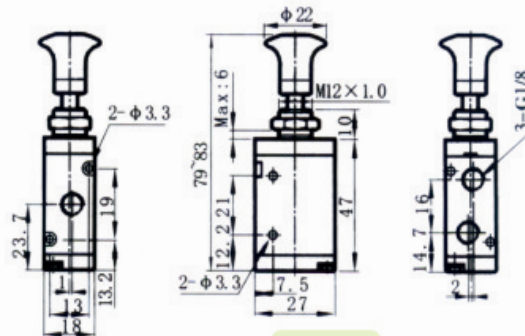
Type	3L110-06	3L210-08	3L310-10
Medium	Air		
Position number	2 Position 3 Way		
Port size(G)	1/8"	1/4"	3/8"
CV	12(0.67)	16(0.89)	30(1.67)
Applicable pressure(MPa)	0~8		
Proof pressure(MPa)	12		
Ambient temperature	-5~60°C		



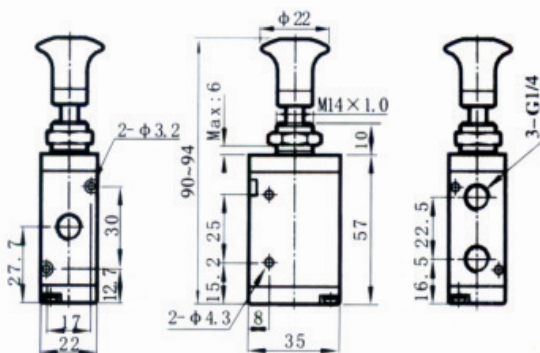
**How to Order**



**3L110**



**3L210**



**3L310**

