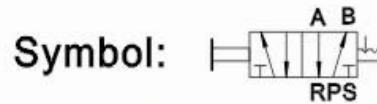


# 4L Series Hand Push Pull Valve

## Technical data

Type	4L110-06	4L210-08	4L310-10
Medium	Air		
Position number	2 Position 5 Way		
Port size(G)	1/8"	1/4"	3/8"
CV	12(0.67)	16(0.89)	30(1.67)
Applicable pressure(MPa)	0~8		
Proof pressure(MPa)	12		
Ambient temperature	-5~60°C		



## How to Order

**4L**

4L Series:  
2- Position 5- Way Pull Valve

**1**

1:100 Series  
2:200 Series  
3:300 Series

**10**

Position number  
10:Double positions

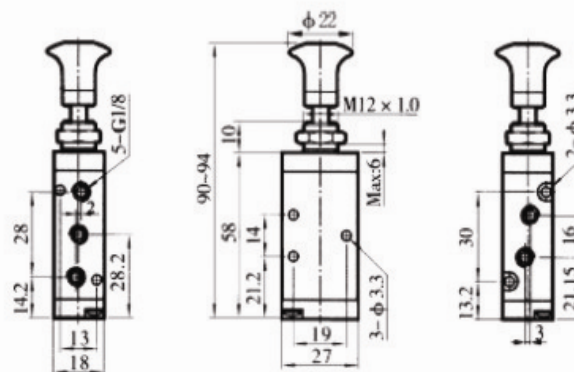
-

**06**

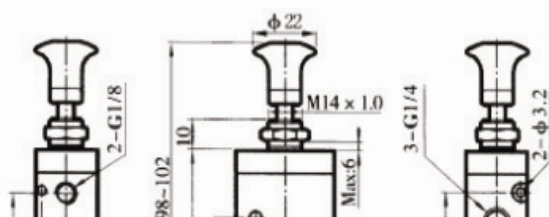
Port Size  
06:G1/8"  
08:G1/4"  
10:G3/8"

## Dimensions(mm):

**4L110**



**4L210**



**4L310**

