

PULSE SOLENOID VALVECONTENT

R11 Series , Thread Style

R21 Series , Thread Style

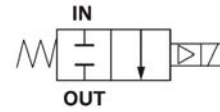
R21-DDR Series , Tube Style

R31-Y Series , In-line Style

Subject to change without notice, for updated information, please visit www.pneumission.com.



R11 Series, Thread Style



Compatible Fluid

Air

Fluid Temperature

- -4°F to 185°F , -20°C to 85°C

Pressure

- Min. Pressure Difference: 0.3Mpa
- Max. Pressure Difference: 0.8Mpa

Port Size

- 3/4",1"

Port Thread

NPT,BSPT,BSPP,UNF

Orifice

- 20、25mm

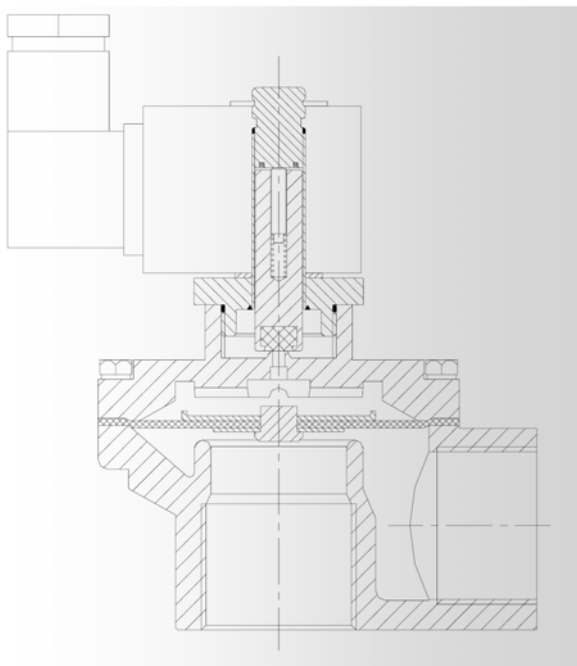
Voltage

- DC -24V
- AC - 24V, 120V, 240V@60HZ; 110V, 220V@50HZ
- Tolerance: +/- 10%



Available Coils & Power Consumption

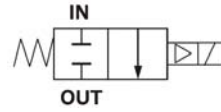
- SS1B, 22VA(AC), 17W(DC), IP65,100%ED



Material

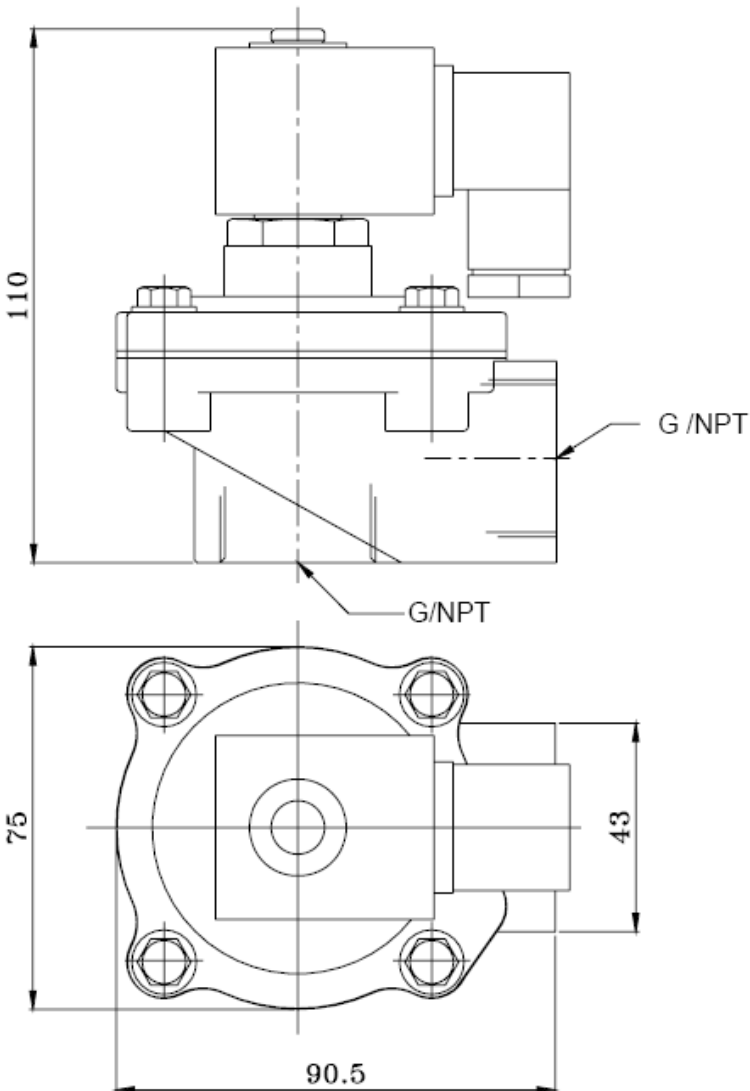
- Body– Aluminum
- Sleeve Tube - Stainless Steel
- Stop -Stainless Steel
- Springs - Stainless Steel
- Shading Rings - Stainless Steel
- Seal -NBR. EPDM. VITON

R11-20,25

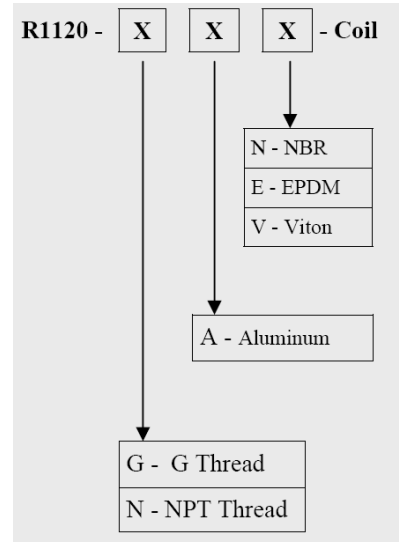


Port Size	Orifice	Cv	Min Pressure	Max Pressure		Seals Material	Body Material	Valve Body	Coil
				AC(22VA)	DC(17W)				
3/4"	20	12	0.3MPa	0.8MPa	0.8MPa	NBR, EPDM, or VITON	Aluminum	R1120 X X X	SS1B
1"	25	12	0.3MPa	0.8MPa	0.8MPa			R1120X X X	SS1B

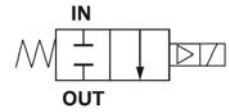
R11-20, 25



Determine Valve Body Code



R21 Series, Thread Style



Compatible Fluid

Air

Fluid Temperature

- -4°F to 185°F , -20°C to 85°C

Pressure

- Min. Pressure Difference: 0.3Mpa
- Max. Pressure Difference: 0.8Mpa

Port Size

- 1-1/2", 2-1/2"

Port Thread

NPT,BSPT,BSPP,UNF

Orifice

- 40、 50、 65mm

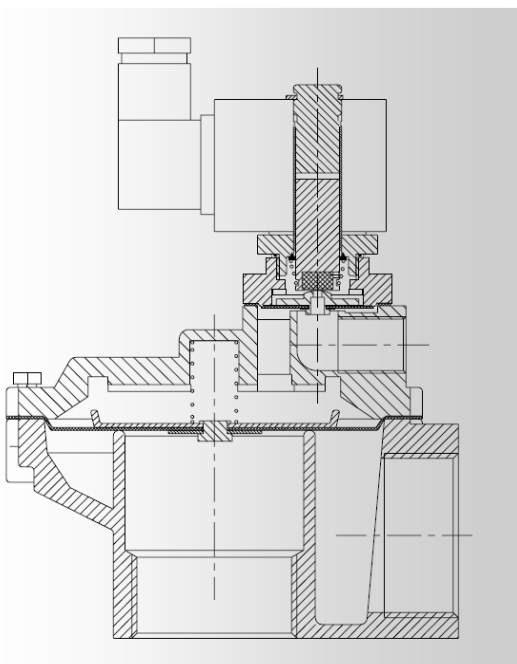
Voltage

- DC -24V
- AC - 24V, 120V, 240V@60HZ; 110V, 220V@50HZ
- Tolerance: +/- 10%



Available Coils & Power Consumption

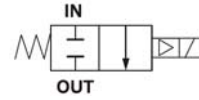
- SS1B, 22VA(AC), 17W(DC), IP65,100%ED



Material

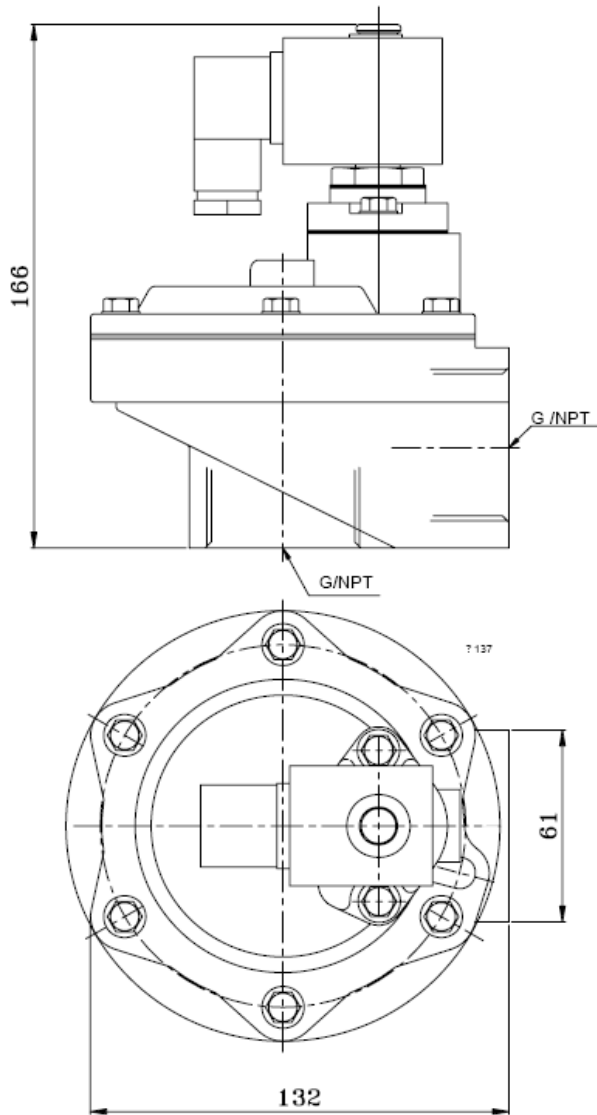
- Body– Aluminum
- Sleeve Tube - Stainless Steel
- Stop -Stainless Steel
- Springs - Stainless Steel
- Shading Rings - Stainless Steel
- Seal -NBR. EPDM. VITON

R21- 40,50,65

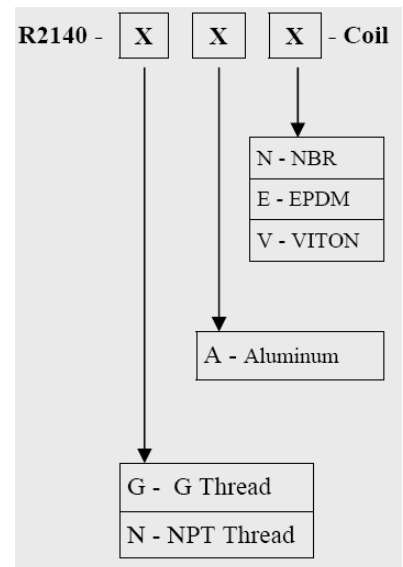


Port Size	Orifice	Cv	Min Pressure	Max Pressure		Seals Material	Body Material	Valve Body	Coil
				AC(22VA)	DC(17W)				
1 1/2"	40	29	0.3MPa	0.8MPa	0.8MPa	NBR, EPDM, or VITON	Aluminum	R2140 X XX	SS1B
2 "	50	48	0.3MPa	0.8MPa	0.8MPa			R2150X X X	SS1B
2 1/2"	65	68	0.3MPa	0.8MPa	0.8MPa			R2165X X X	SS1B

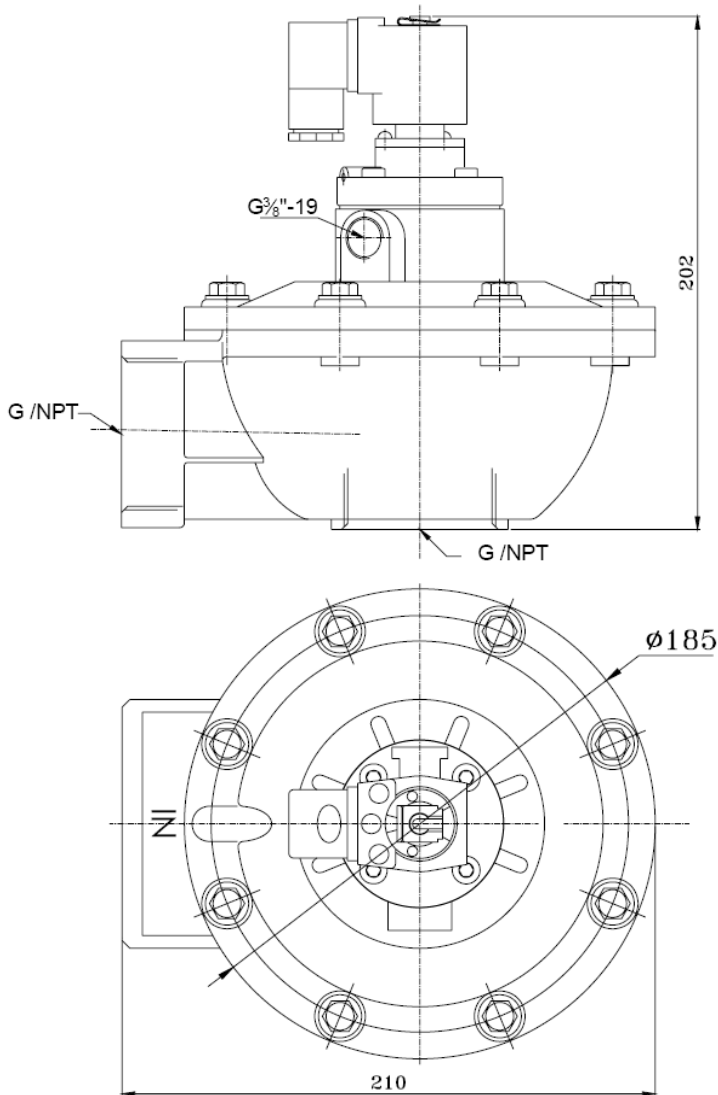
R21-40



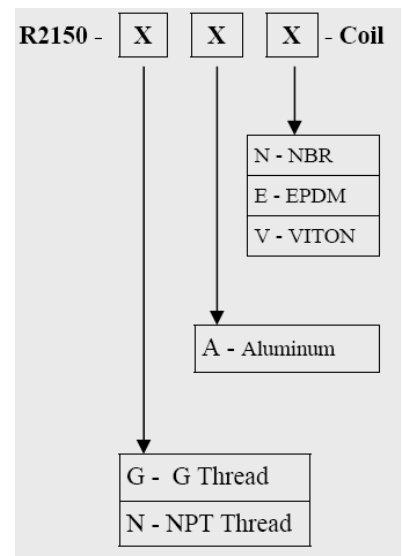
Determine Valve Body Code



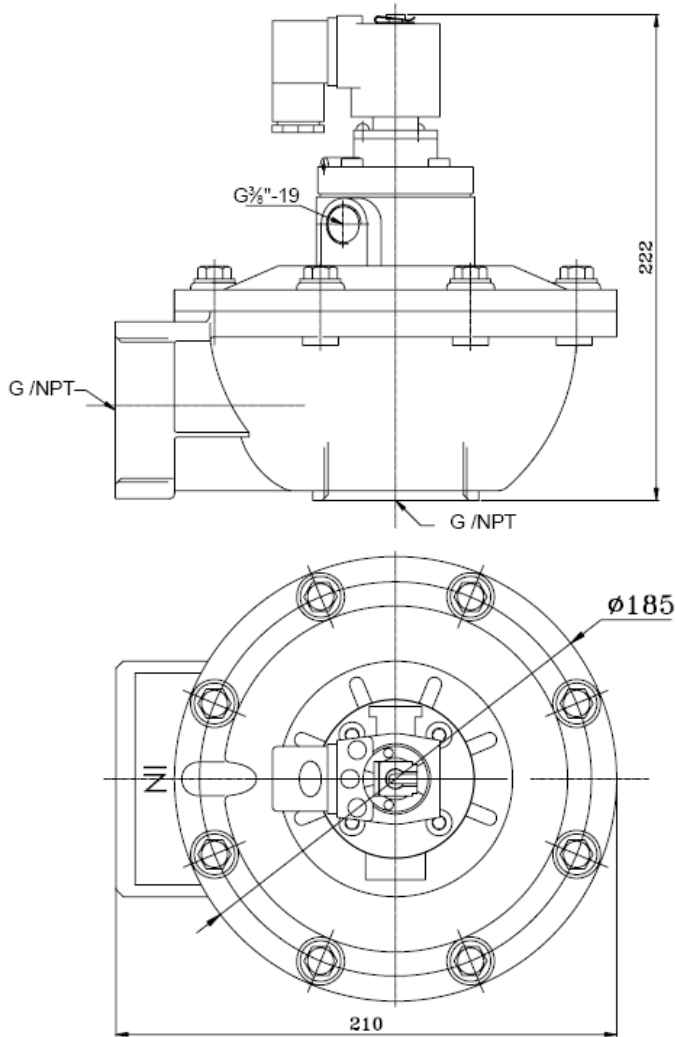
R21-50



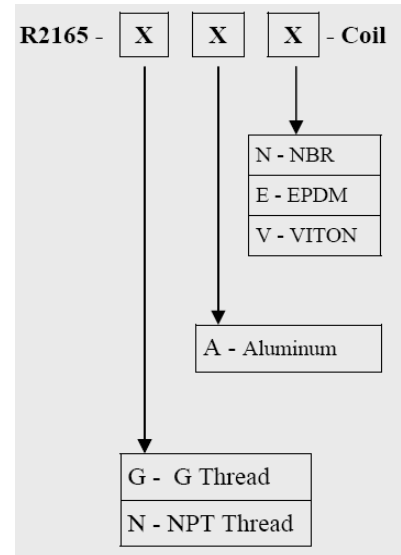
Determine Valve Body Code



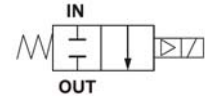
R21-65



Determine Valve Body Code



GR21-DDR Series, Tube Style



Compatible Fluid

Air

Fluid Temperature

- -4°F to 185°F , -20°C to 85°C

Pressure

- Min. Pressure Difference: 0.3Mpa
- Max. Pressure Difference: 0.8Mpa

Port Size

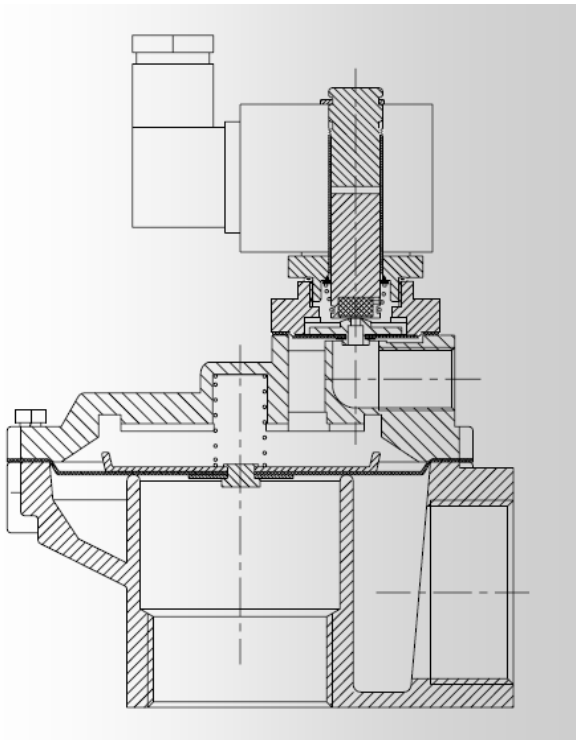
- 1", 1-1/2"

Orifice

- 25、 45mm

Voltage

- DC -24V
- AC - 24V, 120V, 240V@60HZ; 110V, 220V@50HZ
- Tolerance: +/- 10%



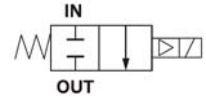
Available Coils & Power Consumption

- SS1B, 22VA(AC), 17W(DC), IP65,100%ED

Material

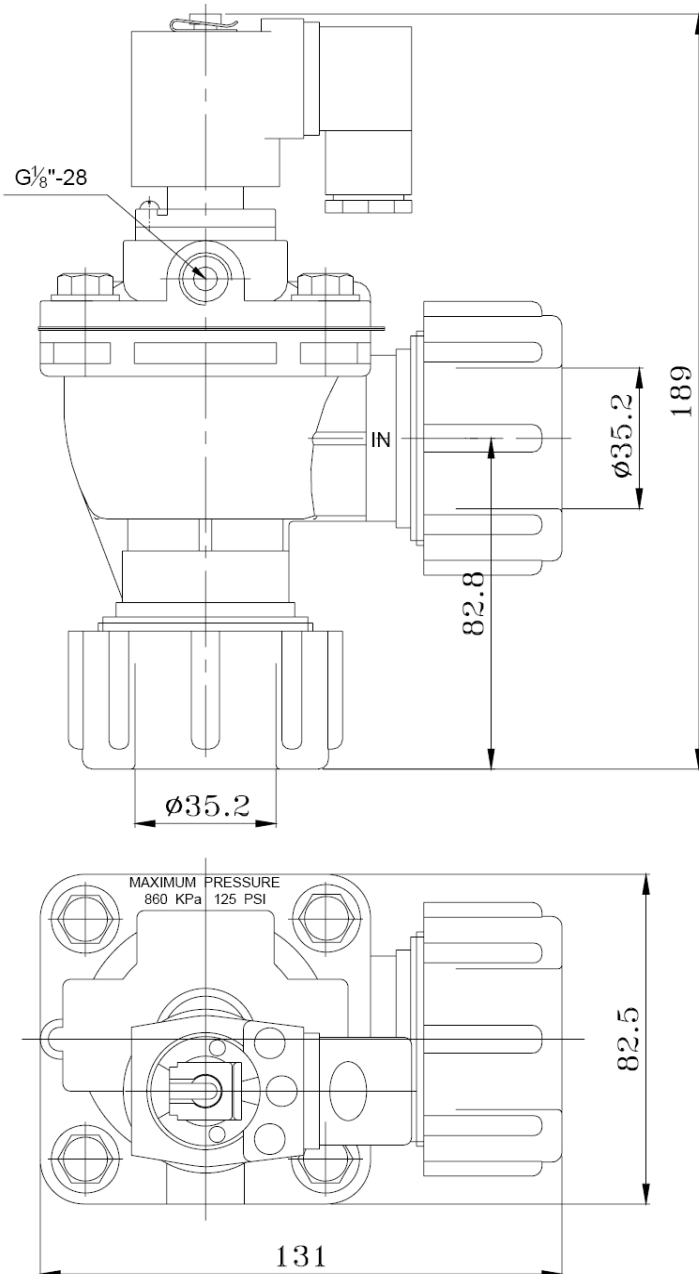
- Body– Aluminum
- Sleeve Tube - Stainless Steel
- Stop -Stainless Steel
- Springs - Stainless Steel
- Shading Rings - Stainless Steel
- Seal -NBR. EPDM. VITON

R21- 25DDR,45DDR

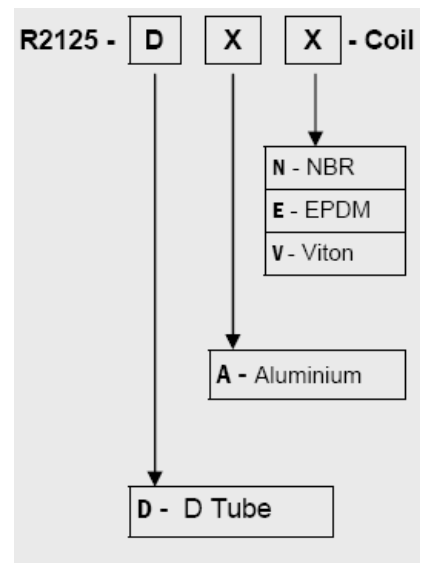


Port Size	Orifice	Cv	Min Pressure	Max Pressure		Seals Material	Body Material	Valve Body	Coil
				AC(22VA)	DC(17W)				
1"	25	12	0.3MPa	0.8MPa	0.8MPa	NBR, EPDM, or VITON	Aluminum	R2125D X X	SS1B
1-1/2"	45	30	0.3MPa	0.8MPa	0.8MPa			R2145D X X	SS1B

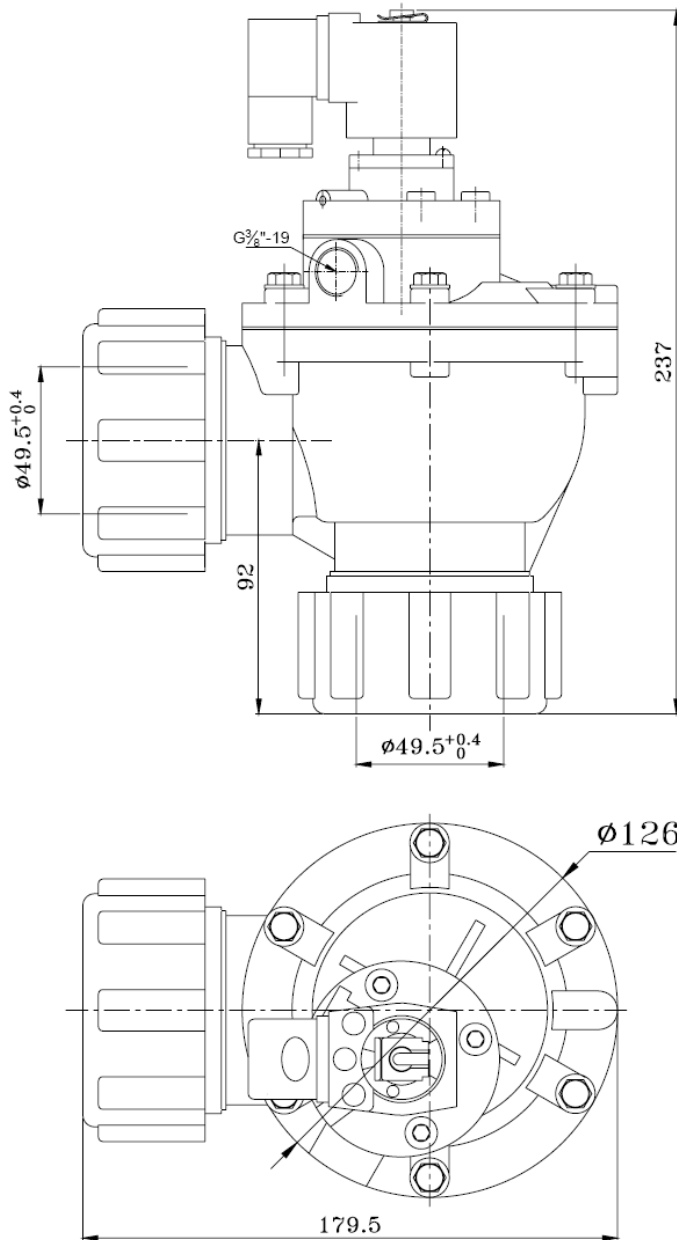
R21-25DDR



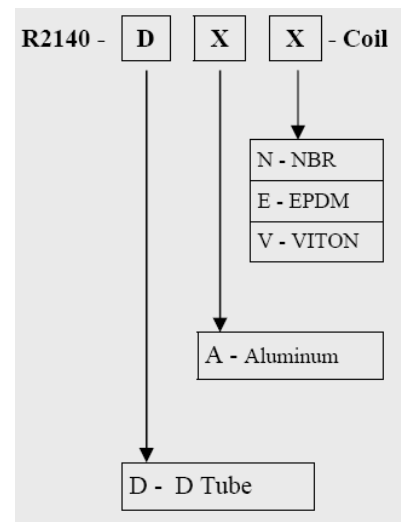
Determine Valve Body Code



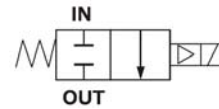
R21-45DDR



Determine Valve Body Code



R31-Y Series, In-line Style



Compatible Fluid

Air

Fluid Temperature

- -4°F to 185°F , -20°C to 85°C

Pressure

- Min. Pressure Difference: 0.3Mpa
- Max. Pressure Difference: 0.8Mpa

Port Size

- 2", 2-1/2", 3"

Port Thread

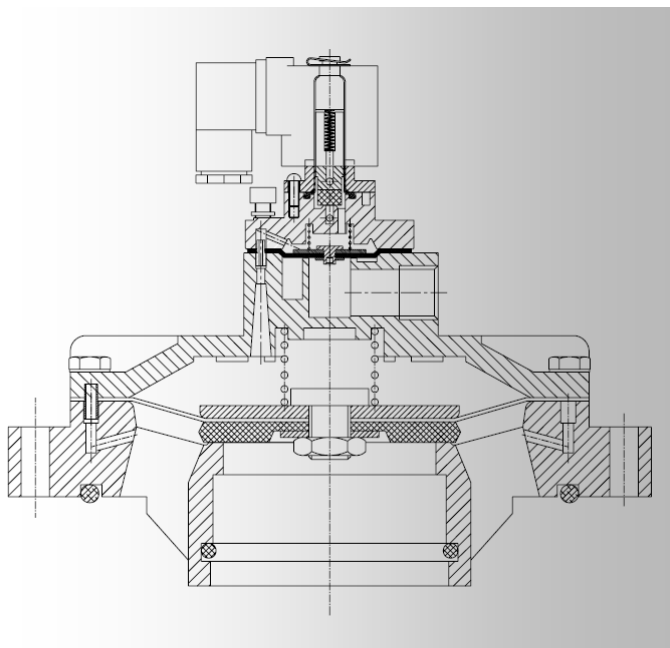
NPT, BSPT, BSPP, UNF

Orifice

- 50、65、75mm

Voltage

- DC -24V
- AC - 24V, 120V, 240V@60HZ; 110V, 220V@50HZ
- Tolerance: +/- 10%



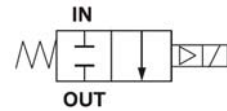
Available Coils & Power Consumption

- SS1B, 22VA(AC), 17W(DC), IP65, 100%ED

Material

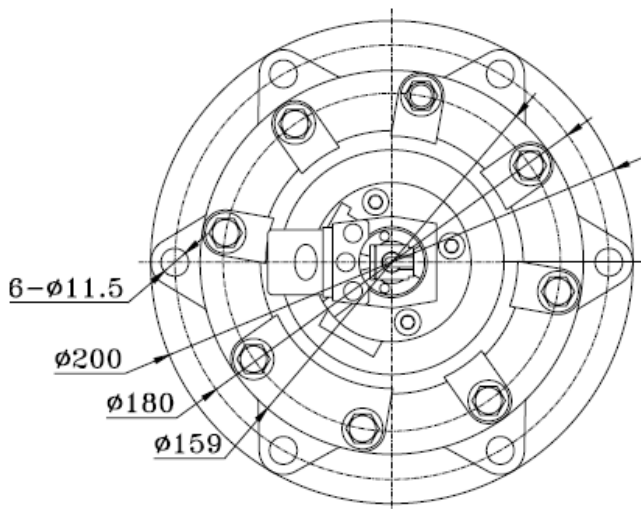
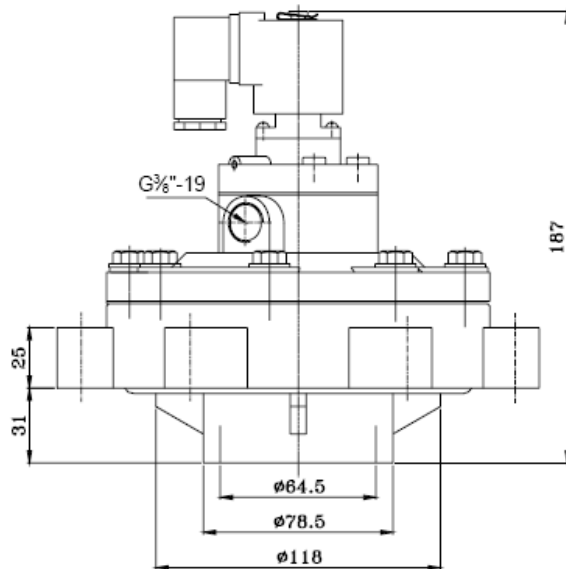
- Body– Aluminum
- Sleeve Tube - Stainless Steel
- Stop -Stainless Steel
- Springs - Stainless Steel
- Shading Rings - Stainless Steel
- Seal -NBR. EPDM. VITON

R31- 50Y,65Y,76Y

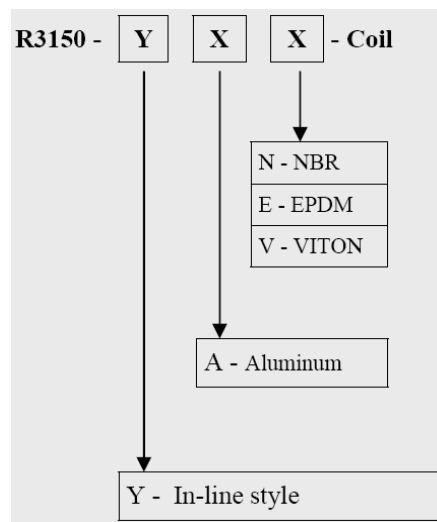


Port Size	Orifice	Cv	Min Pressure	Max Pressure		Seals Material	Body Material	Valve Body	Coil
				AC(22VA)	DC(17W)				
2"	50	48	0.3MPa	0.8MPa	0.8MPa	NBR, EPDM, or VITON	Aluminum	R3150YX X	SS1B
2-1/2"	62	68	0.3MPa	0.8MPa	0.8MPa			R3165Y X X	SS1B
3"	76	100	0.3MPa	0.8MPa	0.8MPa			R3176Y X X	SS1B

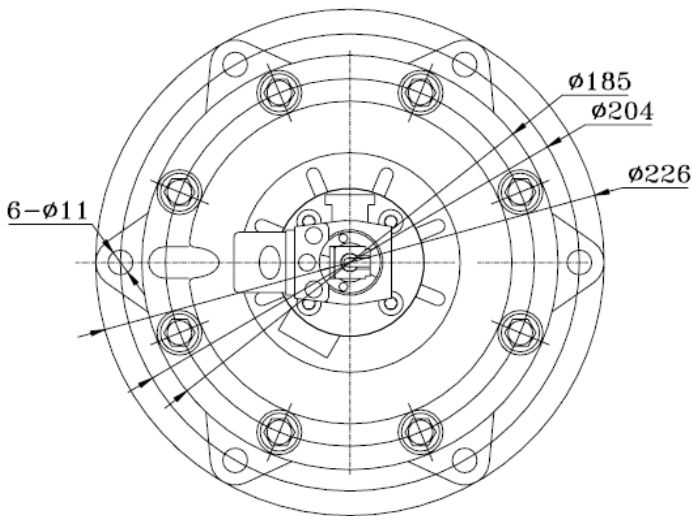
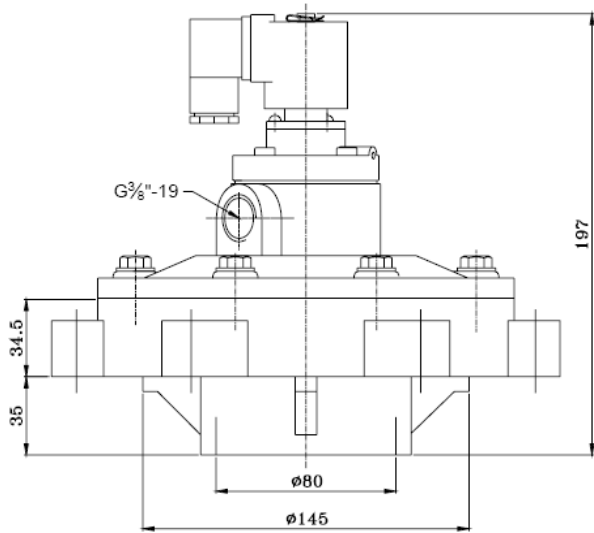
R31-50Y



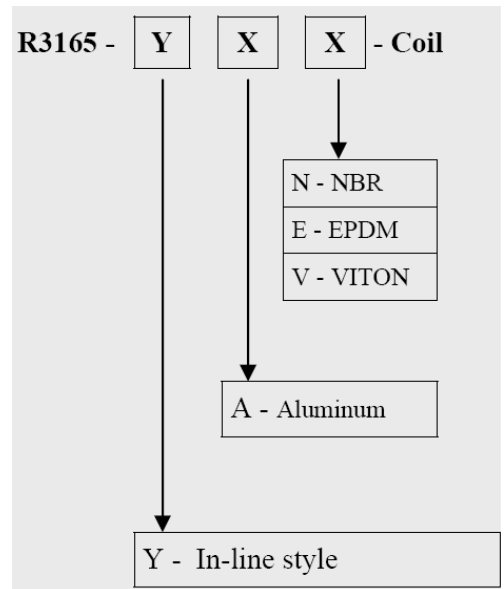
Determine Valve Body Code



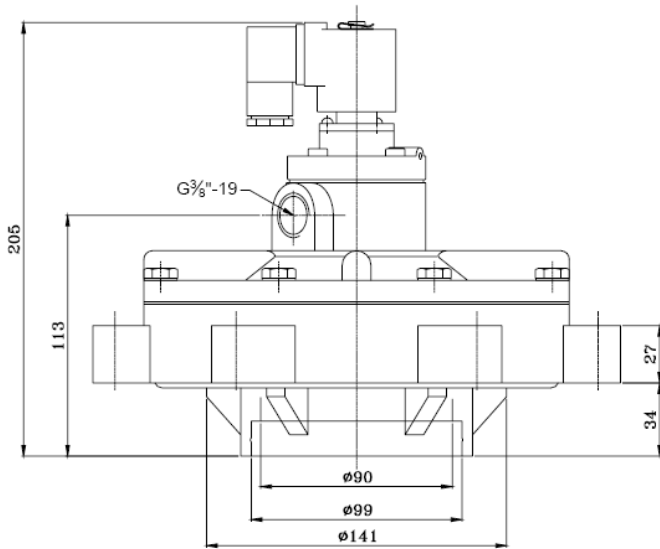
R31-65Y



Determine Valve Body Code



GR31-76Y



Determine Valve Body Code

