

Valves series A1
1/2", 3/2, electrically operated

Standard executions			
Version	Symbol	Code	Item
3/2 NC		034113	A1E430
3/2 NO		034122	A1E431
3/2 solenoid/solenoid		034123	A1E432
3/2 NC external air pilot		034137	A1K430
3/2 solenoid/solenoid external air pilot		034158	A1K432



2

Series of spool valves, with static seals, high flow, for panel mounting.

Coils and connectors have to be ordered separately.

For the coils type ASA12.../ASA2...

see page 2.200.1

For the connectors type A122...

see page 2.210.20

II 2Gc IIB T5
II 2Dc T100°C

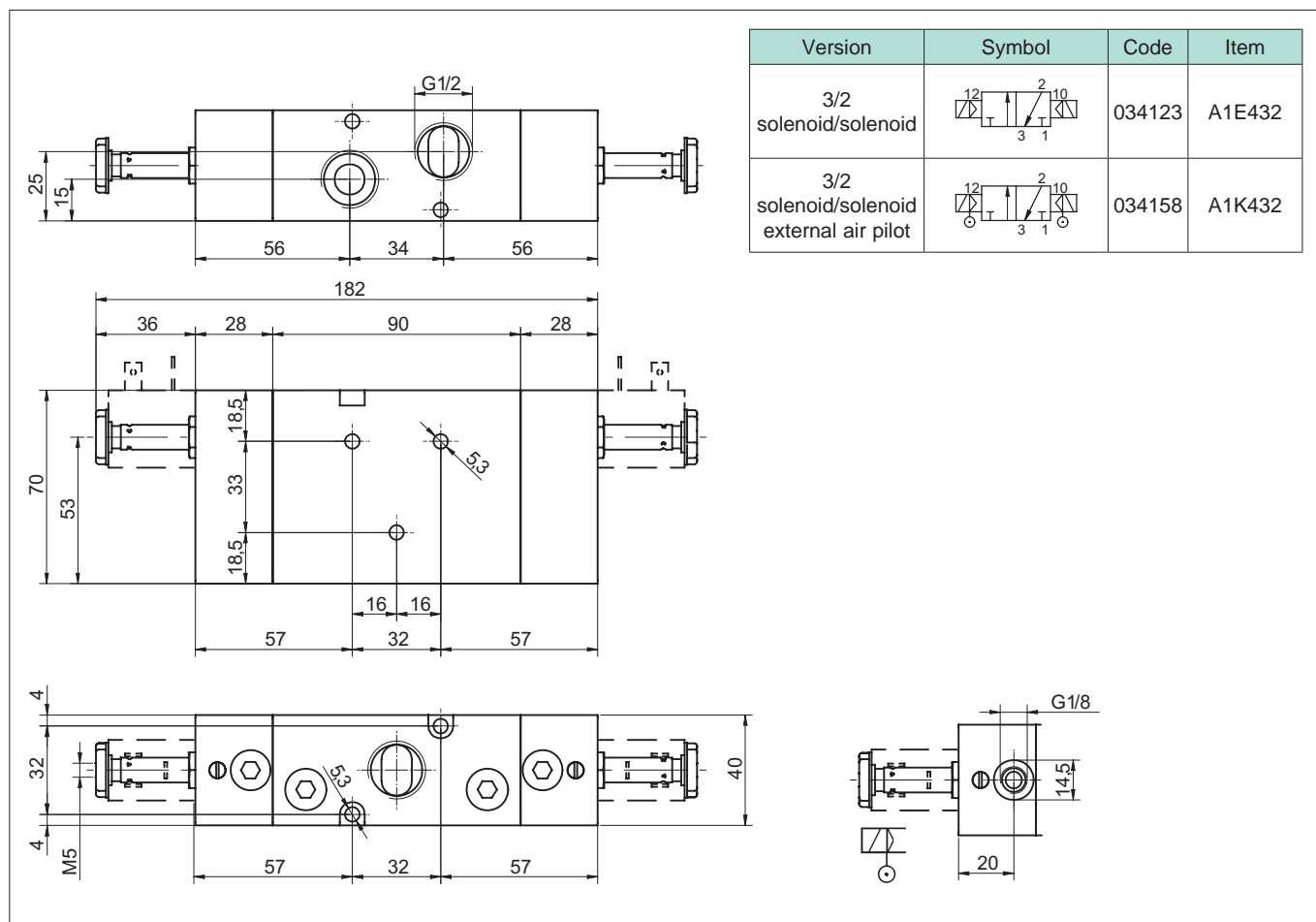
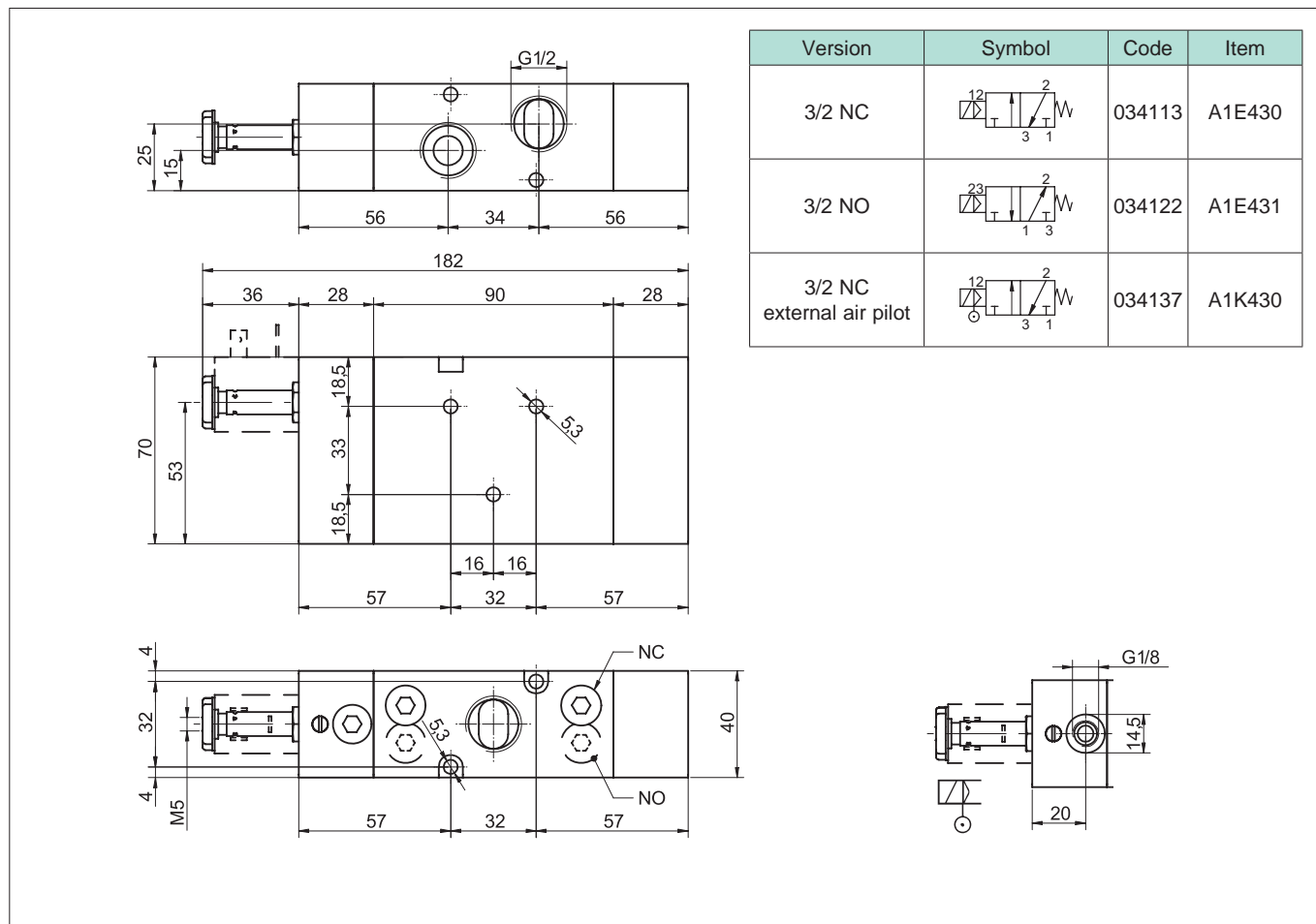
On request, they can be supplied according to 2014/34/EU - ATEX

Options	Suffix
Low temperature seals (-25 ÷ +60°C)	BT

Code key

Series	Actuation	Size	Function	Options
A1	E = electrical K = electrical with external air pilot	4 = 1/2"	30 = 3/2 NC 31 = 3/2 NO 32 = 3/2 sol./sol.	BT = low temp. seals

Technical data			
Fluid	Compressed filtered air with or without lubrication. Lubrication, if started, must be continued.		
Pressure range	2,5 ÷ 10 bar		
Temperature range	-10°C ÷ +60°C (standard)	-25°C ÷ +60°C (BT)	
Orifice	15 mm		
Flow	2900 NI/min at 6 bar with ΔP 1 bar		
Minimum piloting pressure	Spring return: 2,5 bar	Bistable: 1 bar	
Mounting	In any position		
Manual override	Bistable		
Response time (at 6 bar)	solenoid/spring		solenoid/solenoid
	Energising: 60 ms	De-energising: 36 ms	Energising: 30 ms De-energising: 30 ms
Materials	Body:	Anodised aluminium	
	Covers:	Anodised aluminium	
	Spool:	Hard aluminium anodized	
	Distancers:	Aluminium	
	Seals:	Hydrogenated Nitrile Butadiene Rubber (HNBR)	



Valves series A1
1/2", 5/2 - 5/3, electrically operated

Standard executions			
Version	Symbol	Code	Item
5/2 solenoid/spring		034114	A1E450
5/2 solenoid/solenoid		034115	A1E451
5/2 solenoid/solenoid differential		034139	A1E452
5/3 with closed centres		034124	A1E470
5/3 with open centres		034125	A1E471
5/3 with pressurised centres		034126	A1E472
5/2 solenoid/spring, external air pilot		034138	A1K450
5/2 solenoid/solenoid external air pilot		034140	A1K451
5/3 with closed centres, external air pilot		034159	A1K470
5/3 with open centres, external air pilot		034160	A1K471
5/3 with pressurised centres external air pilot		034161	A1K472



Series of spool valves, with static seals, high flow, for panel mounting.
Coils and connectors have to be ordered separately.
For the coils type ASA12.../ASA2... see page 2.200.1
For the connectors type A122... see page 2.210.20

Code key

Series	Actuation	Size	Function	Options
A1	E = electrical K = electrical with external air pilot	4 = 1/2"	50 = 5/2 sol./spring 51 = 5/2 sol./sol. 52 = 5/2 sol./sol. differential 70 = 5/3 CC 71 = 5/3 OC 72 = 5/3 PC	BT = low temp. seals

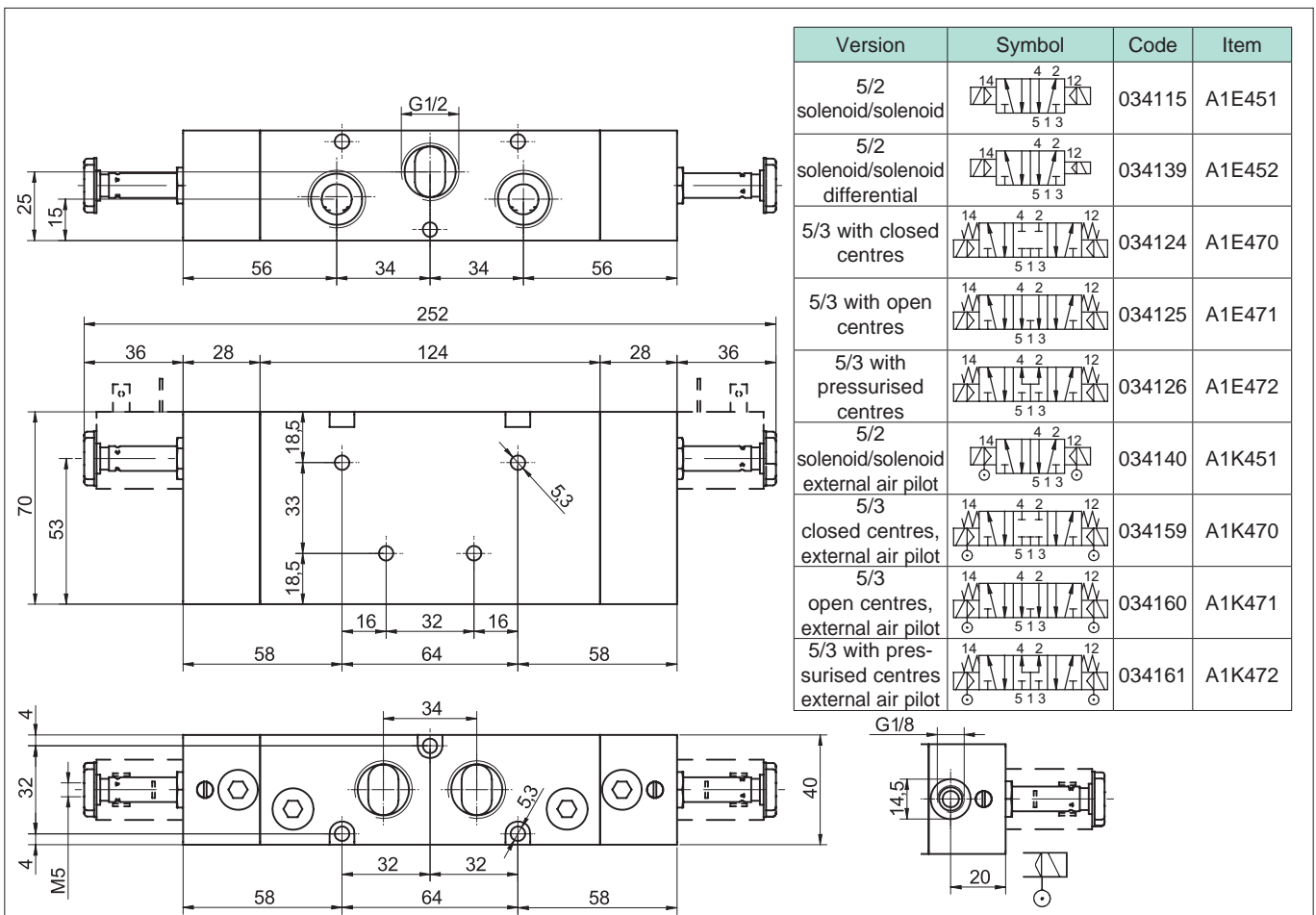
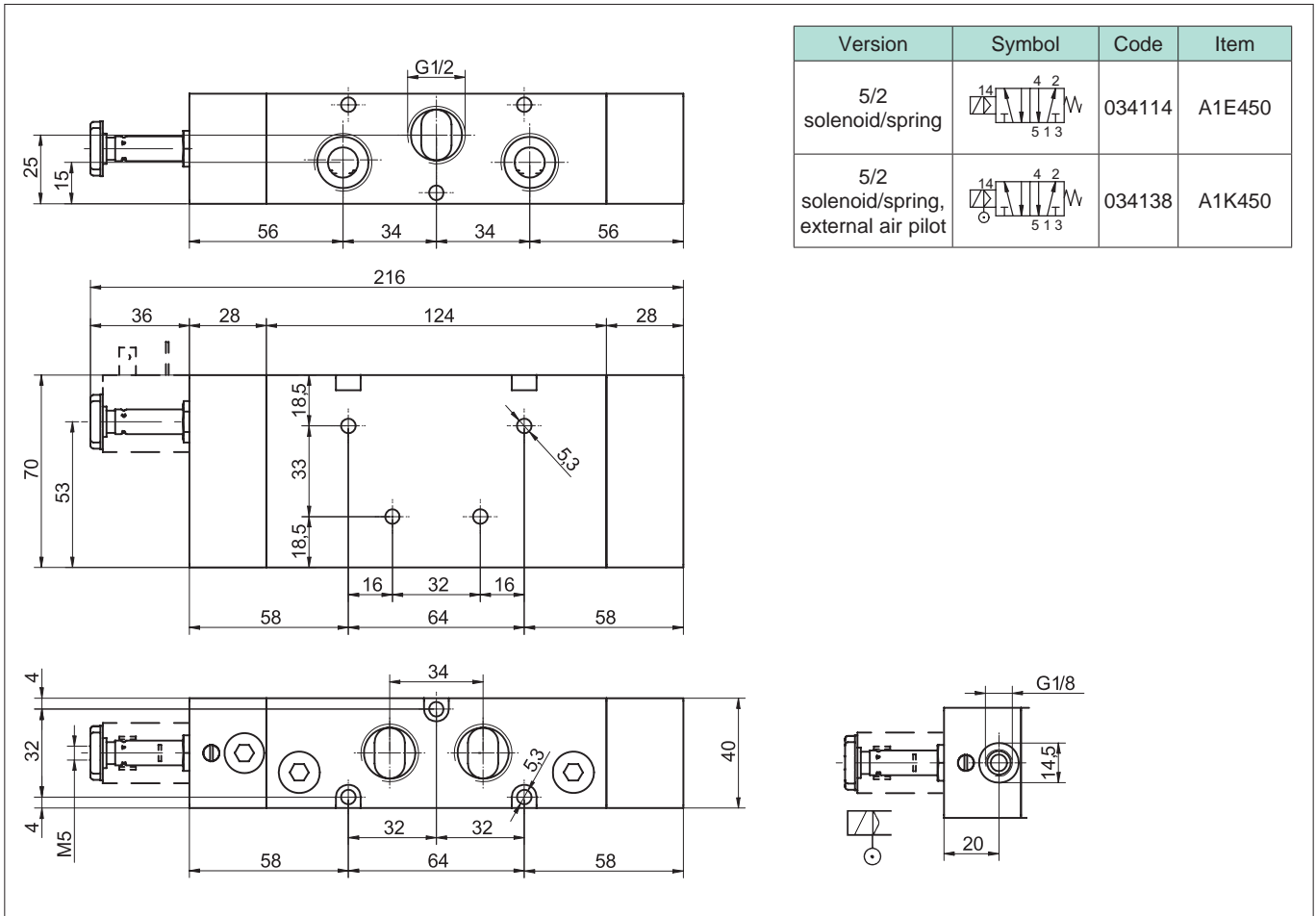
Options	Suffix
Low temperature seals (-25 ÷ +60°C)	BT



On request, they can be supplied according to 2014/34/EU - ATEX

Technical data			
Fluid	Compressed filtered air with or without lubrication. Lubrication, if started, must be continued.		
Pressure range	2,5 ÷ 10 bar		
Temperature range	-10°C ÷ +60°C (standard)	-25°C ÷ +60°C (BT)	
Orifice	15 mm		
Flow	2900 NI/min at 6 bar with ΔP 1 bar		
Minimum piloting pressure	Spring return: 2,5 bar	Bistable: 1 bar	3 positions: 2,5 bar
Mounting	In any position		
Manual override	Bistable		
Response time (at 6 bar)	solenoid/spring		solenoid/solenoid
	Energising: 60 ms	De-energising: 36 ms	Energising: 30 ms De-energising: 30 ms
Materials	Body:	Anodised aluminium	
	Covers:	Anodised aluminium	
	Spool:	Hard aluminium anodized	
	Distancers:	Aluminium	
	Seals:	Hydrogenated Nitrile Butadiene Rubber (HNBR)	





Valves series A1
1/8", 3/2, electrically operated

Standard executions			
Version	Symbol	Code	Item
3/2 NC		034003	A1E130
3/2 NO		034004	A1E131
3/2 solenoid/solenoid		034005	A1E132
3/2 NC external air pilot		034006	A1K130
3/2 solenoid/solenoid external air pilot		034007	A1K132



Series of spool valves, with static seals, high flow, for panel or sub-base mounting.

Coils and connectors have to be ordered separately.

For the coils type ASA12... see page 2.200.1

For the connectors type A122... see page 2.210.20

For the sub-bases type A1B1... see page 2.65.1

II 2Gc IIB T5
II 2Dc T100°C

On request, they can be supplied according to 2014/34/EU - ATEX

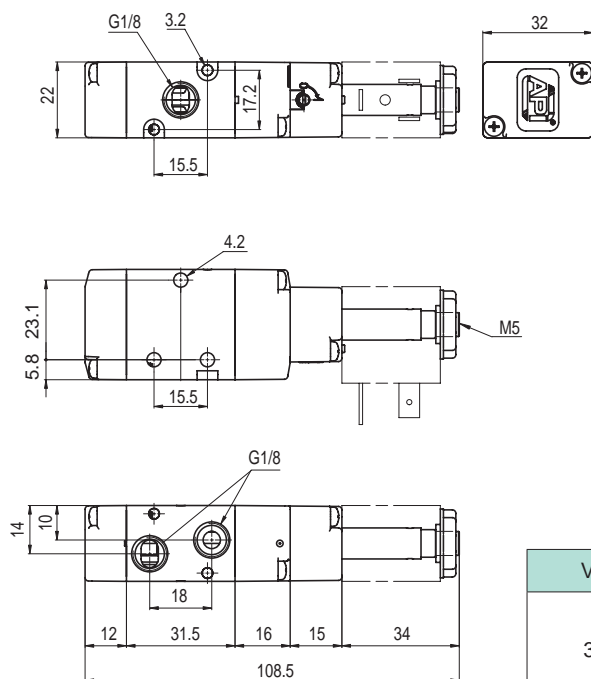
Options	Suffix
Low temperature seals (-25 ÷ +60°C)	BT

Code key

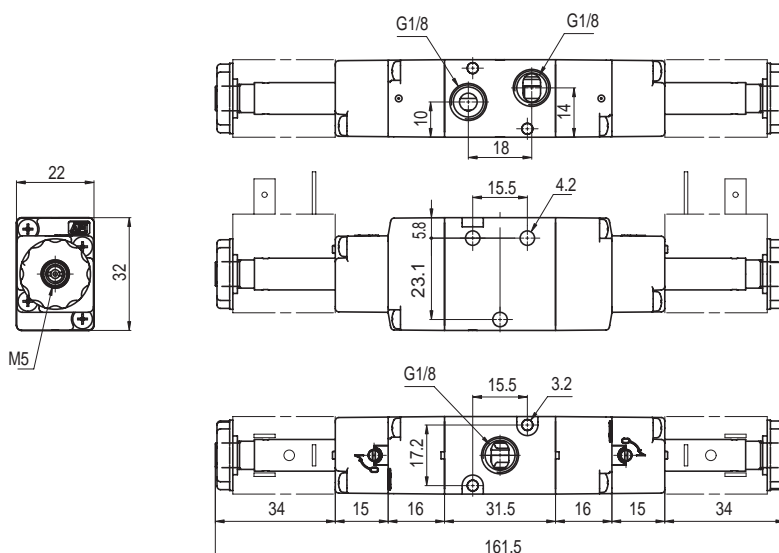
Series	Actuation	Size	Function	Options
A1	E = electrical K = electrical with external air pilot	1 = 1/8"	30 = 3/2 NC 31 = 3/2 NO 32 = 3/2 sol./sol.	BT = low temp. seals

Technical data			
Fluid	Compressed filtered air with or without lubrication. Lubrication, if started, must be continued.		
Pressure range	Spring return: 1,5 ÷ 10 bar	Bistable: 1 ÷ 10 bar	
Temperature range	-10°C ÷ +60°C (standard)	-25°C ÷ +60°C (BT)	
Orifice	6,5 mm		
Flow	650 NI/min a 6 bar con ΔP 1 bar		
Minimum external air pressure	1,5 bar		
Mounting	In any position		
Manual override	Bistable		
Response time (at 6 bar)	solenoid/spring		solenoid/solenoid
	Energising: 35 ms	De-energising: 15 ms	Energising: 20 ms De-energising: 20 ms
Materials	Body:	Anodised aluminium	
	Covers:	Hostaform C 13031	
	Spool:	Hard aluminium anodized	
	Distancers:	Ixef 1022	
	Seals:	Hydrogenated Nitrile Butadiene Rubber (HNBR)	

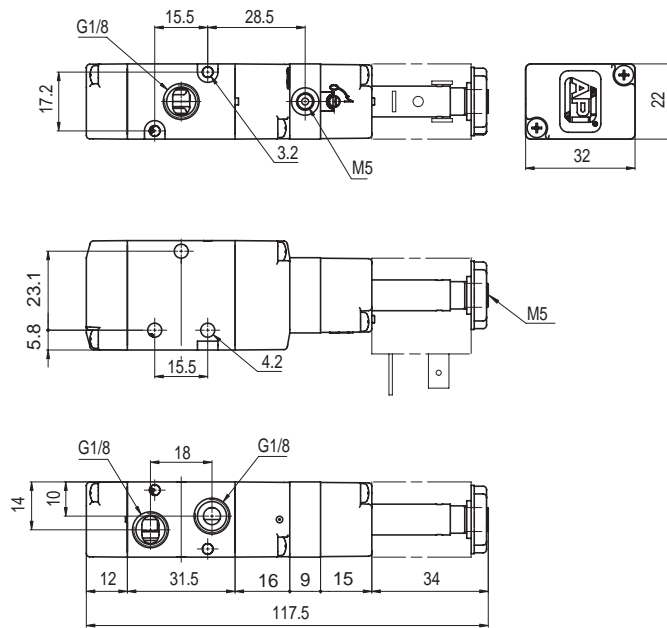




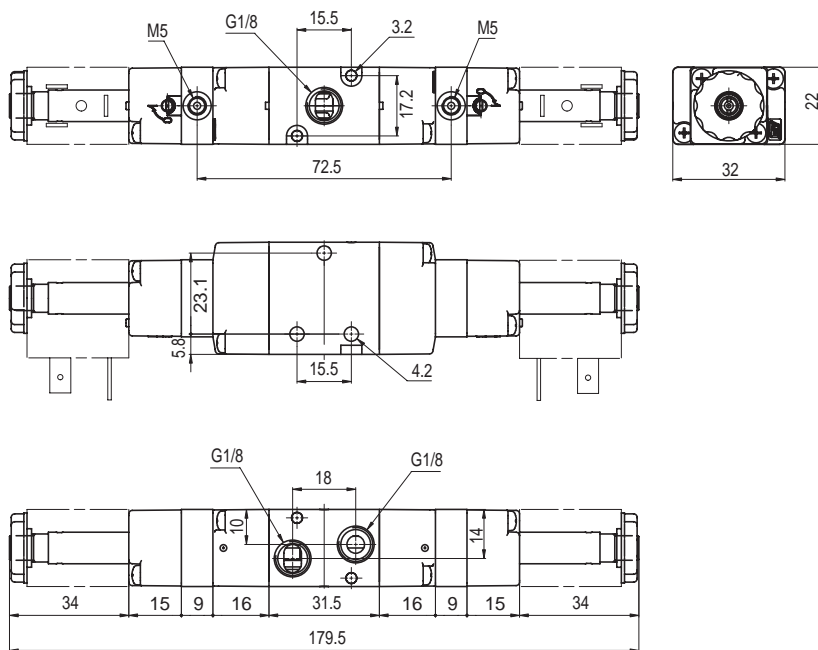
Version	Symbol	Code	Item
3/2 NC		034003	A1E130
3/2 NO		034004	A1E131



Version	Symbol	Code	Item
3/2 solenoid/solenoid		034005	A1E132



Version	Symbol	Code	Item
3/2 NC external air pilot		034006	A1K130

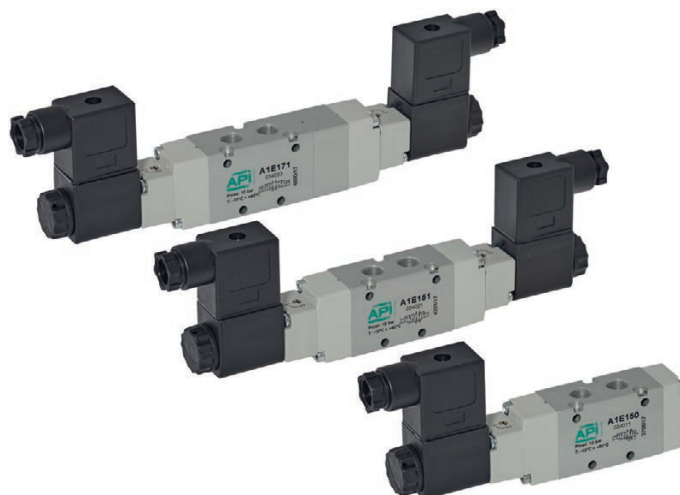


Version	Symbol	Code	Item
3/2 solenoid/solenoid external air pilot		034007	A1K132

Valves series A1
1/8", 5/2 - 5/3, electrically operated

Standard executions

Version	Symbol	Code	Item
5/2 solenoid/spring		034011	A1E150
5/2 solenoid/solenoid		034021	A1E151
5/3 with closed centres		034031	A1E170
5/3 with open centres		034033	A1E171
5/3 with pressurised centres		034032	A1E172
5/2 solenoid/spring, external air pilot		034012	A1K150
5/2 solenoid/solenoid external air pilot		034008	A1K151
5/3 with closed centres, external air pilot		034009	A1K170
5/3 with open centres, external air pilot		034010	A1K171
5/3 with pressurised centres, external air pilot		034013	A1K172



Series of spool valves, with static seals, high flow, for panel or sub-base mounting.

Coils and connectors have to be ordered separately.

For the coils type ASA12... see page 2.200.1

For the connectors type A122... see page 2.210.20

For the sub-bases type A1B1... see page 2.65.1

Code key

Series	Actuation	Size	Function	Options
A1	E = electrical K = electrical with external air pilot	1 = 1/8"	50 = 5/2 sol./spring 51 = 5/2 sol./sol. 70 = 5/3 CC 71 = 5/3 OC 72 = 5/3 PC	BT = low temp. seals

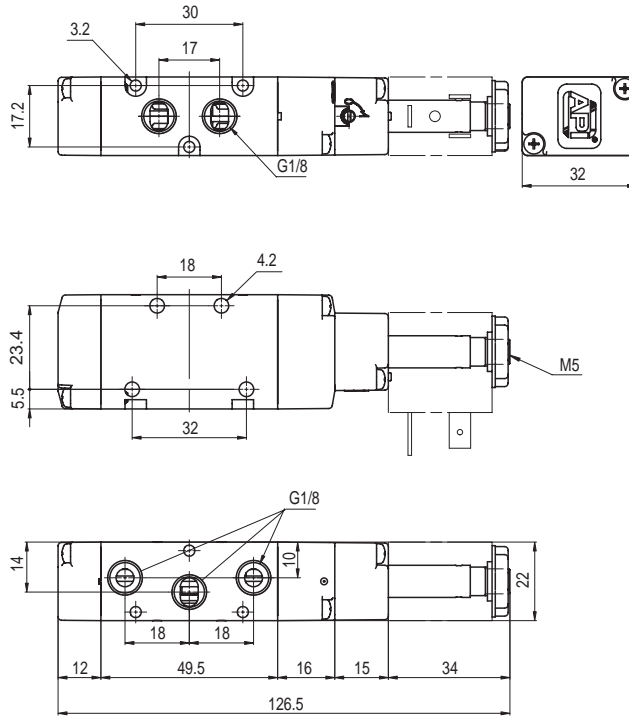
Options	Suffix
Low temperature seals (-25 ÷ +60°C)	BT

II 2Gc IIB T5
II 2Dc T100°C

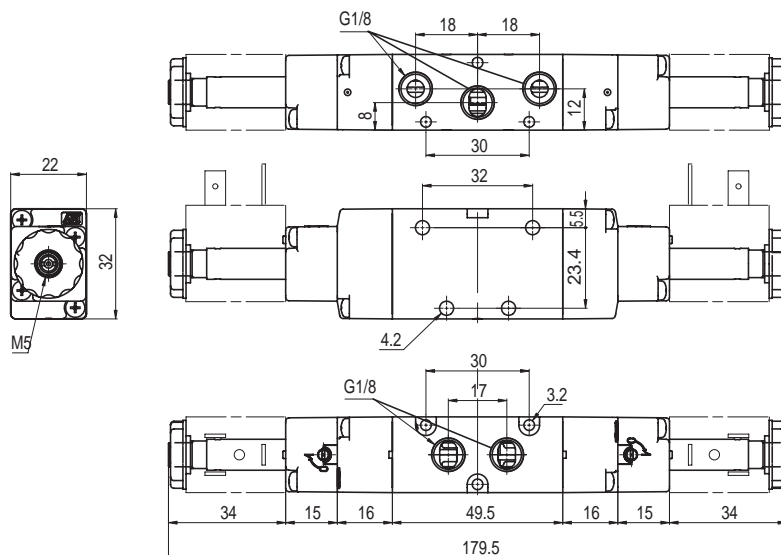
On request, they can be supplied according to 2014/34/EU - ATEX

Technical data

Fluid	Compressed filtered air with or without lubrication. Lubrication, if be used, must be continous.		
Pressure range	Spring return: 1,5 ÷ 10 bar	Bistable: 1 ÷ 10 bar	3 position: 2,5 ÷ 10 bar
Temperature range	-10°C ÷ +60°C (standard)		-25°C ÷ +60°C (BT)
Orifice	6,5 mm		
Flow	650 NI/min. at 6 bar with ΔP 1bar		
Minimum external air pressure	1,5 bar		
Mounting	In any position		
Manual override	Bistable		
Response time (at 6 bar)	solenoid/spring		solenoid/solenoid
	Energising: 35 ms	De-energising: 15 ms	Energising: 20 ms De-energising: 20 ms
Materials	Body:	Anodised aluminium	
	Covers:	Hostaform C 13031	
	Spool:	Hard aluminium anodized	
	Distancers:	Ixef 1022	
	Seals:	Hydrogenated Nitrile Butadiene Rubber (HNBR)	



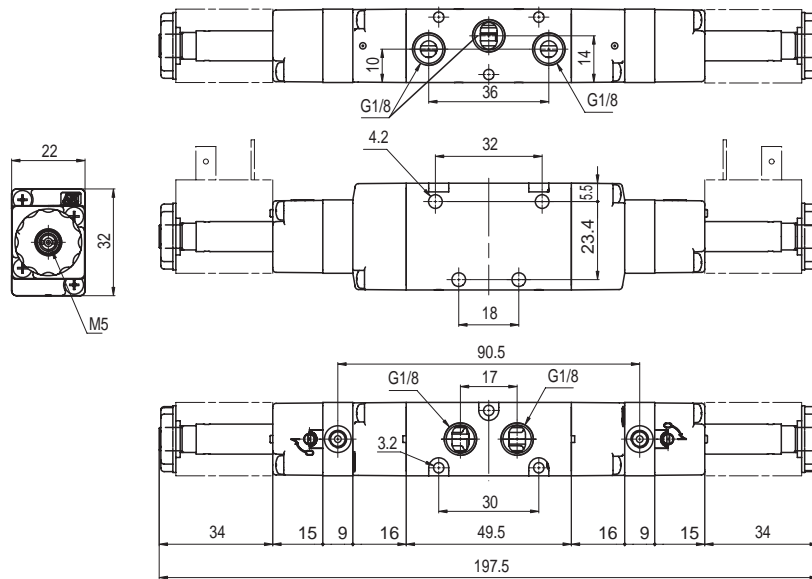
Version	Symbol	Code	Item
5/2 solenoid/spring		034011	A1E150



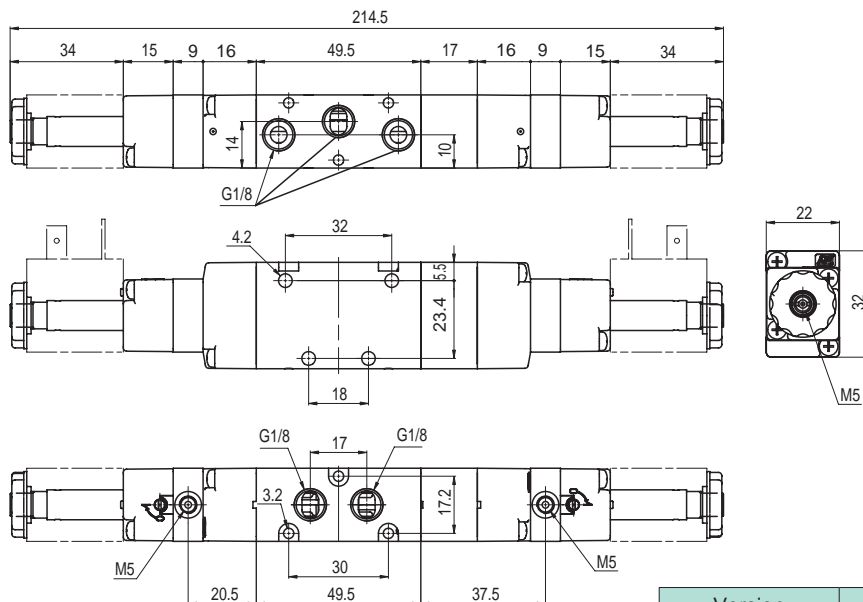
Version	Symbol	Code	Item
5/2 solenoid/solenoid		034021	A1E151

Version	Symbol	Code	Item
5/3 with closed centres		034031	A1E170
5/3 with open centres		034033	A1E171
5/3 with pressurised centers		034032	A1E172

Version	Symbol	Code	Item
5/2 solenoid/spring, external air pilot		034012	A1K150



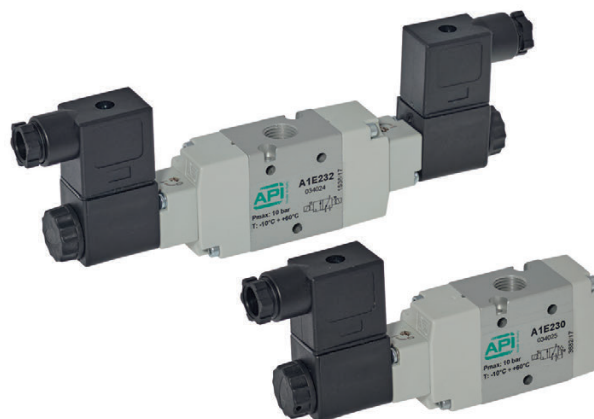
Version	Symbol	Code	Item
5/2 solenoid/solenoid external air pilot		034008	A1K151



Version	Symbol	Code	Item
5/3 with closed centres, external air pilot		034009	A1K170
5/3 with open centres, external air pilot		034010	A1K171
5/3 with pressurised centers external air pilot		034013	A1K172

Valves series A1
1/4", 3/2, electrically operated

Standard executions			
Version	Symbol	Code	Item
3/2 NC		034025	A1E230
3/2 NO		034040	A1E231
3/2 solenoid/solenoid		034024	A1E232
3/2 NC external air pilot		034039	A1K230
3/2 solenoid/solenoid external air pilot		034023	A1K232



Series of spool valves, with static seals, high flow, for panel or sub-base mounting.

Coils and connectors have to be ordered separately.

For the coils type ASA12...

see page 2.200.1

For the connectors type A122...

see page 2.210.20

For the sub-bases type A1B2...

see page 2.85.1



II 2Gc IIB T5
II 2Dc T100°C

On request, they can be supplied according to 2014/34/EU - ATEX

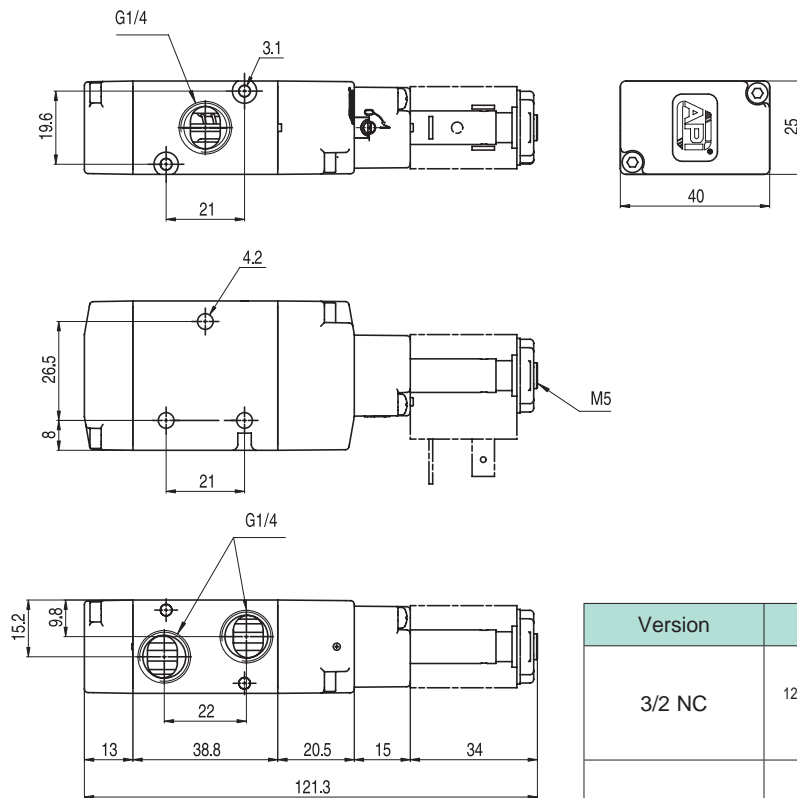
Code key

Series	Actuation	Size	Function
A1	E = electrical K = electrical with external air pilot	2 = 1/4	30 = 3/2 NC 31 = 3/2 NO 32 = 3/2 solenoid/solenoid

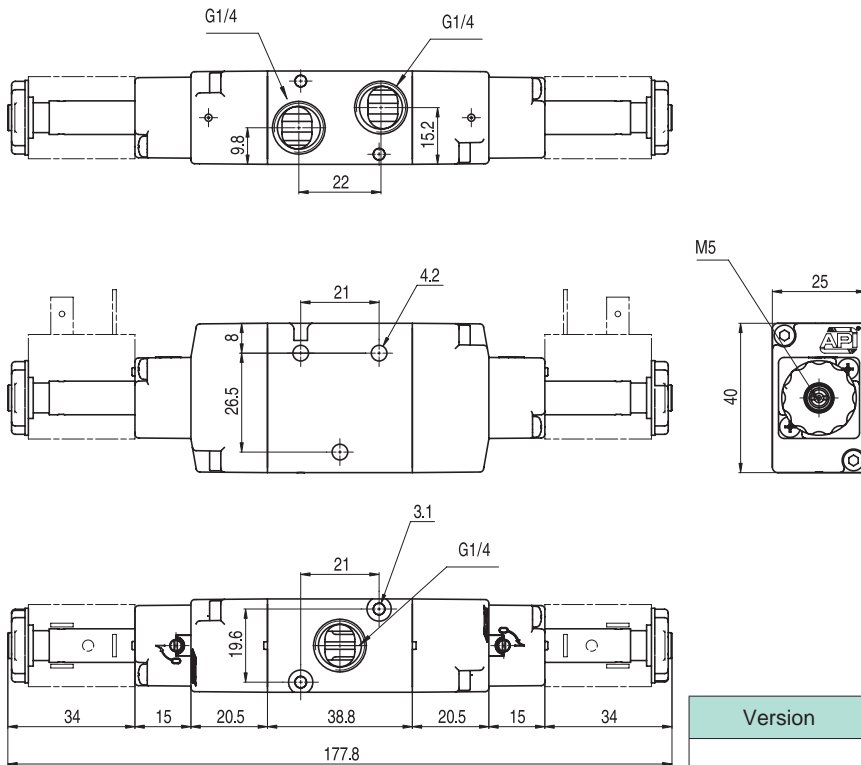
Technical data			
Fluid	Compressed filtered air with or without lubrication. Lubrication, if started, must be continued.		
Pressure range	Spring return: 1,5 ÷ 10 bar	Bistable: 1 ÷ 10 bar	
Temperature range	-10°C ÷ +60°C		
Orifice	8 mm		
Flow	1.100 NI/min at 6 bar with ΔP 1 bar		
Minimum external air pressure	1,5 bar		
Mounting	In any position		
Manual override	Bistable		
Response time (at 6 bar)	solenoid/spring		solenoid/solenoid
	Energising: 45 ms	De-energising: 19 ms	Energising: 21 ms De-energising: 21 ms
Materials	Body:	Anodised aluminium	
	Covers:	Delrin 500	
	Spool:	Hard aluminium anodized	
	Distancers:	Fortron 1140 L4	
	Seals:	Hydrogenated Nitrile Butadiene Rubber (HNBR)	

Valves series A1
1/4", 3/2, electrically operated

2

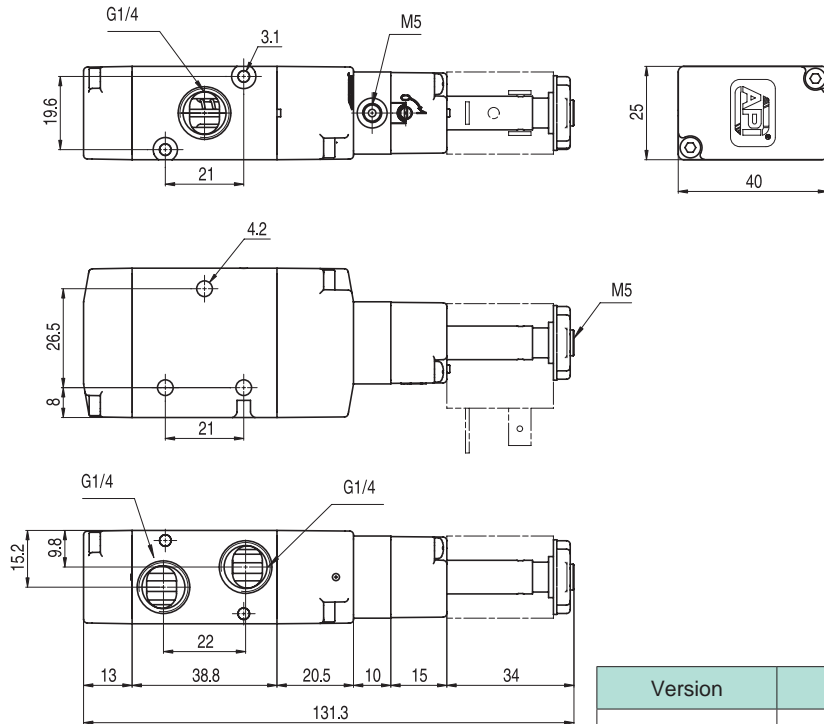


Version	Symbol	Code	Item
3/2 NC		034025	A1E230
3/2 NO		034040	A1E231

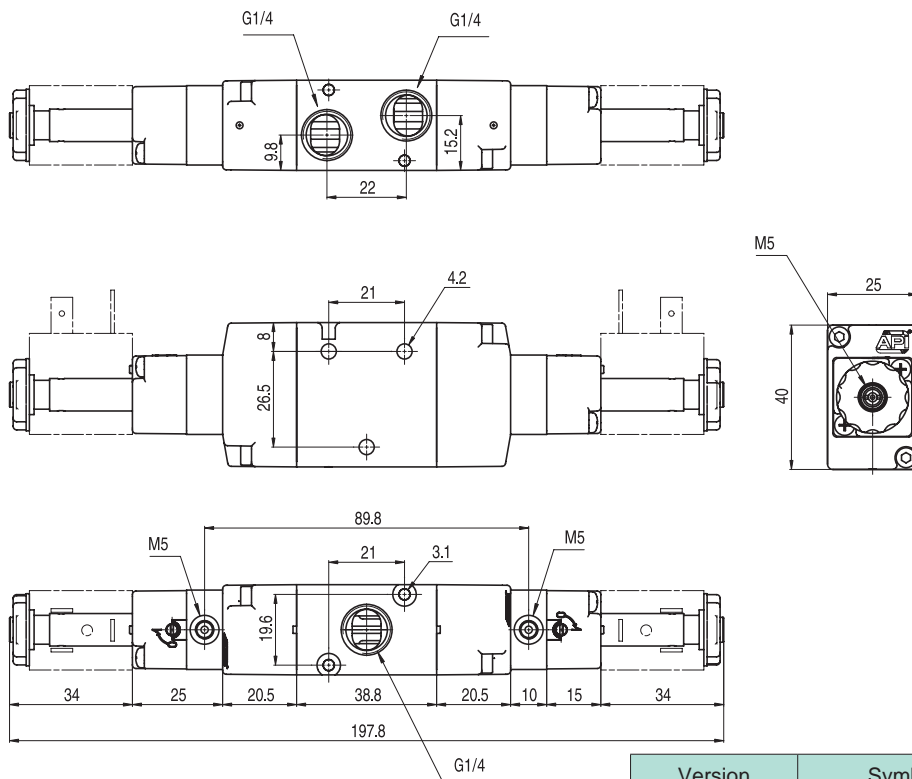


Version	Symbol	Code	Item
3/2 solenoid/solenoid		034024	A1E232

Valves series A1
1/4", 3/2, electrically operated



Version	Symbol	Code	Item
3/2 NC external air pilot		034039	A1K230



Version	Symbol	Code	Item
3/2 solenoid/solenoid external air pilot		034023	A1K232

Valves series A1
1/4", 5/2 - 5/3, electrically operated

Standard executions

Version	Symbol	Code	Item
5/2 solenoid/spring		034111	A1E250
5/2 solenoid/solenoid		034121	A1E251
5/3 with closed centres		034131	A1E270
5/3 with open centres		034133	A1E271
5/3 with pressurised centres		034132	A1E272
5/2 solenoid/spring, external air pilot		034035	A1K250
5/2 solenoid/solenoid external air pilot		034034	A1K251
5/3 with closed centres, external air pilot		034037	A1K270
5/3 with open centres, external air pilot		034038	A1K271
5/3 with pressurised centres external air pilot		034036	A1K272



Series of spool valves, with static seals, high flow, for panel or sub-base mounting.
Coils and connectors have to be ordered separately.
For the coils type ASA12... see page 2.200.1
For the connectors type A122... see page 2.210.20
For the sub-bases type A1B2... see page 2.85.1

Code key

Series	Actuation	Size	Function	Options
A1	E = electrical K = electrical with external air pilot	2 = 1/4"	50 = 5/2 sol./spring 51 = 5/2 sol./sol. 70 = 5/3 CC 71 = 5/3 OC 72 = 5/3 PC	BT = low temp. seals

Options	Suffix
Low temperature seals (-25 ÷ +60°C)	BT

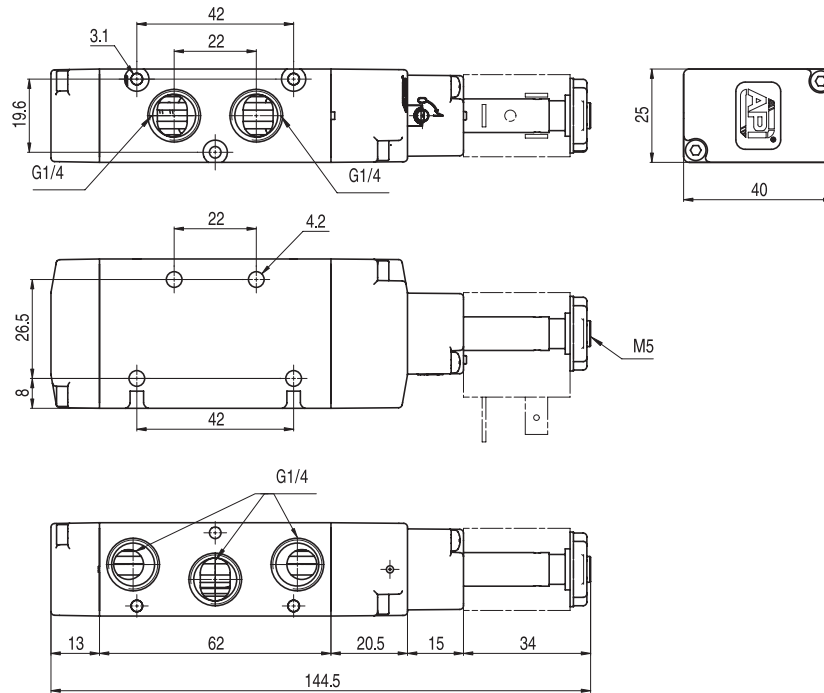


On request, they can be supplied according to 2014/34/EU - ATEX

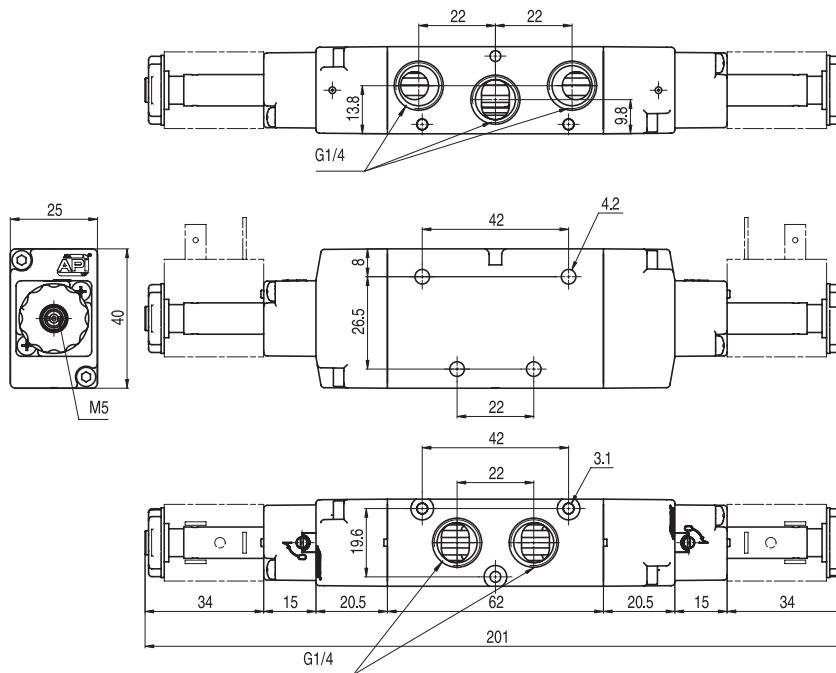
Technical data

Fluid	Compressed filtered air with or without lubrication. Lubrication, if started, must be continued.		
Pressure range	Spring return: 1,5 ÷ 10 bar	Bistable: 1 ÷ 10 bar	3 position: 2,5 ÷ 10 bar
Temperature range	-10°C ÷ +60°C (standard)		-25°C ÷ +60°C (BT)
Orifice	8 mm		
Flow	1.100 NI/min at 6 bar with ΔP 1 bar		
Minimum external air pressure	1,5 bar		
Mounting	In any position		
Manual override	Bistable		
Response time (at 6 bar)	solenoid/spring		solenoid/solenoid
	Energising: 45 ms	De-energising: 19 ms	Energising: 21 ms De-energising: 21 ms
Materials	Body:	Anodised aluminium	
	Covers:	Hostaform C 13031	
	Spool:	Hard aluminium anodized	
	Distancers:	Ixef 1022	
	Seals:	Hydrogenated Nitrile Butadiene Rubber (HNBR)	

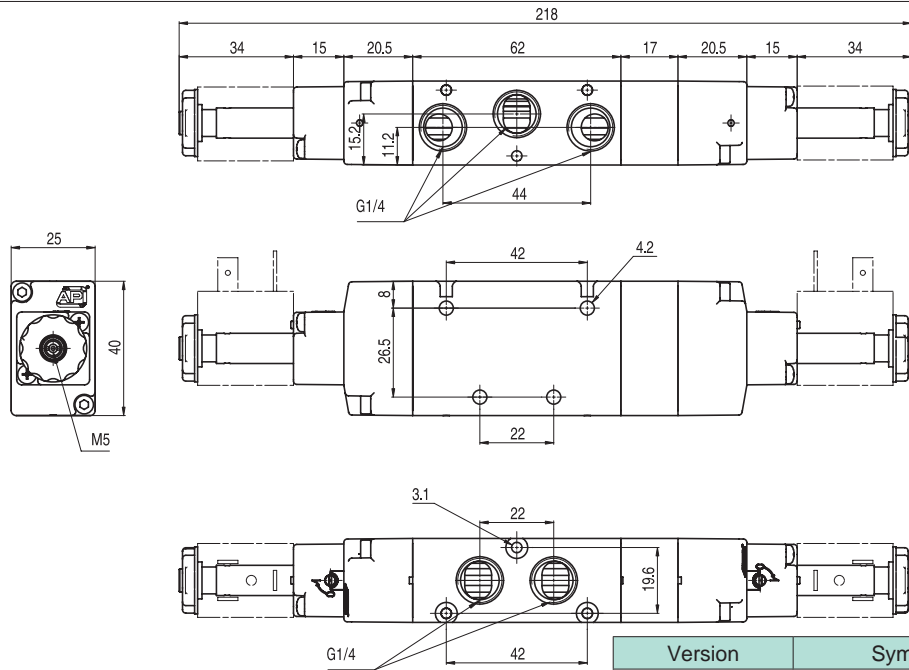




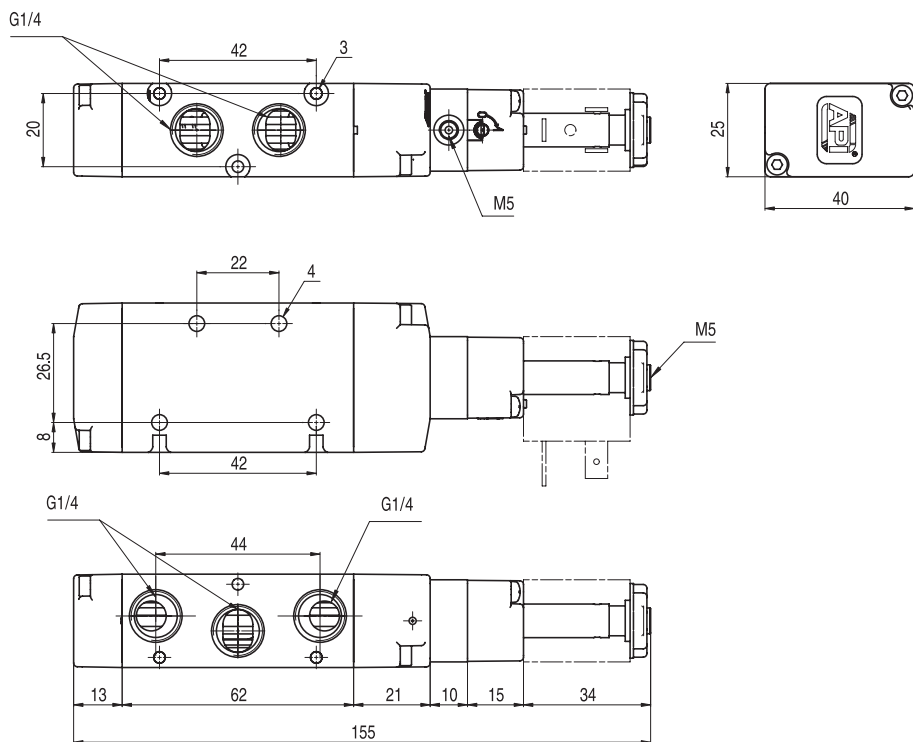
Version	Symbol	Code	Item
5/2 solenoid/spring		034111	A1E250



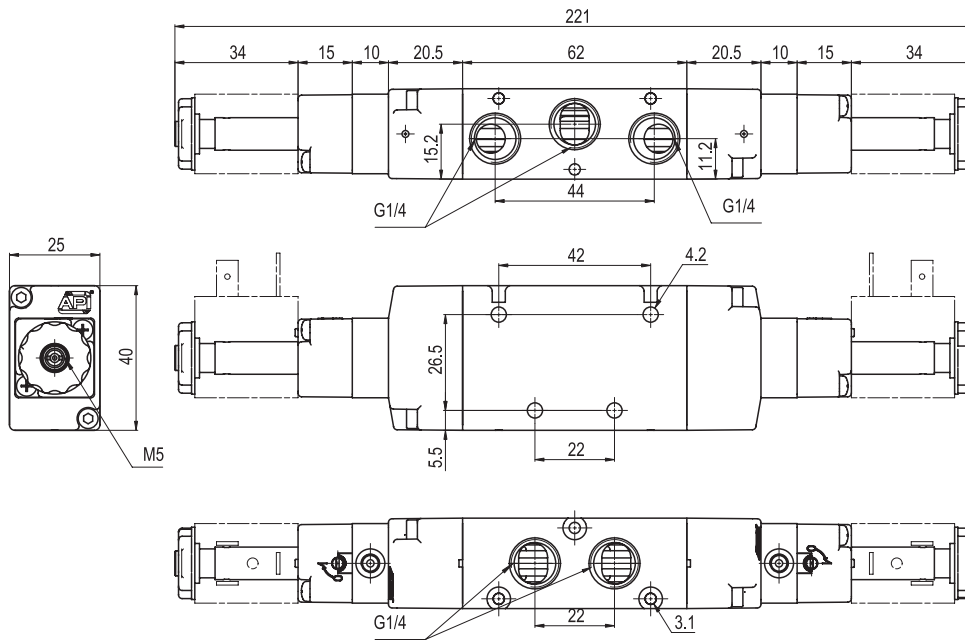
Version	Symbol	Code	Item
5/2 solenoid/solenoid		034121	A1E251



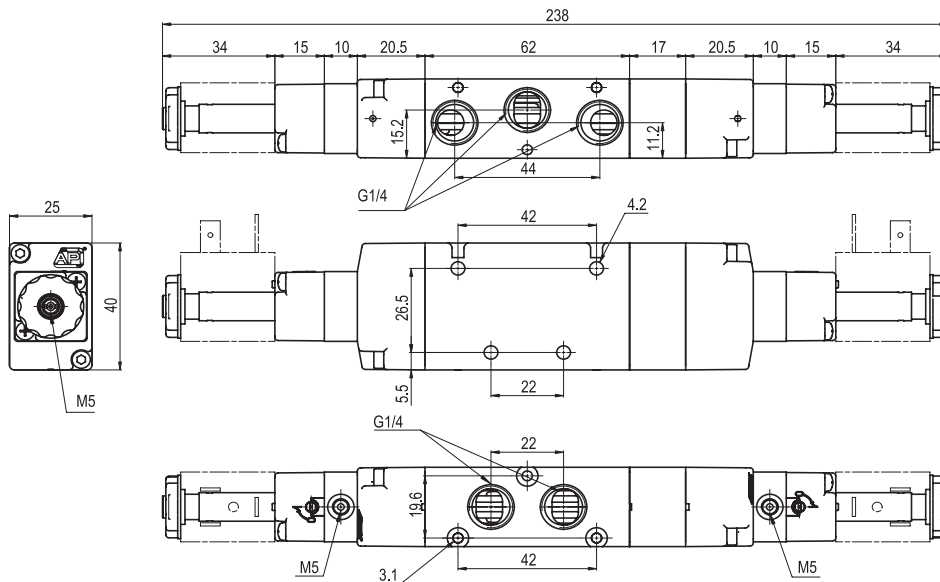
Version	Symbol	Code	Item
5/3 with closed centres		034131	A1E270
5/3 with open centres		034133	A1E271
5/3 with pressurised centres		034132	A1E272



Version	Symbol	Code	Item
5/2 solenoid/spring, external air pilot		034035	A1K250



Version	Symbol	Code	Item
5/2 solenoid/solenoid external air pilot		034034	A1K251



Version	Symbol	Code	Item
5/3 with closed centres, external air pilot		034037	A1K270
5/3 with open centres, external air pilot		034038	A1K271
5/3 with pressurised centres external air pilot		034036	A1K272