

Valves series A1

1/8", 3/2, manually operated

Executions			
Version	Symbol	Code	Item
3/2 NC side lever, 1 position		034071	A1MA130LL
3/2 side lever, 2 positions		034070	A1MA132LL
3/2 top lever, 2 positions		034082	A1MA132LT
3/2 NC push-pull, 1 position		034083	A1MA130TT
3/2 push-pull, 2 positions		034084	A1MA132TT
3/2 NC red head push button, 1 position		034085	A1MA130FR
3/2 NC green head push button, 1 position		034086	A1MA130FV
3/2 NC black head push button, 1 position		034087	A1MA130FN
3/2 NC red recessed button, 1 position		034088	A1MA130BR
3/2 NC green recessed button, 1 position		034089	A1MA130BV
3/2 NC black recessed button, 1 position		034090	A1MA130BN



Series of spool valves, with static seals, high flow, for panel or sub-base mounting.

Code key

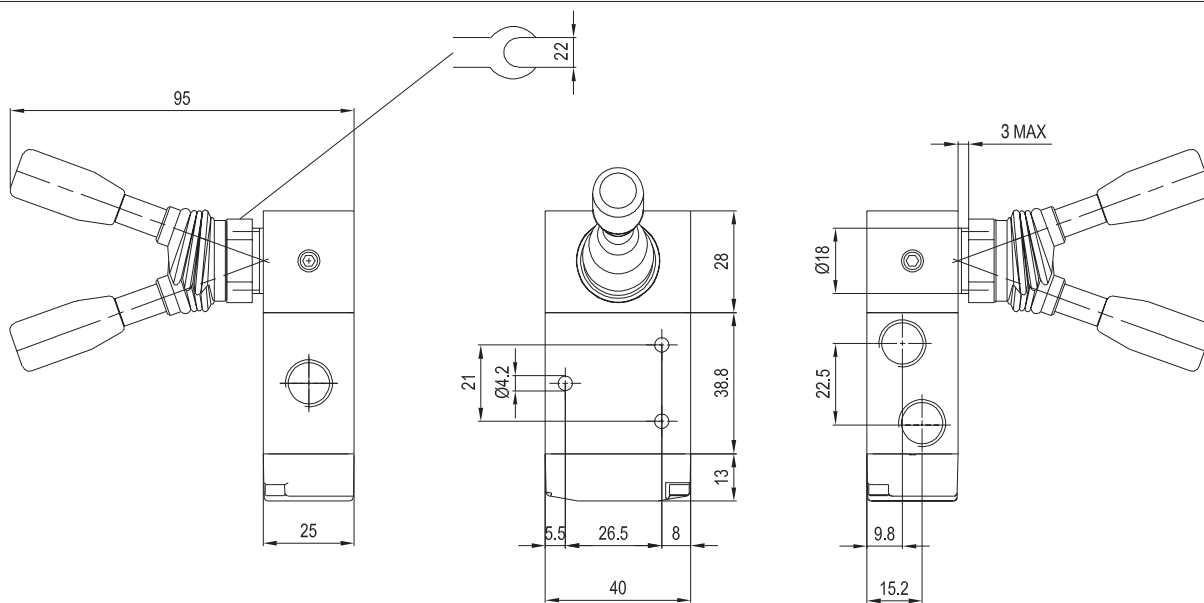
Series	Actuation	Size	Function	Actuation
A1	MA=Manual	1 = 1/8" 2 = 1/4"	30 = 3/2 NC spring return 32 = 3/2 two stable positions 50 = 5/2 spring return 51 = 5/2 two stable positions 70 = 5/3 CC spring return 71 = 5/3 CA spring return 72 = 5/3 CP spring return 73 = 5/3 CC 3 positions 74 = 5/3 CA 3 positions 75 = 5/3 CP 3 positions	LL = side lever LT = top lever TT = push-pull FR = red head push button FV = green head push button FN = black head push button BR = red recessed button BV = green recessed button BN = black recessed button



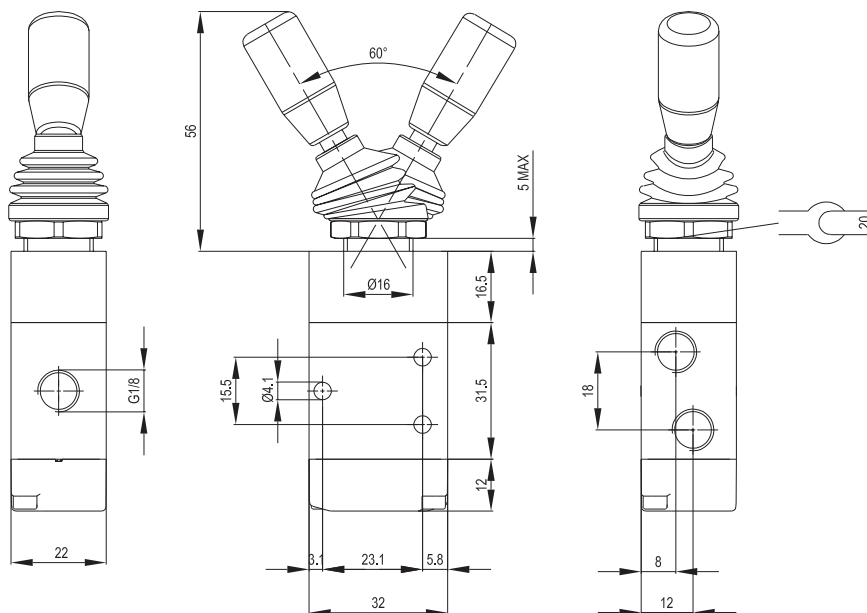
On request, they can be supplied according to 94/9/EC - ATEX

Technical data															
Fluid	Compressed filtered air with or without lubrication. Lubrication, if be used, must be continous.														
Pressure range	0 ÷ 10 bar														
Temperature range	-10 °C ÷ + 80°C														
Orifice	6,5 mm														
Flow	650 NI/min at 6 bar with ΔP 1 bar														
Mounting	In any position														
Materials	<table border="0"> <tr> <td>Body:</td> <td>Aluminium anodized</td> </tr> <tr> <td>Cover:</td> <td>Aluminium anodized</td> </tr> <tr> <td>Bottom plates:</td> <td>Delrin 500</td> </tr> <tr> <td>Spool:</td> <td>Chemical nickel plated aluminium</td> </tr> <tr> <td>Distancers:</td> <td>Fortron 1140 L4</td> </tr> <tr> <td>Seals:</td> <td>Hydrogenated Nitrile Butadiene Rubber (HNBR)</td> </tr> <tr> <td>Lever:</td> <td>Steel</td> </tr> </table>	Body:	Aluminium anodized	Cover:	Aluminium anodized	Bottom plates:	Delrin 500	Spool:	Chemical nickel plated aluminium	Distancers:	Fortron 1140 L4	Seals:	Hydrogenated Nitrile Butadiene Rubber (HNBR)	Lever:	Steel
Body:	Aluminium anodized														
Cover:	Aluminium anodized														
Bottom plates:	Delrin 500														
Spool:	Chemical nickel plated aluminium														
Distancers:	Fortron 1140 L4														
Seals:	Hydrogenated Nitrile Butadiene Rubber (HNBR)														
Lever:	Steel														

Valves series A1
1/8", 3/2, manually operated



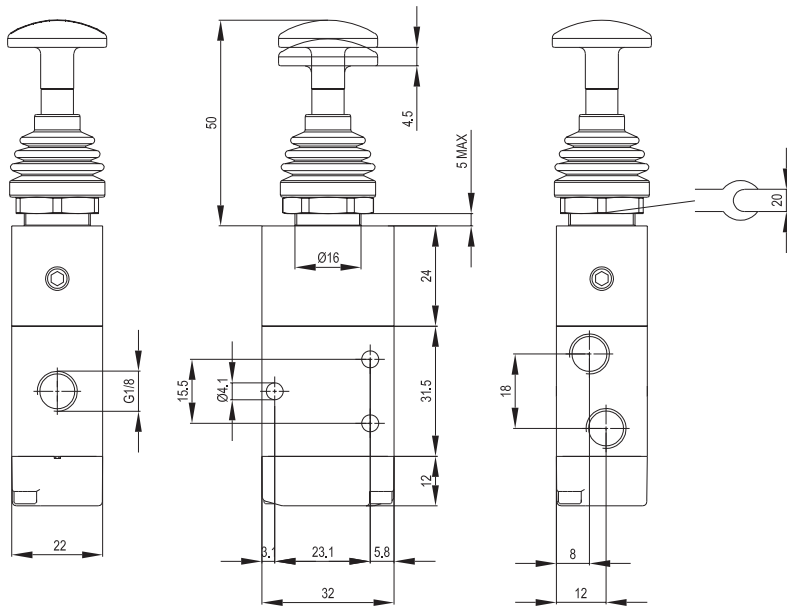
Version	Symbol	Code	Item
3/2 NC side lever, 1 position		034071	A1MA130LL
3/2 side lever, 2 positions		034070	A1MA132LL



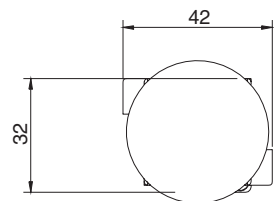
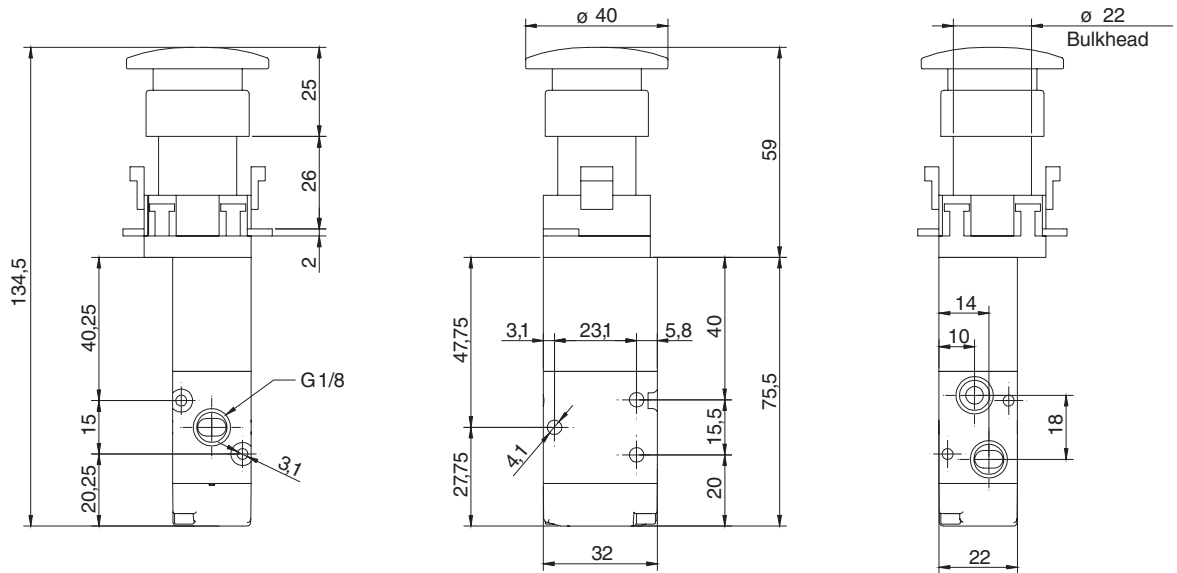
Version	Symbol	Code	Item
3/2 top lever, 2 positions		034082	A1MA132LT

Valves series A1

1/8", 3/2, manually operated

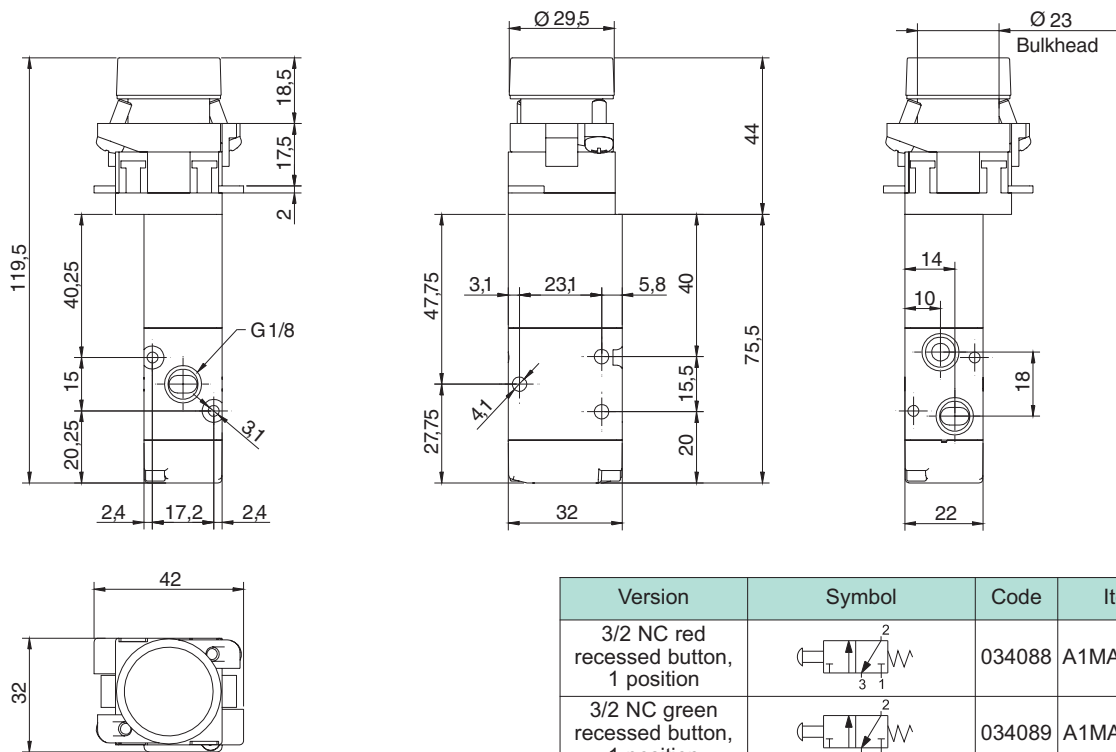


Version	Symbol	Code	Item
3/2 NC push-pull, 1 position		034083	A1MA130TT
3/2 push-pull, 2 positions		034084	A1MA132TT



Version	Symbol	Code	Item
3/2 NC red head push-button, 1 position		034085	A1MA130FR
3/2 NC green head push-button, 1 position		034086	A1MA130FV
3/2 NC black head push-button, 1 position		034087	A1MA130FN

Valves series A1
1/8", 3/2, manually operated



Version	Symbol	Code	Item
3/2 NC red recessed button, 1 position		034088	A1MA130BR
3/2 NC green recessed button, 1 position		034089	A1MA130BV
3/2 NC black recessed button, 1 position		034090	A1MA130BN

Valves series A1

1/8", 5/2 - 5/3, manually operated

Executions			
Version	Symbol	Code	Item
5/2 side lever 1 position		034064	A1MA150LL
5/2 side lever 2 positions		034063	A1MA151LL
5/3 side lever closed centres, 1 position		034062	A1MA170LL
5/3 side lever open centres, 1 position		034066	A1MA171LL
5/3 side lever pressurised centres, 1 position		034065	A1MA172LL
5/3 side lever closed centres, 3 positions		034068	A1MA173LL
5/3 side lever open centres, 3 positions		034067	A1MA174LL
5/3 side lever pressurised centres, 3 positions		034069	A1MA175LL
5/2 top lever 2 positions		034091	A1MA151LT
5/2 push-pull 1 position		034092	A1MA150TT
5/2 push-pull 2 positions		034093	A1MA151TT
5/2 red head push button, 1 position		034094	A1MA150FR
5/2 green head push button, 1 position		034095	A1MA150FV
5/2 black head push button, 1 position		034096	A1MA150FN
5/2 red recessed button, 1 position		034097	A1MA150BR
5/2 green recessed button, 1 position		034098	A1MA150BV
5/2 black recessed button, 1 position		034099	A1MA150BN



Series of spool valves, with static seals, high flow, for panel or sub-base mounting.

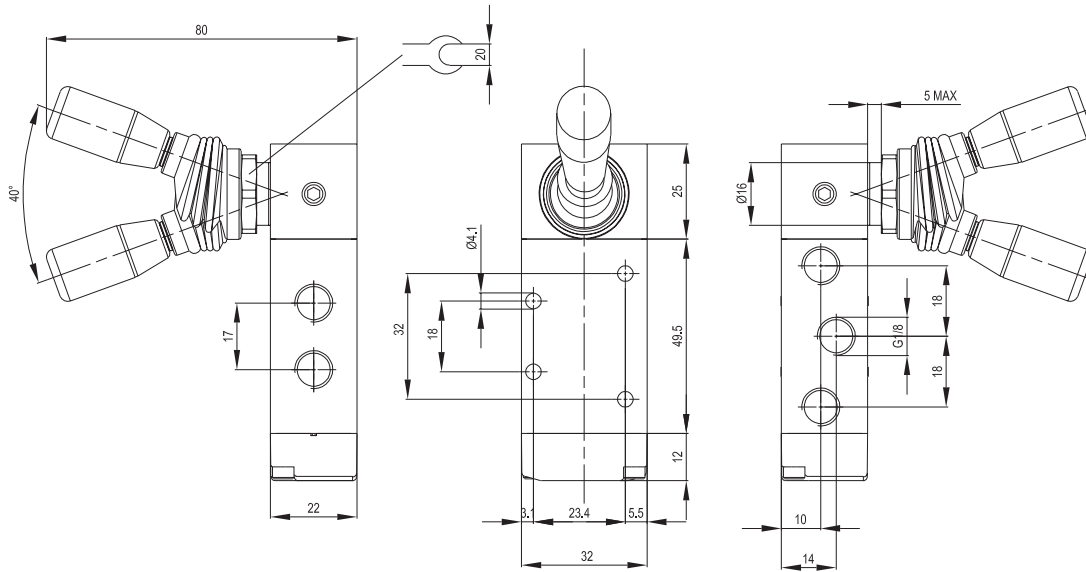
Code key

Series	Actuation	Size	Function	Actuation
A1	MA=Manual	1 = 1/8"	30 = 3/2 NC spring return	LL = side lever
			32 = 3/2 two stable positions	LT = top lever
		2 = 1/4"	50 = 5/2 spring return	TT = push-pull
			51 = 5/2 two stable positions	FR = red head push button
		70 = 5/3 CC spring return	FV = green head push button	
		71 = 5/3 CA spring return	FN = black head push button	
		72 = 5/3 CP spring return	BR = red recessed button	
		73 = 5/3 CC 3 positions	BV = green recessed button	
		74 = 5/3 CA 3 positions	BN = black recessed button	
		75 = 5/3 CP 3 positions		

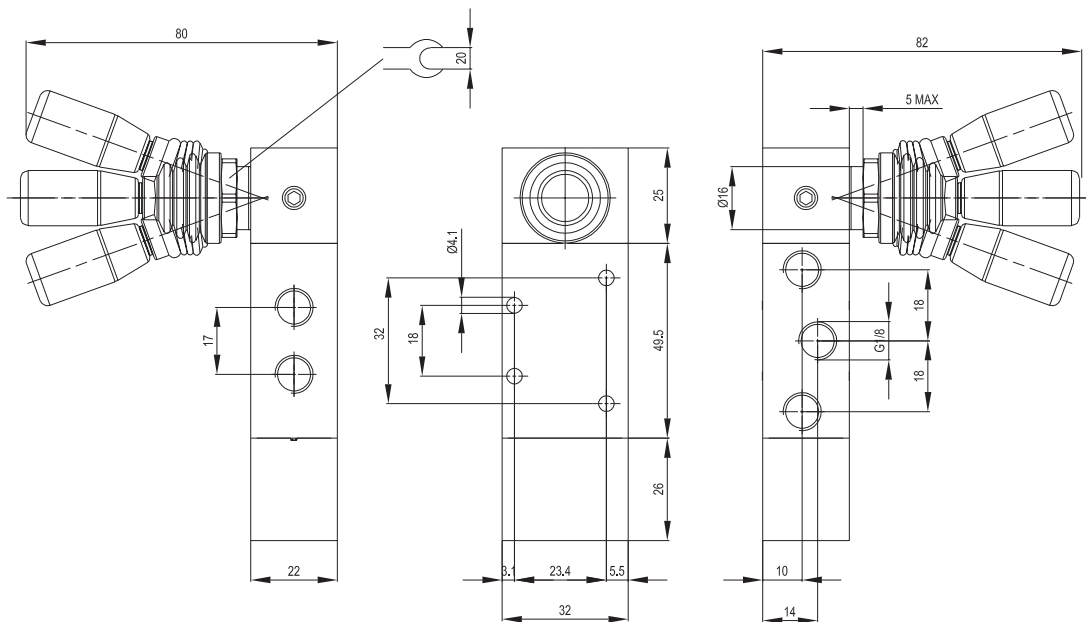


On request, they can be supplied according to 94/9/EC - ATEX

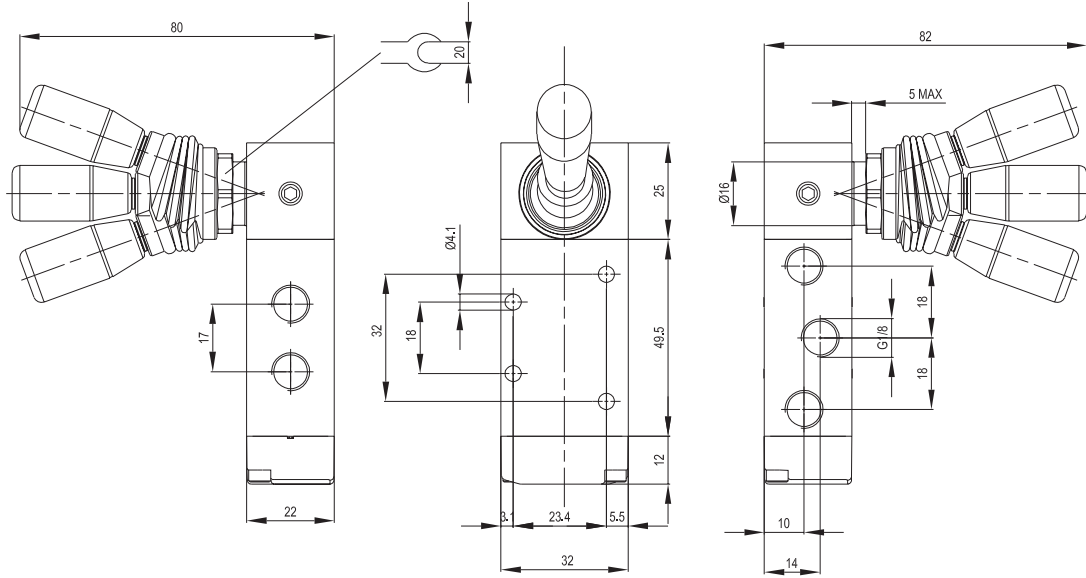
Technical data	
Fluid	Compressed filtered air with or without lubrication. Lubrication, if be used, must be continous.
Pressure range	0 ÷ 10 bar
Temperature range	-10 °C ÷ + 80°C
Orifice	6,5 mm
Flow	650 NI/min at 6 bar with ΔP 1 bar
Mounting	In any position
Materials	Body: Aluminium anodized Cover: Aluminium anodized Bottom plates: Delrin 500 Spool: Chemical nickel plated aluminium Distancers: Fortron 1140 L4 Seals: Hydrogenated Nitrile Butadiene Rubber (HNBR) Lever: Steel



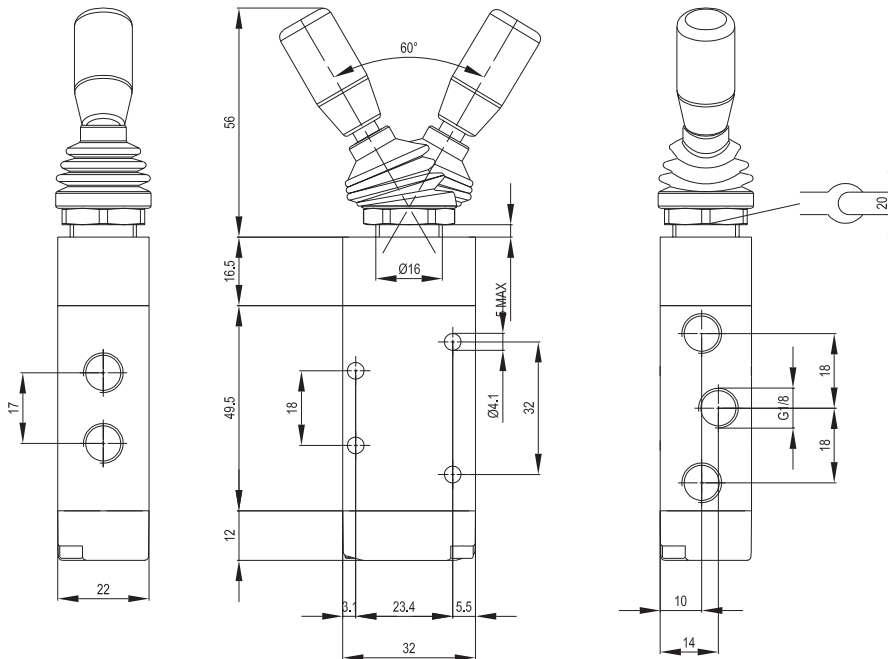
Version	Symbol	Code	Item
5/2 side lever, 1 position		034064	A1MA150LL
5/2 side lever, 2 positions		034063	A1MA151LL



Version	Symbol	Code	Item
5/3 side lever, closed centres, 1 position		034062	A1MA170LL
5/3 side lever, open centres, 1 position		034066	A1MA171LL
5/3 side lever, pressurised centres, 1 position		034065	A1MA172LL



Version	Symbol	Code	Item
5/3 side lever, closed centres, 3 positions		034068	A1MA173LL
5/3 side lever, open centres, 3 positions		034067	A1MA174LL
5/3 side lever, pressurised centres, 3 positions		034069	A1MA175LL



Versione	Version	Symbol	Code
5/2 top lever, 2 positions		034091	A1MA151LT

Valves series A1

1/8", 5/2 - 5/3, manually operated

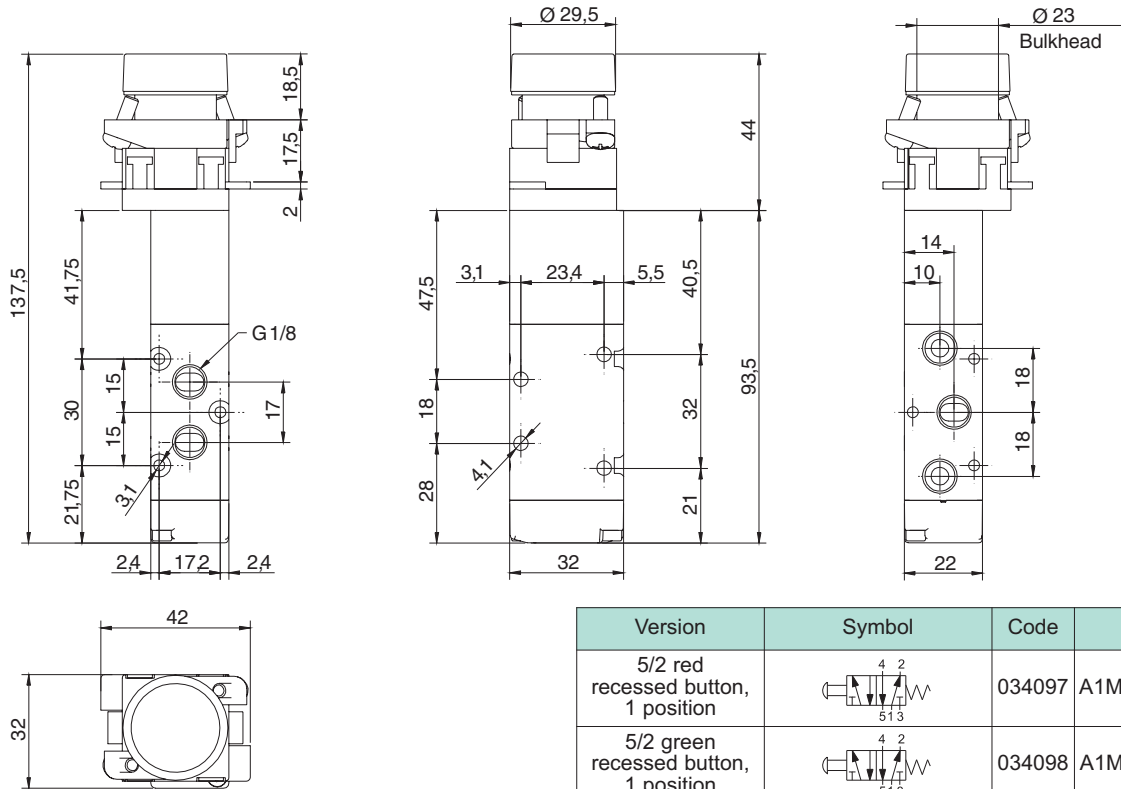


Version	Symbol	Code	Item
5/2 push-pull, 1 position		034092	A1MA150TT
5/2 push-pull, 2 positions		034093	A1MA151TT

Version	Symbol	Code	Item
5/2 red head, push button, 1 position		034094	A1MA150FR
5/2 red head, push button, 2 position		034183	A1MA151FR
5/2 green head, push button, 1 position		034095	A1MA150FV
5/2 black head, push button, 1 position		034096	A1MA150FN

Valves series A1

1/8", 5/2 - 5/3, manually operated

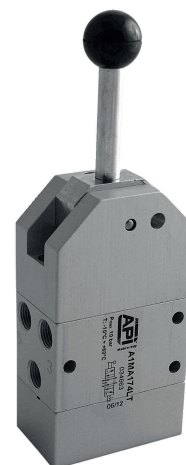


Version	Symbol	Code	Item
5/2 red recessed button, 1 position		034097	A1MA150BR
5/2 green recessed button, 1 position		034098	A1MA150BV
5/2 black recessed button, 1 position		034099	A1MA150BN

Valves series A1

1/8", 5/3, manually operated, open centres

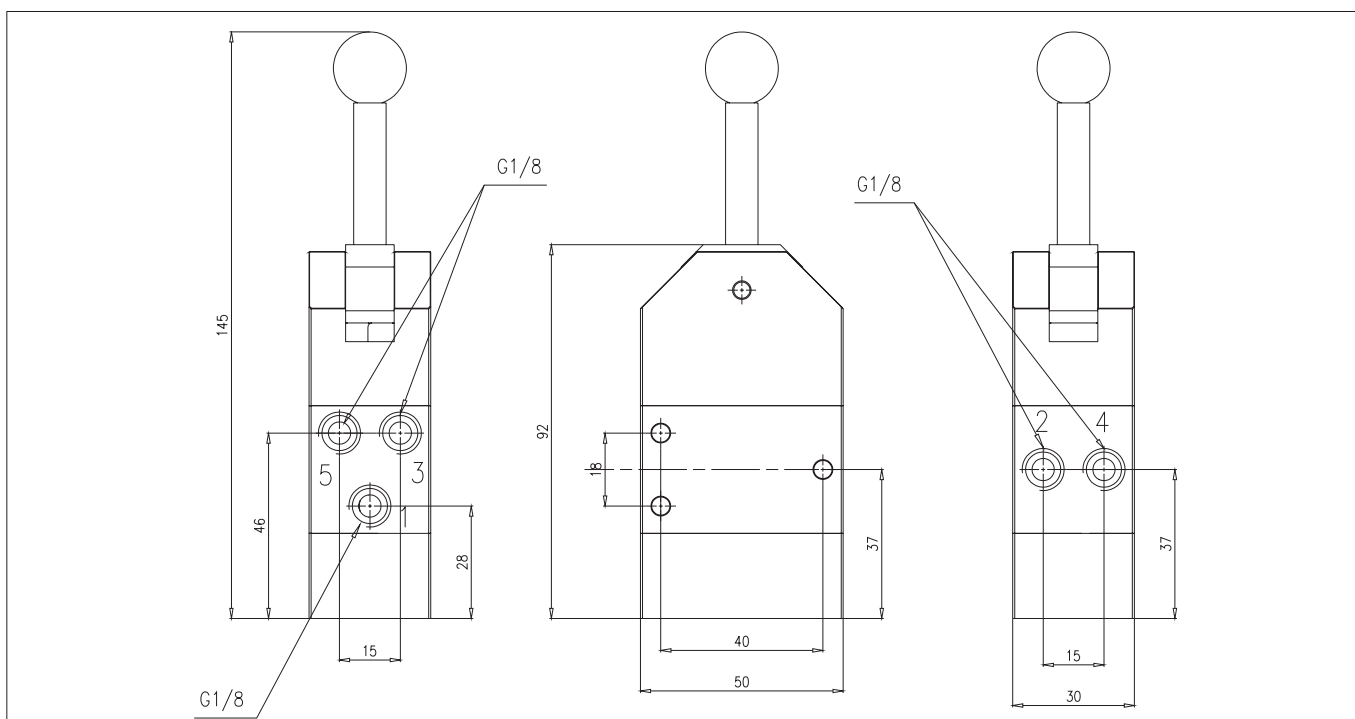
Executions			
Version	Symbol	Code	Item
5/3 , top lever open centres spring return		034662	A1MA171LT
5/3 , top lever open centres 3 position		034663	A1MA174LT



Series of spool valves, with static seals, high flow.

Code key

Series	Actuation	Size	Function	Actuation
A1	MA=Manual	1 = 1/8"	71 = 5/3 CA spring return 74 = 5/3 CA 3 positions	LT = top lever



Technical data	
Fluid	Compressed filtered air with or without lubrication. Lubrication, if be used, must be continous.
Pressure range	0 ÷ 10 bar
Temperature range	-10 °C ÷ + 80°C
Orifice	6,5 mm
Flow	650 NI/min a 6 bar with ΔP 1 bar
Mounting	In any position
Materiasi	Body: Aluminium anodized Cover: Aluminium anodized End cap: Aluminium anodized Spool: Chemical nickel plated aluminium Distancers: Fortron 1140 L4 Seals: Hydrogenated Nitrile Butadiene Rubber (HNBR) Lever: Steel

Valves series A1

1/4", 3/2, manually operated

Executions			
Version	Symbol	Code	Item
3/2 NC side lever, 1 position		034077	A1MA230LL
3/2 side lever, 2 positions		034076	A1MA232LL
3/2 top lever, 2 positions		034100	A1MA232LT
3/2 NC push-pull, 1 position		034103	A1MA230TT
3/2 push-pull, 2 positions		034104	A1MA232TT



Series of spool valves, with static seals, high flow, for panel or sub-base mounting.

II 2Gc IIC T5
II 2Dc T100°C

On request, they can be supplied according to 94/9/EC - ATEX

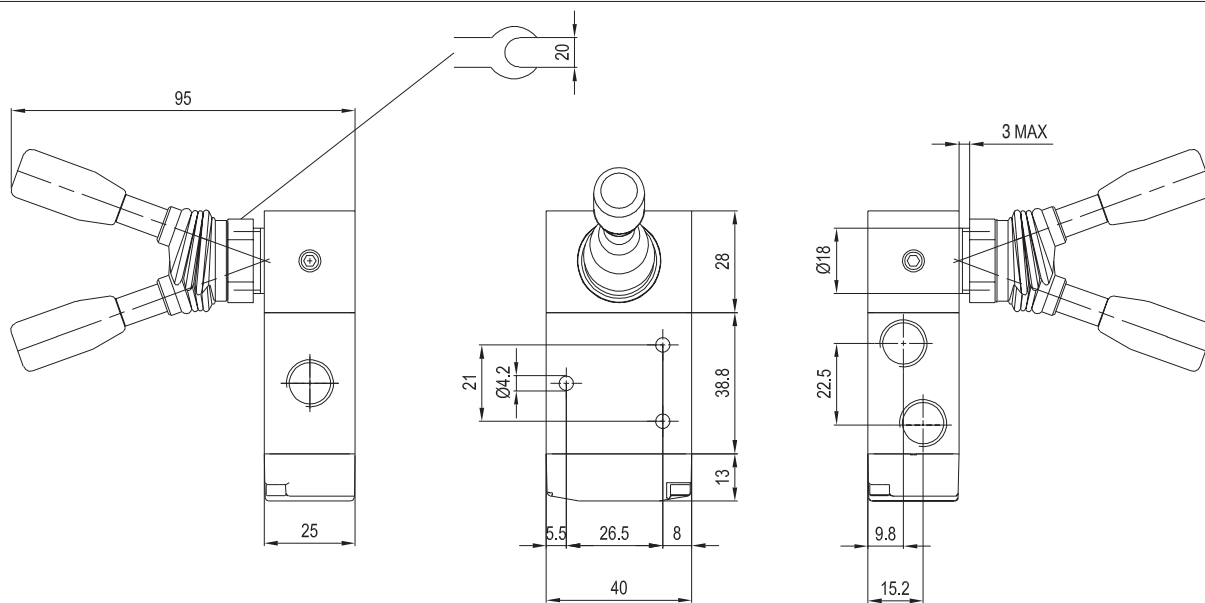
Code key

Series	Actuation	Size	Function	Actuation
A1	MA=Manual	1 = 1/8"	30 = 3/2 NC spring return	LL = side lever
			32 = 3/2 two stable positions	LT = top lever
		2 = 1/4"	50 = 5/2 spring return	TT = push-pull
			51 = 5/2 two stable positions	FR = red head push button
			70 = 5/3 CC spring return	FV = green head push button
			71 = 5/3 CA spring return	FN = black head push button
			72 = 5/3 CP spring return	BR = red recessed button
			73 = 5/3 CC 3 positions	BV = green recessed button
			74 = 5/3 CA 3 positions	BN = black recessed button
			75 = 5/3 CP 3 positions	

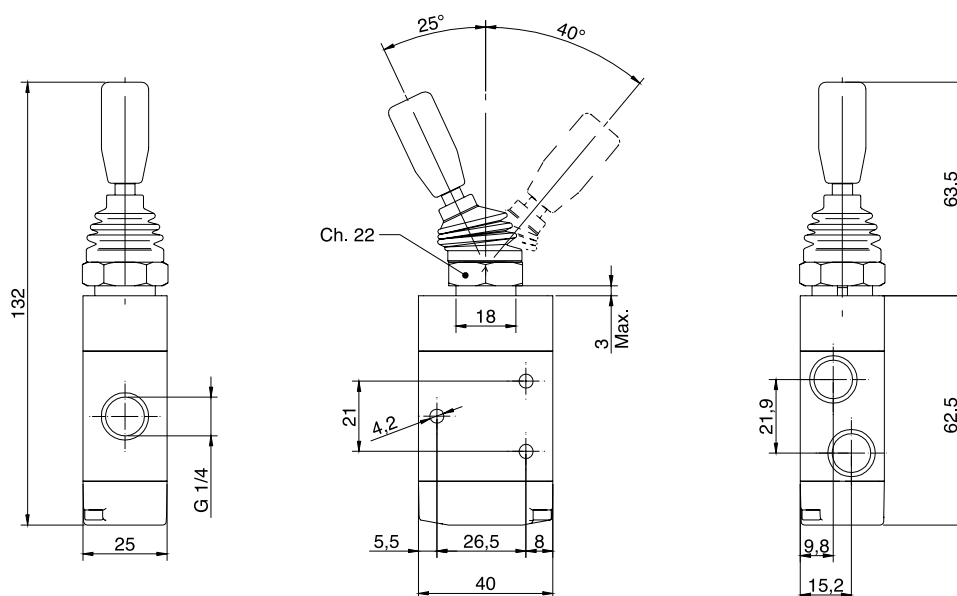
Technical data															
Fluid	Compressed filtered air with or without lubrication. Lubrication, if be used, must be continous.														
Pressure range	0 ÷ 10 bar														
Temperature range	-10 °C ÷ + 80°C														
Orifice	8 mm														
Flow	1100 NI/min at 6 bar with ΔP 1 bar														
Mounting	In any position														
Materials	<table border="0"> <tr> <td>Body:</td> <td>Aluminium anodized</td> </tr> <tr> <td>Cover:</td> <td>Aluminium anodized</td> </tr> <tr> <td>Bottom plates:</td> <td>Delrin 500</td> </tr> <tr> <td>Spool:</td> <td>Chemical nickel plated aluminium</td> </tr> <tr> <td>Distancers:</td> <td>Fortron 1140 L4</td> </tr> <tr> <td>Seals:</td> <td>Hydrogenated Nitrile Butadiene Rubber (HNBR)</td> </tr> <tr> <td>Lever:</td> <td>Steel</td> </tr> </table>	Body:	Aluminium anodized	Cover:	Aluminium anodized	Bottom plates:	Delrin 500	Spool:	Chemical nickel plated aluminium	Distancers:	Fortron 1140 L4	Seals:	Hydrogenated Nitrile Butadiene Rubber (HNBR)	Lever:	Steel
Body:	Aluminium anodized														
Cover:	Aluminium anodized														
Bottom plates:	Delrin 500														
Spool:	Chemical nickel plated aluminium														
Distancers:	Fortron 1140 L4														
Seals:	Hydrogenated Nitrile Butadiene Rubber (HNBR)														
Lever:	Steel														

Valves series A1

1/4", 3/2, manually operated

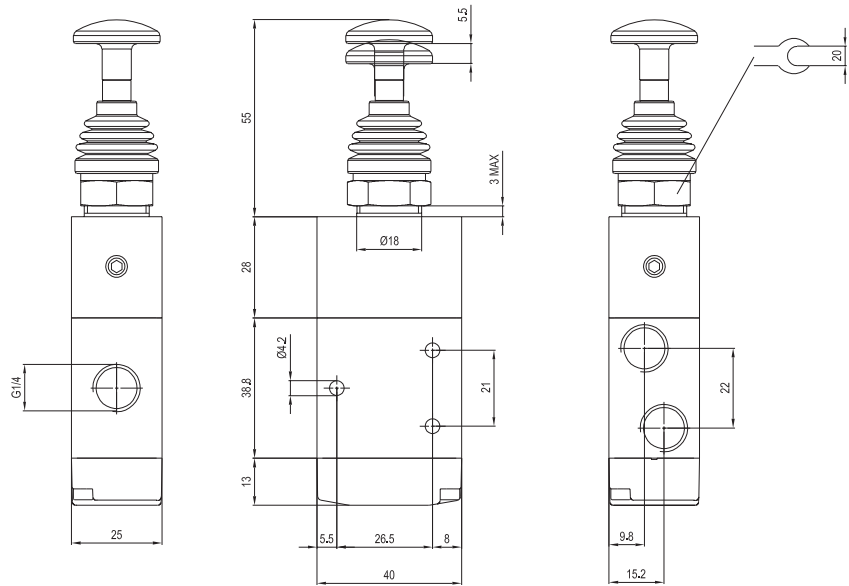


Version	Symbol	Code	Item
3/2 NC side lever, 1 position		034077	A1MA230LL
3/2 side lever, 2 positions		034076	A1MA232LL



Version	Symbol	Code	Item
3/2 top lever, 2 positions		034100	A1MA232LT

Valves series A1
1/4", 3/2, manually operated



Version	Symbol	Code	Item
3/2 NC push-pull, 1 position		034103	A1MA230TT
3/2 push-pull, 2 positions		034104	A1MA232TT

Valves series A1

1/4", 5/2 - 5/3, manually operated

Executions			
Version	Symbol	Code	Item
5/2 side lever 1 position		034078	A1MA250LL
5/2 side lever 2 positions		034079	A1MA251LL
5/3 side lever closed centres, 1 position		034072	A1MA270LL
5/3 side lever open centres, 1 position		034081	A1MA271LL
5/3 side lever pressurised centres, 1 position		034080	A1MA272LL
5/3 side lever closed centres, 3 positions		034075	A1MA273LL
5/3 side lever open centres, 3 positions		034073	A1MA274LL
5/3 side lever pressurised centres, 3 positions		034074	A1MA275LL
5/2 top lever 2 positions		034105	A1MA251LT
5/2 push-pull 1 position		034106	A1MA250TT
5/2 push-pull 2 positions		034107	A1MA251TT



Series of spool valves, with static seals, high flow, for panel or sub-base mounting.

Code key

Series	Actuation	Size	Function	Actuation
A1	MA=Manual	1 = 1/8"	30 = 3/2 NC spring return	LL = side lever
			32 = 3/2 two stable positions	LT = top lever
		2 = 1/4"	50 = 5/2 spring return	TT = push-pull
			51 = 5/2 two stable positions	FR = red head push button
			70 = 5/3 CC spring return	FV = green head push button
			71 = 5/3 CA spring return	FN = black head push button
			72 = 5/3 CP spring return	BR = red recessed button
			73 = 5/3 CC 3 positions	BV = green recessed button
			74 = 5/3 CA 3 positions	BN = black recessed button
			75 = 5/3 CP 3 positions	



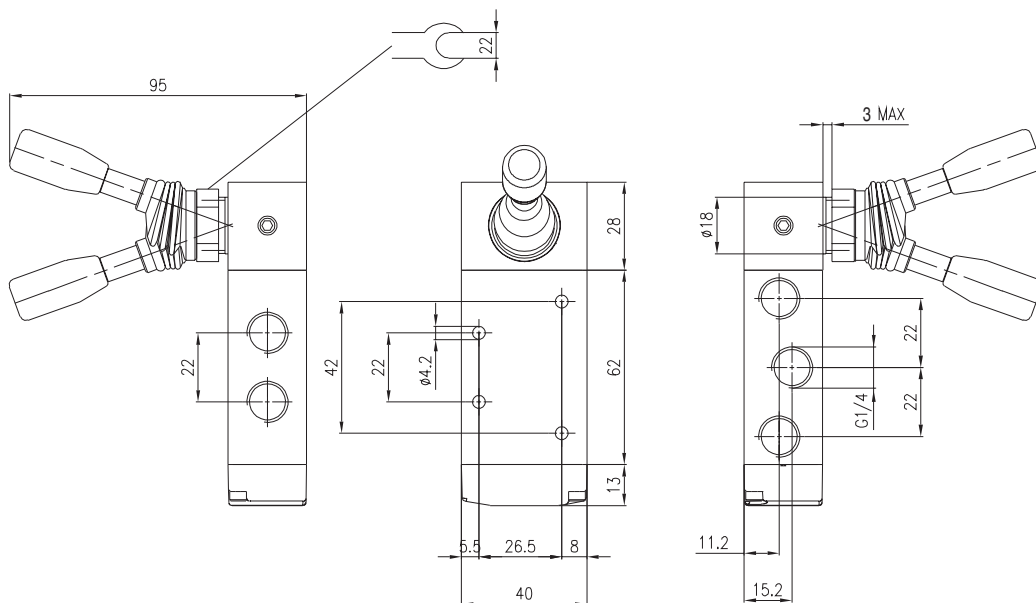
II 2Gc IIC T5
II 2Dc T100°C

On request, they can be supplied according to 94/9/EC - ATEX

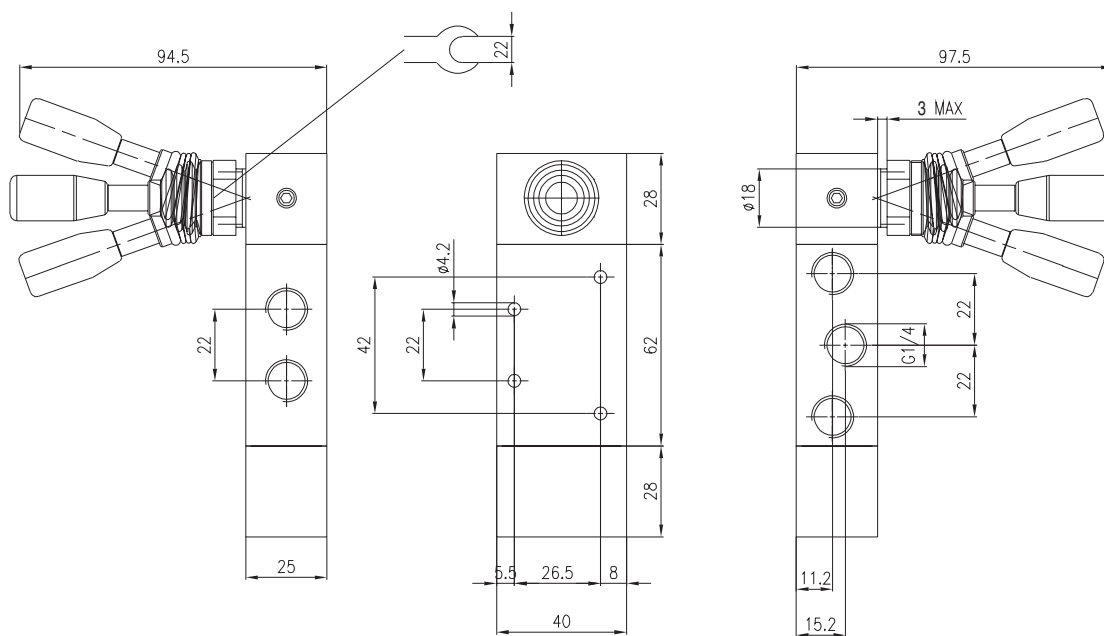
Technical data															
Fluid	Compressed filtered air with or without lubrication. Lubrication, if be used, must be continuous.														
Pressure range	0 ÷ 10 bar														
Temperature range	-10 °C ÷ + 80°C														
Orifice	8 mm														
Flow	1100 NI/min at 6 bar with ΔP 1 bar														
Mounting	In any position														
Materials	<table border="0"> <tr> <td>Body:</td> <td>Aluminium anodized</td> </tr> <tr> <td>Cover:</td> <td>Aluminium anodized</td> </tr> <tr> <td>Bottom plates:</td> <td>Delrin 500</td> </tr> <tr> <td>Spool:</td> <td>Chemical nickel plated aluminium</td> </tr> <tr> <td>Distancers:</td> <td>Fortron 1140 L4</td> </tr> <tr> <td>Seals:</td> <td>Hydrogenated Nitrile Butadiene Rubber (HNBR)</td> </tr> <tr> <td>Lever:</td> <td>Steel</td> </tr> </table>	Body:	Aluminium anodized	Cover:	Aluminium anodized	Bottom plates:	Delrin 500	Spool:	Chemical nickel plated aluminium	Distancers:	Fortron 1140 L4	Seals:	Hydrogenated Nitrile Butadiene Rubber (HNBR)	Lever:	Steel
Body:	Aluminium anodized														
Cover:	Aluminium anodized														
Bottom plates:	Delrin 500														
Spool:	Chemical nickel plated aluminium														
Distancers:	Fortron 1140 L4														
Seals:	Hydrogenated Nitrile Butadiene Rubber (HNBR)														
Lever:	Steel														

Valves series A1

1/4", 5/2 - 5/3, manually operated



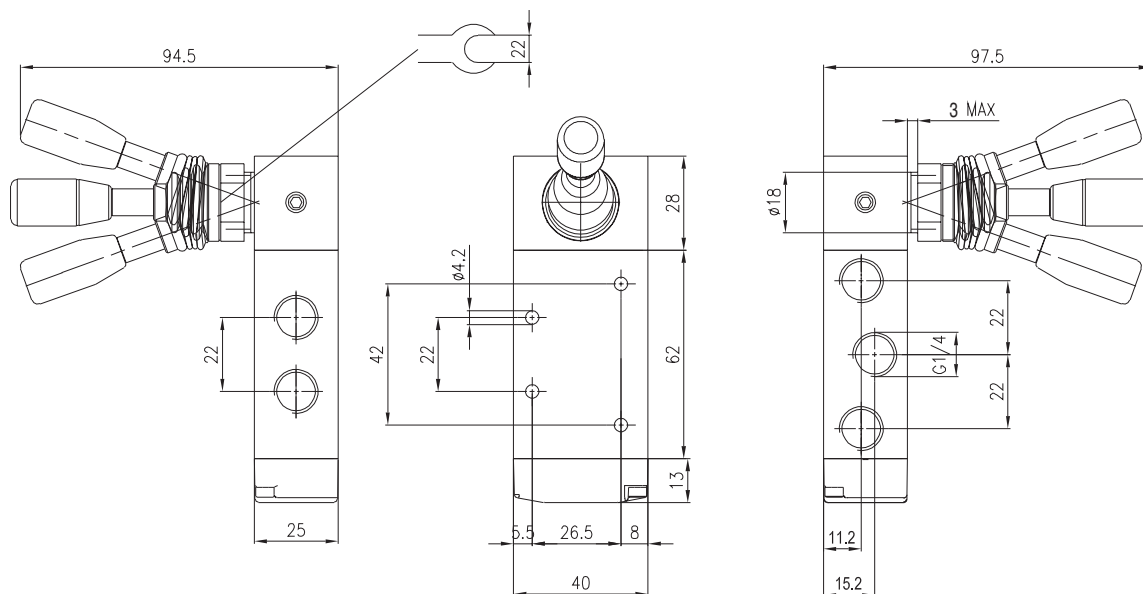
Version	Symbol	Code	Item
5/2 side lever, 1 position		034078	A1MA250LL
5/2 side lever, 2 positions		034079	A1MA251LL



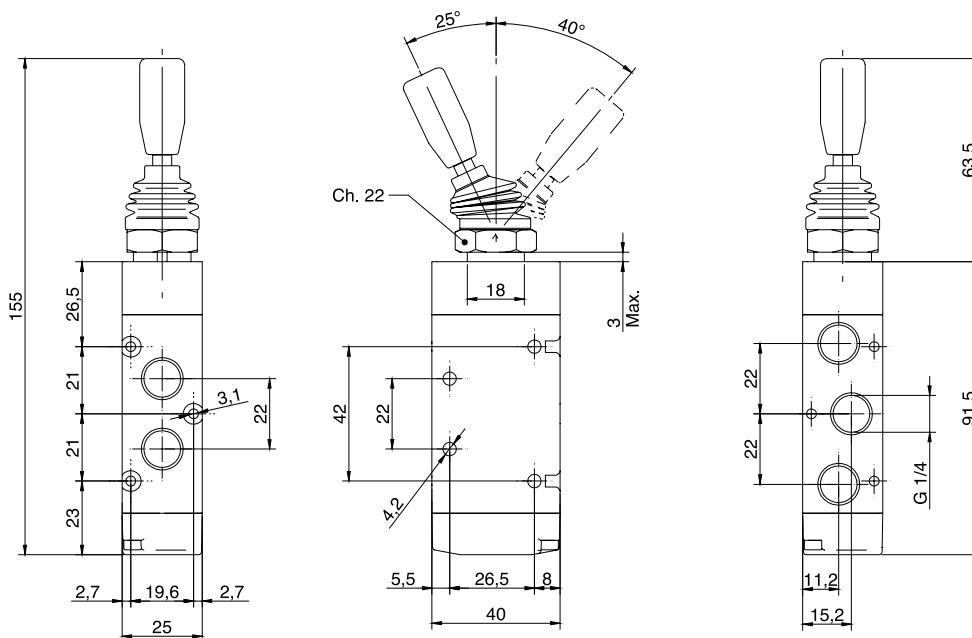
Versione	Simbolo	Codice	Articolo
5/3 side lever, closed centres, 1 position		034072	A1MA270LL
5/3 side lever, open centres, 1 position		034081	A1MA271LL
5/3 side lever, pressurised centres, 1 position		034080	A1MA272LL

Valves series A1

1/4", 5/2 - 5/3, manually operated



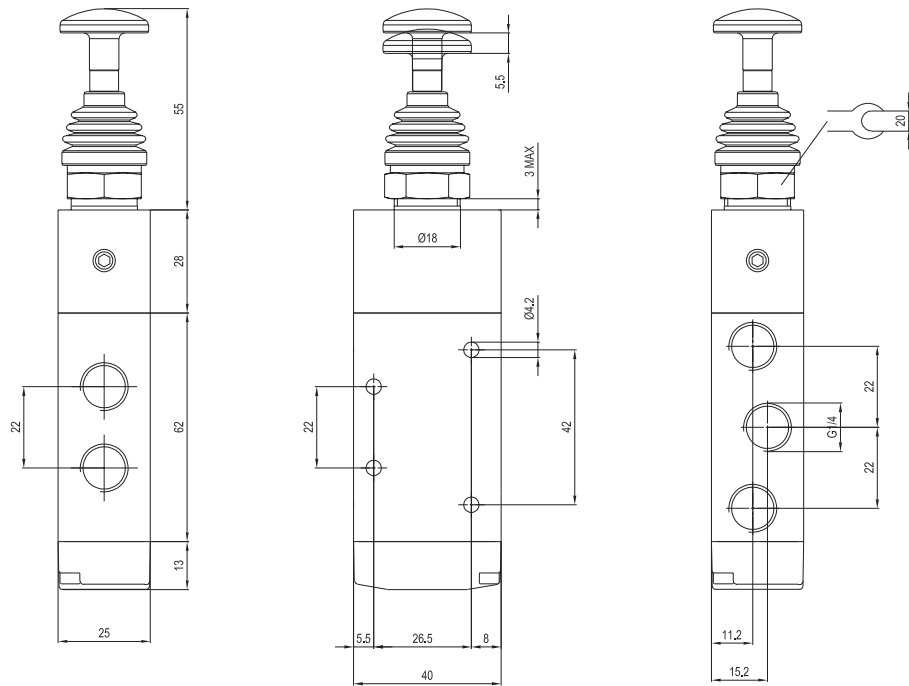
Versione	Simbolo	Codice	Articolo
5/3 side lever, closed centres, 3 positions		034075	A1MA273LL
5/3 side lever, open centres, 3 positions		034073	A1MA274LL
5/3 side lever, pressurised centres, 3 positions		034074	A1MA275LL



Versione	Simbolo	Codice	Articolo
5/2 top lever, 2 positions		034105	A1MA251LT

Valves series A1

1/4", 5/2 - 5/3, manually operated



Versione	Simbolo	Codice	Articolo
5/2 push-pull, 1 position		034106	A1MA250TT
5/2 push-pull, 2 positions		034107	A1MA251TT