

**RAPID Fittings Nickel-Plated Brass (Push-on)**



**Rapid brass**

Operating pressure: Technical vacuum up to maximum pressure as stated in the respective specification table under PN.  
 Temperature range: -40 °C to +120 °C  
 (for restrictions see specification table)

**Application**

RAPID fittings are used with aggressive gaseous and liquid media, where elastomer seals are not resistant. With guide cone and Cap nut these fittings are particularly suited to very harsh operating conditions.

**CHARACTERISTICS**

**BODY MATERIAL / SUITABILITY**

<b>Nickel-plated brass</b>	CuZn39Pb3, galvanically nickel-plated. Suitable for many neutral gaseous and liquid media, especially compressed air, water, hydraulic oil etc. Special version chemically nickel-plated with FKM seal ring, FDA compliant.
Other materials	see relevant products

**TUBE**

Outside diameter [mm]	4.3/3   5/3   6/4   8/6   10/8	11.5/9   12/9   12/10   15/12.5   17.6/13
Permitted tolerance outside D	±0.1	±0.15
Permitted tolerance inside d	±0.1	±0.15
Permitted wall thickness tolerance	±0.1 With very soft tubes, for example PVC tubes, variations in the outside diameter or wall thickness of up to + 5/10 are allowable. In case of doubt please ask.	
Permitted grades	Polyamide (PA), polyurethane (PU), polyethylene (PE), fabric reinforced PVC, fluoropolymer (FEP) (PFA)	
<b>THREAD</b>		
External thread	“M” cylindrical thread: Metric ISO thread M5, M6 and M7.	
External thread	“G” cylindrical thread: Whitworth pipe thread DIN ISO 228-1 G 1/8 to G 1/2.	
External thread	“R” cylindrical thread: Whitworth pipe thread DIN 2999-1 and ISO 7/1 R 1/8 to R 1/2. Dimensions constructed so there can be pairing with internal thread according to DIN ISO 228-1.	
Internal thread	“G” cylindrical thread: Whitworth pipe thread DIN ISO 228-1 G 1/8 to G 1/2.	

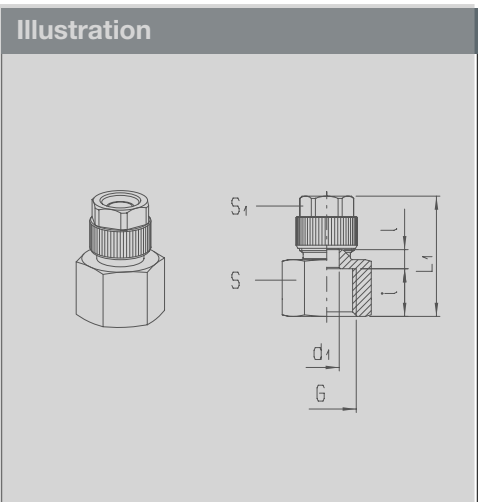
**OPERATING PRESSURE / TEMPERATURE**

Metal version	PN 25	T <sub>min</sub> -40 °C T <sub>max</sub> +120 °C	Means that the fitting can be used up to the given nominal pressure PN within the specified temperature range “T”. <b>Allowable operating pressure and operating temperature of pipe/tube must be observed!</b>
---------------	-------	---	--

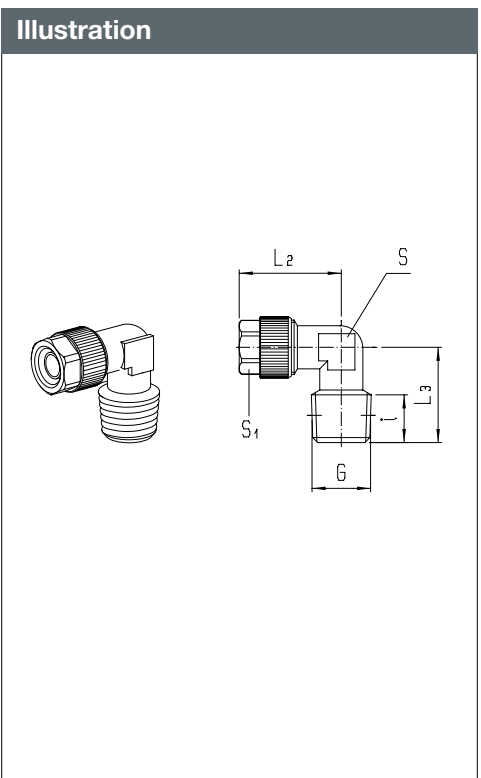
**THREAD SEAL**

Cylindrical threaded nipple	Seal with sealing rings made of copper, fibre, aluminium, polyamide or hard PVC.		
Conical threaded nipple	External thread self-sealing with pre-coating “D”	Film with non-reactive mineral solid materials, non-adhesive. Resistant to air, water, motor oils etc. in temperature range of -40 °C to +120 °C.	
Straight, 90° elbow and T-adaptors, male	not suitable for rotating or oscill. movements	Some types of fittings are 360°-swivelling to facilitate adjustment during assembly.	

Straight Adaptor - Female											
Product group	11	PN	25	T <sub>min</sub>	-40 °C	T <sub>max</sub>	+120 °C	Cylindrical thread	Nickel-plated brass		
for tube D/d	G	i	L1*	l	d1	S1	S	Weight in [g]	Type	Order number	Price
4.3/3	G 1/8	8	21	-	2.2	7	13	10.3	146M-43/3-1/8	300806	o. r.
5/3	G 1/8	8	21	-	2.2	7	13	10.3	146M-5/3-1/8	300809	o. r.
6/4	G 1/8	8	24	7	5.5	10	13	15.3	146M-6/4-1/8	300814	o. r.
6/4	G 1/4	10.5	26.5	7	5.5	10	17	21.1	146M-6/4-1/4	300815	o. r.
8/6	G 1/8	8	24	7	5.5	12	13	17.5	146M-8/6-1/8	300820	o. r.
8/6	G 1/4	10.5	26.5	7	5.5	12	17	26.4	146M-8/6-1/4	300821	o. r.
8/6	G 3/8	11.5	27.5	7	6.5	12	19	23.7	146M-8/6-3/8	300822	o. r.
8/6	G 1/2	15	31.5	7	6.5	12	24	38.2	146M-8/6-1/2	300823	o. r.
10/8	G 1/4	10.5	28	-	7	13	17	27.7	146M-10/8-1/4	300830	o. r.
10/8	G 3/8	11.5	29	-	7	13	19	29.6	146M-10/8-3/8	300831	o. r.
10/8	G 1/2	15	33	-	7	13	24**	42.6	146M-10/8-1/2	300832	o. r.
11.5/9	G 3/8	11.5	30.5	-	7.5	15	19	32.2	146M-115/9-3/8	300834	o. r.
12/9	G 3/8	11.5	30.5	-	7.5	15	19	31.7	146M-12/9-3/8	300837	o. r.



90° Elbow Adaptor - Male											
Product group	11	PN	25	T <sub>min</sub>	-40 °C	T <sub>max</sub>	+120 °C	Conical thread	Thread "D" self-sealing	Nickel-plated brass	
for tube D/d	G	i	L2*	L3	S1	S	self-sealing opt. "D"	Weight in [g]	Type	Order number	Price
4.3/3	R 1/8	7.5	18	17	7	8	-	10	150M-43/3-1/8K	301156	o. r.
5/3	R 1/8	7.5	18	17	7	8	-	10	150M-5/3-1/8K	301159	o. r.
6/4	R 1/8	7.5	21.5	17	10	8	-	13.3	150M-6/4-1/8K	301164	o. r.
6/4	R 1/8	7.5	21.5	17	10	8	D	13.3	150M-6/4-D1/8K	306864	o. r.
6/4	R 1/4	10.5	22.5	21	10	10	-	22.4	150M-6/4-1/4K	301165	o. r.
6/4	R 1/4	10.5	22.5	21	10	10	D	22.4	150M-6/4-D1/4K	306865	o. r.
8/6	R 1/8	7.5	21.5	17	12	8	-	15.1	150M-8/6-1/8K	301170	o. r.
8/6	R 1/8	7.5	21.5	17	12	8	D	15.1	150M-8/6-D1/8K	306870	o. r.
8/6	R 1/4	10.5	22.5	21	12	10	-	23.1	150M-8/6-1/4K	301171	o. r.
8/6	R 1/4	10.5	22.5	21	12	10	D	23.1	150M-8/6-D1/4K	306871	o. r.
8/6	R 3/8	11.5	26.5	25	12	13	-	40.4	150M-8/6-3/8K	301172	o. r.
8/6	R 3/8	11.5	26.5	25	12	13	D	40.4	150M-8/6-D3/8K	306872	o. r.
10/8	R 1/8	7.5	24	17	13	10	-	20.2	150M-10/8-1/8K	301179	o. r.
10/8	R 1/8	7.5	24	17	13	10	D	20.2	150M-10/8-D1/8K	306879	o. r.
10/8	R 1/4	10.5	24	21	13	10	-	24.3	150M-10/8-1/4K	301180	o. r.
10/8	R 1/4	10.5	24	21	13	10	D	24.3	150M-10/8-D1/4K	306880	o. r.
10/8	R 3/8	11.5	27	25	13	13	-	37.8	150M-10/8-3/8K	301181	o. r.
10/8	R 3/8	11.5	27	25	13	13	D	37.8	150M-10/8-D3/8K	306881	o. r.
11.5/9	R 1/4	10.5	29	23	15	13	-	39.4	150M-115/9-1/4K	301183	o. r.
11.5/9	R 3/8	11.5	29	25	15	13	-	42.6	150M-115/9-3/8K	301184	o. r.
12/9	R 1/4	10.5	29	23	15	13	-	38.5	150M-12/9-1/4K	301186	o. r.
12/9	R 3/8	11.5	29	25	15	13	-	41.5	150M-12/9-3/8K	301187	o. r.
12/10	R 3/8	11.5	29	25	15	13	-	41	150M-12/10-3/8K	301193	o. r.
15/12.5	R 1/2	14	32.5	29	19	17	-	71.8	150M-15/12.5-1/2K	301198	o. r.
17.6/13	R 1/2	14	32.5	29	22	17	-	69.8	150M-17.6/13-1/2K	301200	o. r.



90° Elbow Adaptor - Male - Positionable											
Product group	11	PN	16	T <sub>min</sub>	-20 °C	T <sub>max</sub>	+80 °C	Cylindrical thread	Sealing ring: NBR	not suitable for rotating or oscill. movement	Nickel-plated brass
for tube D/d	G	i	L2*	L3	S1	S4	S	Weight in [g]	Type	Order number	Price
6/4	G 1/8	6	22.5	14.5	10	10	13	24.5	130M-6/4-1/8	301314	o. r.
6/4	G 1/4	8	22.5	14.5	10	10	17	30.8	130M-6/4-1/4	301315	o. r.
8/6	G 1/8	6	22.5	14.5	12	10	13	25.2	130M-8/6-1/8	301320	o. r.
8/6	G 1/4	8	22.5	14.5	12	10	17	32.5	130M-8/6-1/4	301321	o. r.
10/8	G 1/4	8	24	14.5	13	10	17	28.7	130M-10/8-1/4	301330	o. r.

