

RAPID Fittings Nickel-Plated Brass (Push-on)



Rapid brass

Operating pressure: Technical vacuum up to maximum pressure as stated in the respective specification table under PN.
 Temperature range: -40 °C to +120 °C
 (for restrictions see specification table)

Application

RAPID fittings are used with aggressive gaseous and liquid media, where elastomer seals are not resistant. With guide cone and Cap nut these fittings are particularly suited to very harsh operating conditions.

CHARACTERISTICS

BODY MATERIAL / SUITABILITY

Nickel-plated brass	CuZn39Pb3, galvanically nickel-plated. Suitable for many neutral gaseous and liquid media, especially compressed air, water, hydraulic oil etc. Special version chemically nickel-plated with FKM seal ring, FDA compliant.
Other materials	see relevant products

TUBE

Outside diameter [mm]	4.3/3 5/3 6/4 8/6 10/8	11.5/9 12/9 12/10 15/12.5 17.6/13
Permitted tolerance outside D	±0.1	±0.15
Permitted tolerance inside d	±0.1	±0.15
Permitted wall thickness tolerance	±0.1 With very soft tubes, for example PVC tubes, variations in the outside diameter or wall thickness of up to + 5/10 are allowable. In case of doubt please ask.	
Permitted grades	Polyamide (PA), polyurethane (PU), polyethylene (PE), fabric reinforced PVC, fluoropolymer (FEP) (PFA)	

THREAD

External thread	“M” cylindrical thread: Metric ISO thread M5, M6 and M7.
External thread	“G” cylindrical thread: Whitworth pipe thread DIN ISO 228-1 G 1/8 to G 1/2.
External thread	“R” cylindrical thread: Whitworth pipe thread DIN 2999-1 and ISO 7/1 R 1/8 to R 1/2. Dimensions constructed so there can be pairing with internal thread according to DIN ISO 228-1.
Internal thread	“G” cylindrical thread: Whitworth pipe thread DIN ISO 228-1 G 1/8 to G 1/2.

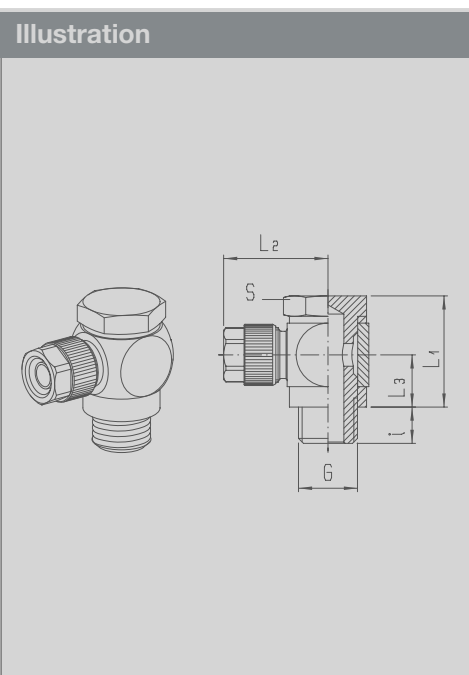
OPERATING PRESSURE / TEMPERATURE

Metal version	PN 25 T _{min} -40 °C T _{max} +120 °C	Means that the fitting can be used up to the given nominal pressure PN within the specified temperature range “T”. Allowable operating pressure and operating temperature of pipe/tube must be observed!
---------------	--	--

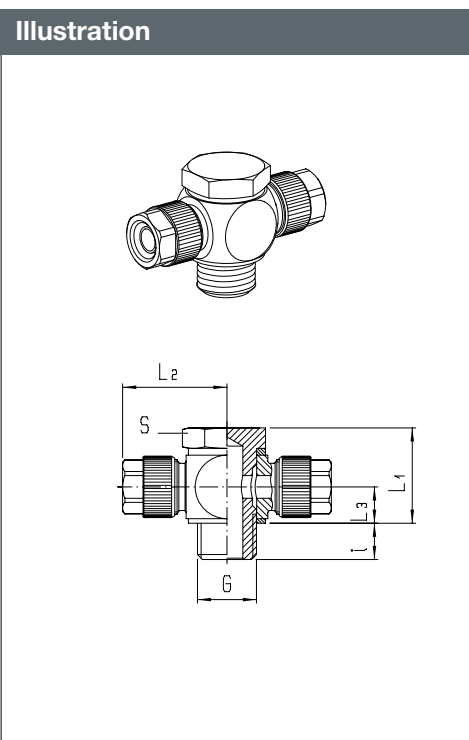
THREAD SEAL

Cylindrical threaded nipple	Seal with sealing rings made of copper, fibre, aluminium, polyamide or hard PVC.	
Conical threaded nipple	External thread self-sealing with pre-coating “D”	Film with non-reactive mineral solid materials, non-adhesive. Resistant to air, water, motor oils etc. in temperature range of -40 °C to +120 °C.
Straight, 90° elbow and T-adaptors, male	not suitable for rotating or oscill. movements	Some types of fittings are 360°-swivelling to facilitate adjustment during assembly.

Banjo - Long											
Product group	11	PN 25	Seal: N = polyamide T _{min} -20 °C, T _{max} +90 °C		Cylindrical thread						Nickel-plated brass
for tube D/d	G	i**	L1**	L2*	L3**	S	Weight in [g]	Type	Order number	Price	
4.3/3	G 1/8	6.5	24	18	12	14	29.4	156M-43/3S-1/8N	326522	o. r.	
5/3	G 1/8	6.5	24	18	12	14	29.4	156M-5/3S-1/8N	326534	o. r.	
6/4	G 1/8	6.5	24	21	12	14	34.7	156M-6/4S-1/8N	326562	o. r.	
6/4	G 1/4	8	24.5	23	12	17	53	156M-6/4S-1/4N	326566	o. r.	
6/4	G 3/8	9	25	26.5	12	19	64.8	156M-6/4-3/8N	326870	o. r.	
6/4	G 1/2	10	25	29	12	27	106	156M-6/4-1/2N	326874	o. r.	
8/6	G 1/8	6.5	24	21	12	14	36.4	156M-8/6S-1/8N	326598	o. r.	
8/6	G 1/4	8	24.4	23	12	17	53.6	156M-8/6S-1/4N	326602	o. r.	
8/6	G 3/8	9	25	26.5	12	19	63	156M-8/6-3/8N	326906	o. r.	
8/6	G 1/2	10	25	29	12	27	105	156M-8/6-1/2N	326910	o. r.	
10/8	G 1/8	6.5	24	22.5	12	14	38.6	156M-10/8S-1/8N	326634	o. r.	
10/8	G 1/4	8	24.5	24.5	12	17	57	156M-10/8S-1/4N	326638	o. r.	
10/8	G 3/8	9	25	28	12	19	66	156M-10/8-3/8N	326942	o. r.	
10/8	G 1/2	10	25	30.5	12	27	110	156M-10/8-1/2N	326946	o. r.	
11.5/9	G 3/8	9	25	29.5	12	19	70	156M-115/9-3/8N	326954	o. r.	
12/9	G 3/8	9	25	29.5	12	19	71	156M-12/9-3/8N	326966	o. r.	
12/10	G 3/8	9	25	29.5	12	19	71	156M-12/10-3/8N	326990	o. r.	
12/10	G 1/2	10	25	32	12	27	108	156M-12/10-1/2N	326994	o. r.	
15/12.5	G 1/2	10	25	34.5	12	27	117	156M-15/125-1/2N	327010	o. r.	
17.6/13	G 1/2	10	25	34.5	12	27	115	156M-176/13-1/2N	327018	o. r.	



T-Banjo - Short											
Product group	11	PN 25	Seal: A = Alu T _{min} -20 °C, T _{max} +120 °C		Seal: N = polyamide T _{min} -20 °C, T _{max} +90 °C						Nickel-plated brass
for tube D/d	G	i**	L1**	L2*	L3**	S	Weight in [g]	Type	Order number	Price	
4.3/3	M 5	4.5	13.5	15.5	5	8	13	153M-43/3S-M5N	328014	o. r.	
4.3/3	G 1/8	6	20.5	18	8	14	30.3	153M-43/3S-1/8A	328021	o. r.	
4.3/3	G 1/8	6	20.5	18	8	14	30.3	153M-43/3S-1/8N	328022	o. r.	
5/3	M 5	4.5	13.5	15.5	5	8	13.2	153M-5/3S-M5N	328026	o. r.	
5/3	G 1/8	6	20.5	18	8	14	30.9	153M-5/3S-1/8A	328033	o. r.	
5/3	G 1/8	6	20.5	19	8	14	30.9	153M-5/3S-1/8N	328034	o. r.	
6/4	M 5	4.5	13.5	16.5	5	8	14.4	153M-6/4S-M5N	328038	o. r.	
6/4	G 1/8	6	20.5	21	8	14	40.3	153M-6/4S-1/8A	328061	o. r.	
6/4	G 1/8	6	20.5	21	8	14	40.3	153M-6/4S-1/8N	328062	o. r.	
6/4	G 1/4	8	21	23	8	17	56	153M-6/4S-1/4A	328065	o. r.	
6/4	G 1/4	8	21	23	8	17	56	153M-6/4S-1/4N	328066	o. r.	
6/4	G 3/8	8.5	22	26.5	8.5	19	68	153M-6/4-3/8A	328369	o. r.	
6/4	G 3/8	8.5	22	26.5	8.5	19	68	153M-6/4-3/8N	328370	o. r.	
6/4	G 1/2	9.5	22	29	8.5	27	114	153M-6/4-1/2A	328373	o. r.	
6/4	G 1/2	9.5	22	29	8.5	27	114	153M-6/4-1/2N	328374	o. r.	
8/6	G 1/8	6	20.5	21	8	14	42.5	153M-8/6S-1/8A	328097	o. r.	
8/6	G 1/8	6	20.5	21	8	14	42.5	153M-8/6S-1/8N	328098	o. r.	
8/6	G 1/4	8	21	23	8	17	62	153M-8/6S-1/4A	328101	o. r.	
8/6	G 1/4	8	21	23	8	17	62	153M-8/6S-1/4N	328102	o. r.	
8/6	G 3/8	8.5	22	26.5	8.5	19	72	153M-8/6-3/8A	328405	o. r.	
8/6	G 3/8	8.5	22	26.5	8.5	19	72	153M-8/6-3/8N	328406	o. r.	
8/6	G 1/2	9.5	22	29	8.5	27	113	153M-8/6-1/2A	328409	o. r.	
8/6	G 1/2	9.5	22	29	8.5	27	113	153M-8/6-1/2N	328410	o. r.	



* approximate with fastened cap nut ** approximate with fastened fitting