

Valves series A1
1/8", 3/2, pneumatically operated

Standard executions			
Version	Symbol	Code	Item
3/2 NC		034014	A1P130
3/2 NO		034015	A1P131
3/2 pilot/pilot		034016	A1P132
3/2 pilot/pilot differential		034017	A1P133



Series of spool valves, with static seals, high flow, for panel or sub-base mounting.
For the sub-bases type A1B1... see page.2.65.1

CE **II 2Gc IIB T5**
II 2Dc T100°C

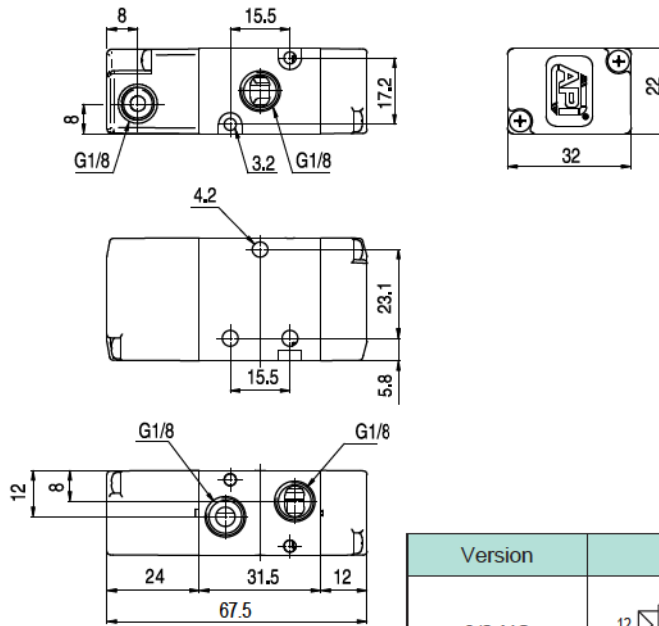
On request, they can be supplied according to 2014/34/EU - ATEX

Options	Suffix
Low temperature seals (-25 ÷ +60°C)	BT

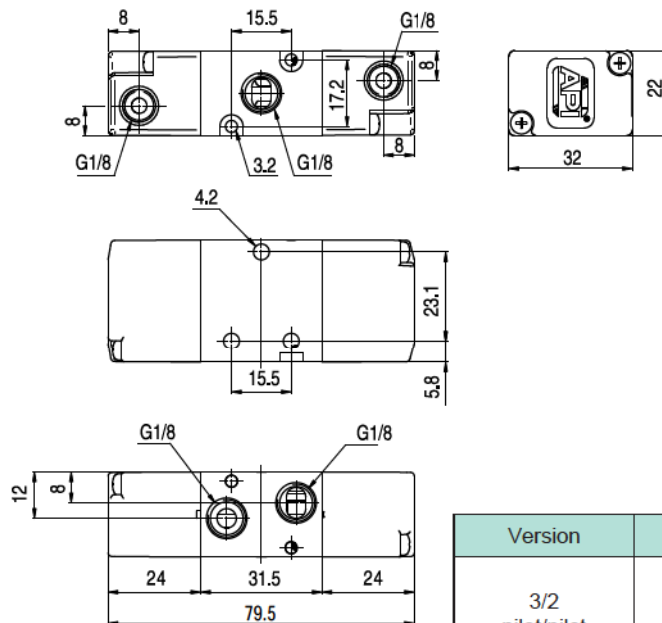
Code key

Series	Actuation	Size	Function	Options
A1	P = pneumatic	1 = 1/8"	30 = 3/2 NC 31 = 3/2 NO 32 = 3/2 pilot/pilot 33 = 3/2 pilot/pilot differential	BT = low temp. seals

Technical data	
Fluid	Compressed filtered air with or without lubrication. Lubrication, if be used, must be continous.
Pressure range	Spring return: 1,5 ÷ 10 bar Bistable: 1 ÷ 10 bar
Temperature range	-10°C ÷ +60°C (standard) -25°C ÷ +60°C (BT)
Orifice	6,5 mm
Flow	650 NI/min at 6 bar with ΔP 1bar
Minimum piloting pressure	1,5 bar
Mounting	In any position
Materials	Body: Anodised aluminium Covers: Hostaform C 13031 Spool: Hard aluminium anodized Distancers: Ixef 1022 Seals: Hydrogenated Nitrile Butadiene Rubber (HNBR)



Version	Symbol	Code	Item
3/2 NC		034014	A1P130
3/2 NO		034015	A1P131



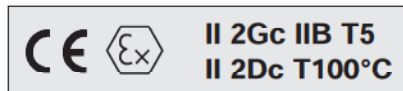
Version	Symbol	Code	Item
3/2 pilot/pilot		034016	A1P132
3/2 pilot/pilot differential		034017	A1P133

Valves series A1
1/8", 5/2 - 5/3, pneumatically operated

Standard executions			
Version	Symbol	Code	Item
5/2 pilot/pilot		034001	A1P150
5/2 pilot/pilot		034002	A1P151
5/2 pilot/pilot differential		034018	A1P152
5/3 with closed centres		034019	A1P170
5/3 with open centres		034020	A1P171
5/3 with pressurised centres		034022	A1P172
5/3 with closed centres differential		034175	A1P173



Series of spool valves, with static seals, high flow, for panel or sub-base mounting.
For the sub-bases type A1B1... see page 2.65.1



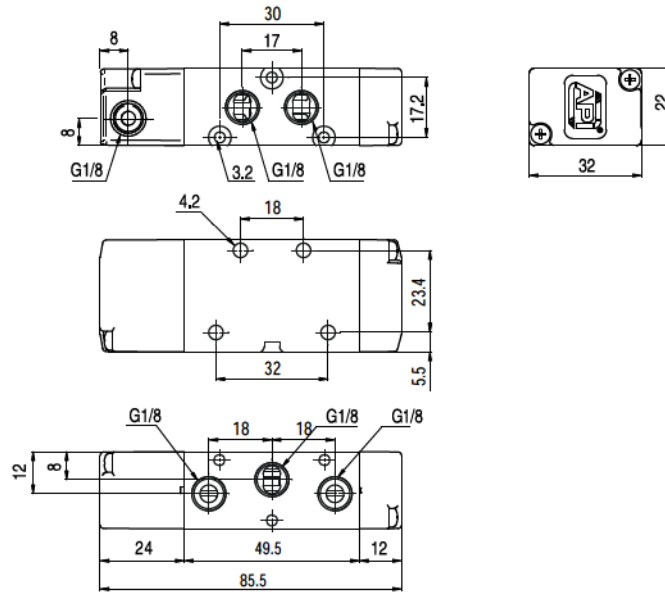
On request, they can be supplied according to 2014/34/EU - ATEX

Code key

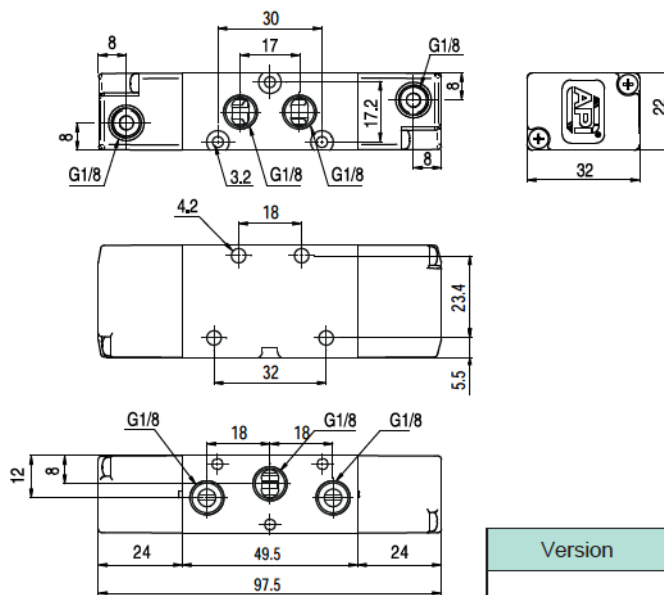
Series	Actuation	Size	Function	Options
A1	P = pneumatic	1 = 1/8"	50 = 5/2 pilot/spring 51 = 5/2 pilot/pilot 52 = 5/2 pilot/pilot differential 70 = 5/3 CC 71 = 5/3 OC 72 = 5/3 PC 73 = 5/3 CC differential	BT = low temp. seals

Options	Suffix
Low temperature seals (-25 ÷ +60°C)	BT

Technical data	
Fluid	Compressed filtered air with or without lubrication. Lubrication, if started, must be continued.
Pressure range	Spring return: 1,5 ÷ 10 bar Distable: 1 ÷ 10 bar 3 position: 2,5 ÷ 10 bar
Temperature range	-10°C ÷ +60°C (standard) -25°C ÷ +60°C (BT)
Orifice	6,5 mm
Flow	650 NI/min at 6 bar with ΔP 1bar
Minimum piloting pressure	1,5 bar
Mounting	In any position
Materials	Body: Anodised aluminium Covers: Hostaform C 13031 Spool: Hard aluminium anodized Distancers: Ixef 1022 Seals: Hydrogenated Nitrile Butadiene Rubber (HNBR)



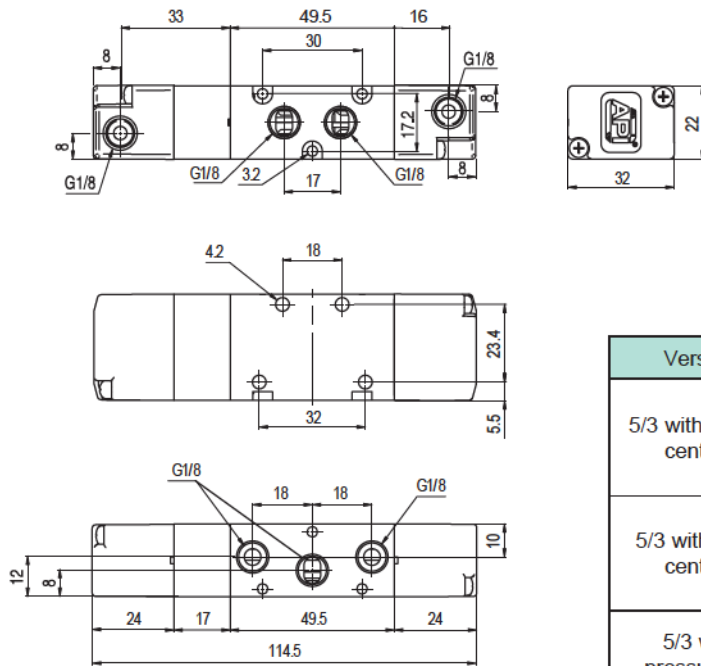
Version	Symbol	Code	Item
5/2 pilot/spring		034001	A1P150



Version	Symbol	Code	Item
5/2 pilot/pilot		034002	A1P151
5/2 pilot/pilot differential		034018	A1P152

2

Valves series A1
1/8", 5/2 - 5/3, pneumatically operated



Version	Symbol	Code	Item
5/3 with closed centres		034019	A1P170
5/3 with open centres		034020	A1P171
5/3 with pressurised centres		034022	A1P172
5/3 with closed centres differential		034175	A1P173

Valves series A1
1/4", 5/2 - 5/3, pneumatically operated

Standard executions			
Version	Symbol	Code	Item
5/2 pilot/spring		034101	A1P250
5/2 pilot/pilot		034102	A1P251
5/2 pilot/pilot differential		034056	A1P252
5/3 with closed centres		034029	A1P270
5/3 with open centres		034030	A1P271
5/3 with pressurised centres		034028	A1P272



Series of spool valves, with static seals, high flow, for panel or sub-base mounting.
For the sub-bases type A1B2... see page 2.85.1

II 2Gc IIB T5
II 2Dc T100°C

On request, they can be supplied according to 2014/34/EU - ATEX

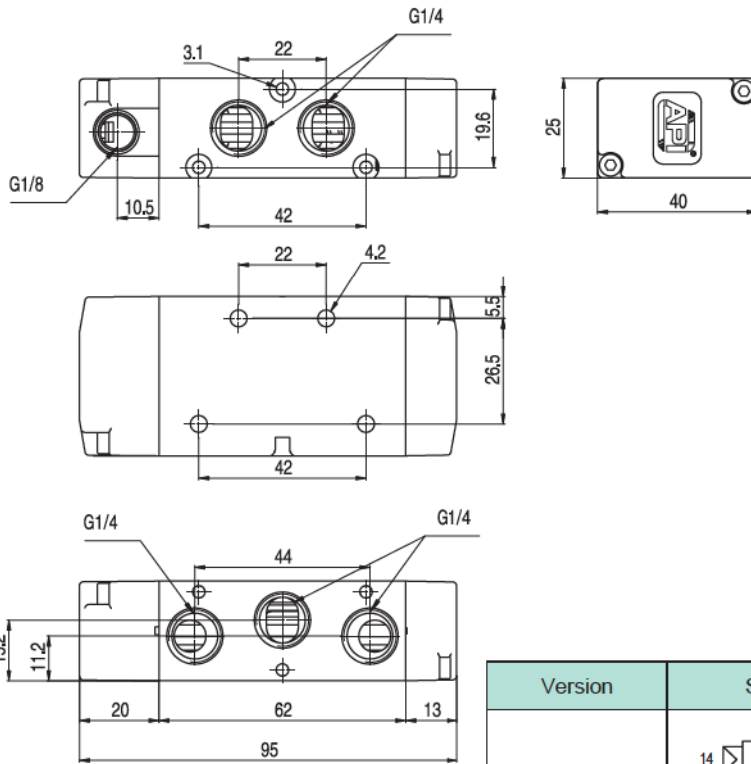
Code key

Series	Actuation	Size	Function	Options
A1	P = pneumatic	2 = 1/4"	50 = 5/2 pilot/spring 51 = 5/2 pilot/pilot 52 = 5/2 pilot/pilot differential	BT = low temp. seals
			70 = 5/3 CC 71 = 5/3 OC 72 = 5/3 PC	

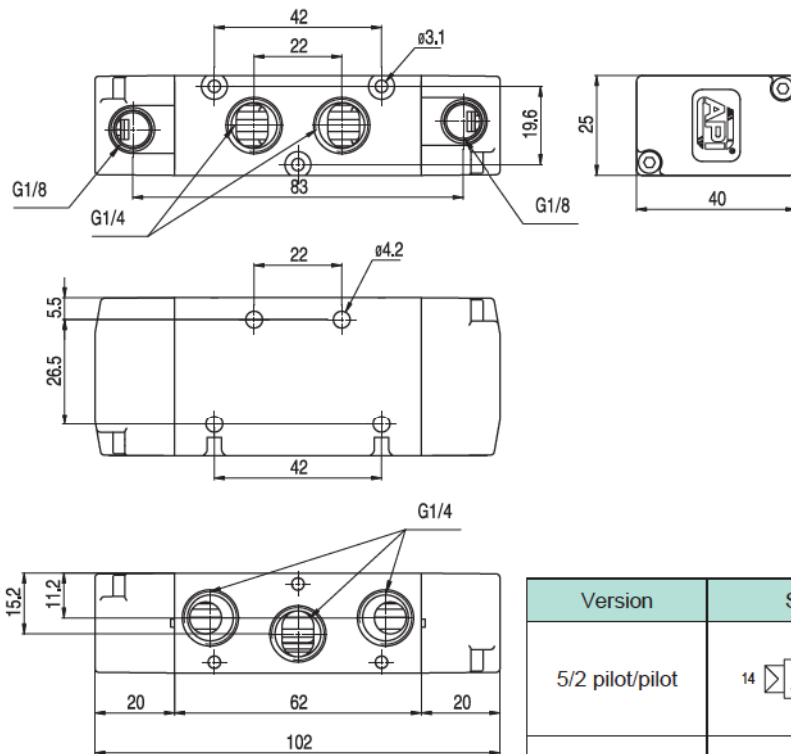
Options	Suffix
Low temperature seals (-25 ÷ +60°C)	BT

Technical data			
Fluid	Compressed filtered air with or without lubrication. Lubrication, if started, must be continued.		
Pressure range	Spring return: 1,5 ÷ 10 bar	Distable: 1 ÷ 10 bar	3 position: 2,5 ÷ 10 bar
Temperature range	-10°C ÷ +60°C (standard)		-25°C ÷ +60°C (BT)
Orifice	8 mm		
Flow	1.100 NI/min at 6 bar with ΔP 1 bar		
Minimum piloting pressure	1,5 bar		
Manual override	Bistable		
Materials	Body:	Anodised aluminium	
	Covers:	Hostaform C 13031	
	Spool:	Hard aluminium anodized	
	Distancers:	Ixef 1022	
	Seals:	Hydrogenated Nitrile Butadiene Rubber (HNBR)	

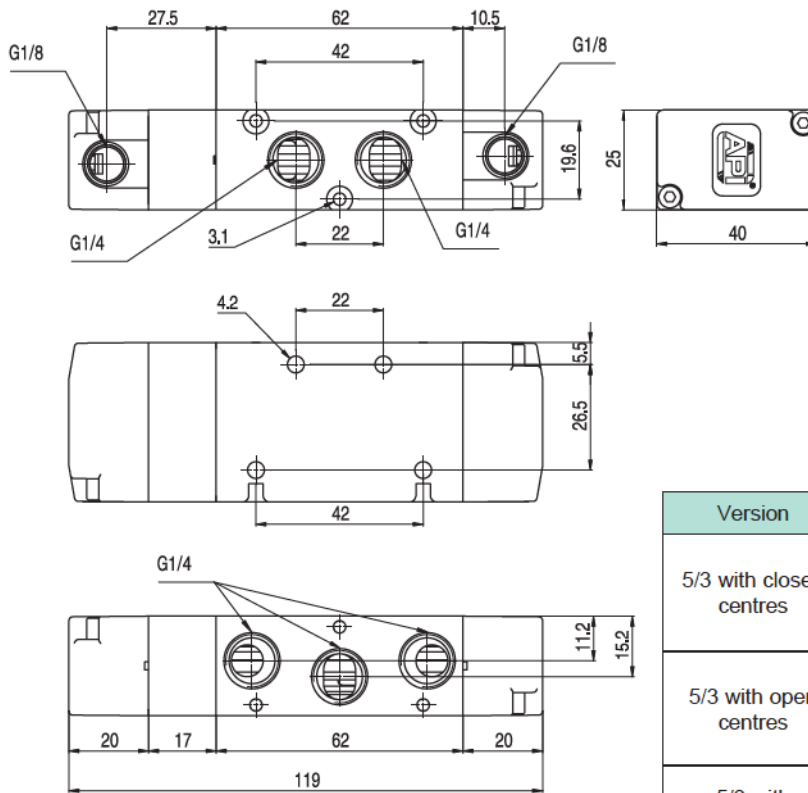




Version	Symbol	Code	Item
5/2 pilot/spring		034101	A1P250



Version	Symbol	Code	Item
5/2 pilot/pilot		034102	A1P251
5/2 pilot/pilot differential		034056	A1P252



Version	Symbol	Code	Item
5/3 with closed centres		034029	A1P270
5/3 with open centres		034030	A1P271
5/3 with pressurised centres		034028	A1P272

2

Valves series A1
1/2", 3/2, pneumatically operated

Standard executions			
Version	Symbol	Code	Item
3/2 NC		034116	A1P430
3/2 NO		034127	A1P431
3/2 pilot/pilot		034128	A1P432



II 2Gc IIB T5
II 2Dc T100°C

On request, they can be supplied according to 2014/34/EU - **ATEX**

Series of spool valves, with static seals, high flow, for panel mounting.

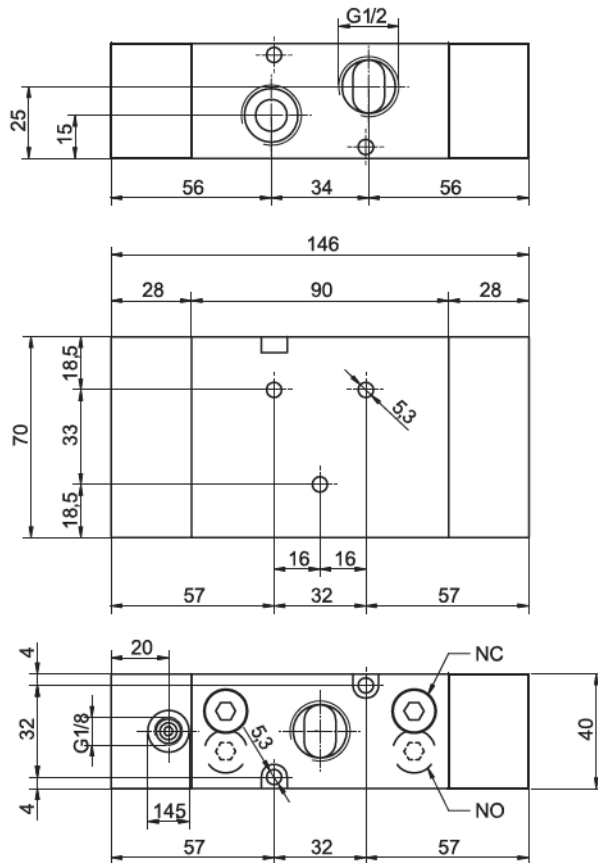
Options	Suffix
Low temperature seals (-25 ÷ +60°C)	BT

Code key

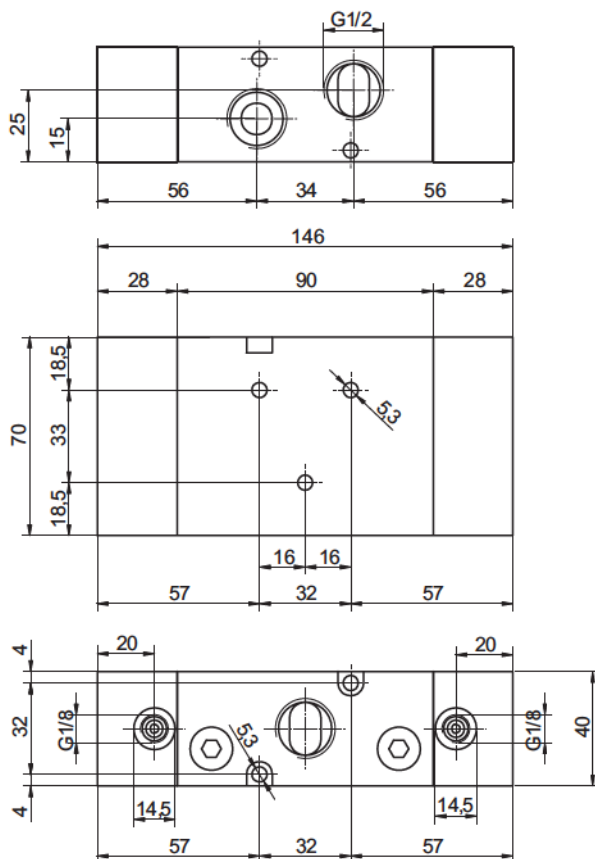
Series	Actuation	Size	Function	Options
A1	P = pneumatic	4 = 1/2"	30 = 3/2 NC 31 = 3/2 NO 32 = 3/2 pilot/pilot 33 = 3/2 pilot/pilot differential	BT = low temp. seals

Technical data	
Fluid	Compressed filtered air with or without lubrication. Lubrication, if started, must be continued.
Pressure range	2,5 ÷ 10 bar
Temperature range	-10°C ÷ +60°C (standard) -25°C ÷ +60°C (BT)
Orifice	15 mm
Flow	2900 NI/min at 6 bar with ΔP 1 bar
Minimum piloting pressure	Spring return: 2,5 bar Bistable: 1 bar
Mounting	In any position
Materials	Body: Anodised aluminium Covers: Anodised aluminium Spool: Hard aluminium anodized Distancers: Aluminium Seals: Hydrogenated Nitrile Butadiene Rubber (HNBR)





Version	Symbol	Code	Item
3/2 NC		034116	A1P430
3/2 NO		034127	A1P431



Version	Symbol	Code	Item
3/2 solenoid/solenoid		034128	A1P432

Valves series A1
1/2", 5/2 - 5/3, pneumatically operated

Standard executions			
Version	Symbol	Code	Item
5/2 pilot/spring		034117	A1P450
5/2 pilot/pilot		034118	A1P451
5/2 pilot/pilot differential		034136	A1P452
5/3 with closed centres		034129	A1P470
5/3 with open centres		034130	A1P471
5/3 with pressurised centres		034135	A1P472



Series of spool valves, with static seals, high flow, for panel mounting.



II 2Gc IIB T5
II 2Dc T100°C

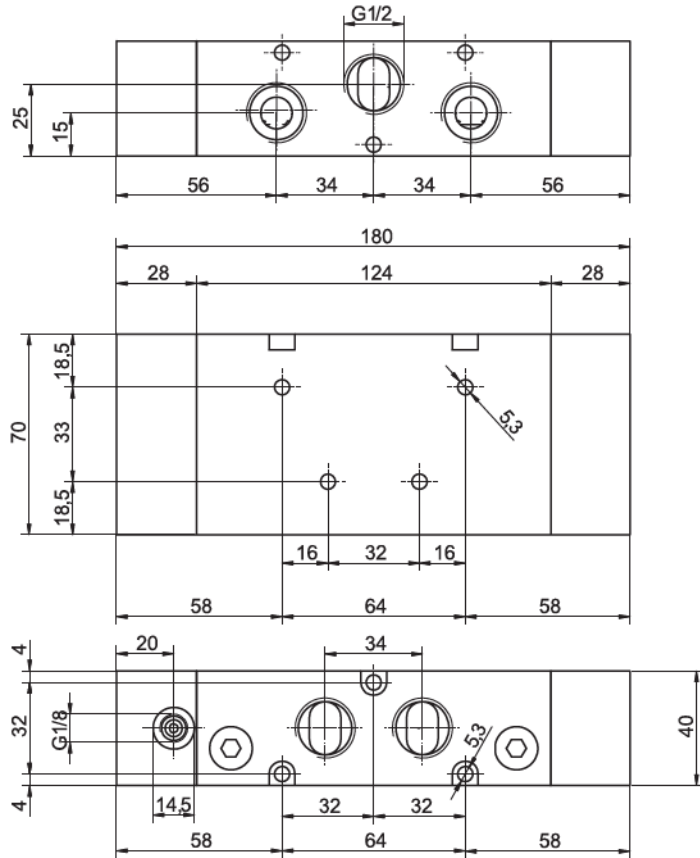
On request, they can be supplied according to 2014/34/EU - ATEX

Options	Suffix
Low temperature seals (-25 ÷ +60°C)	BT

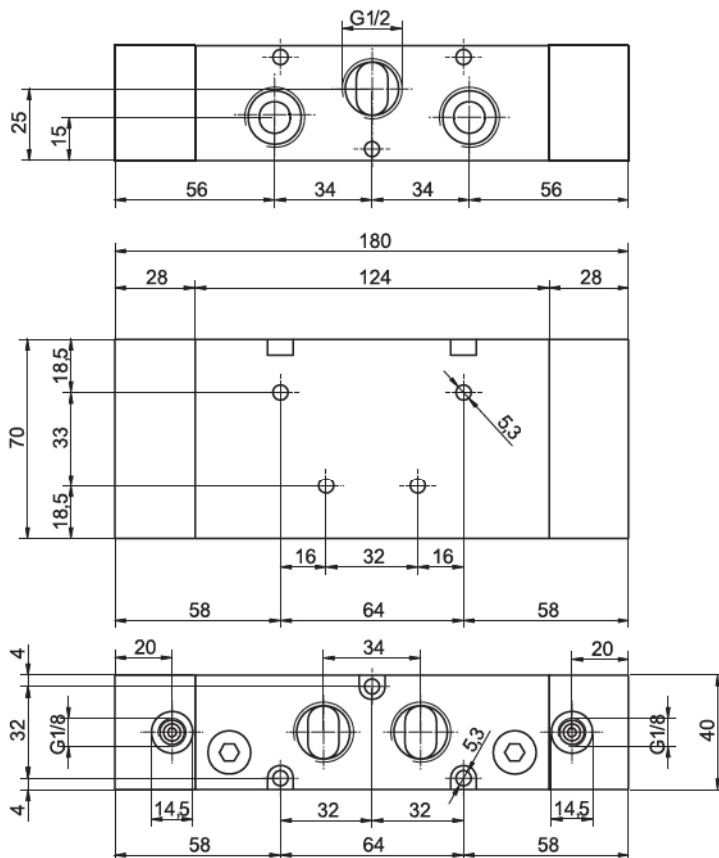
Code key

Series	Actuation	Size	Function	Options
A1	P = pneumatic	4 = 1/2"	50 = 5/2 pilot/spring 51 = 5/2 pilot/pilot 52 = 5/2 pilot/pilot differential 70 = 5/3 CC 71 = 5/3 OC 72 = 5/3 PC	BT = low temp. seals

Technical data			
Fluid	Compressed filtered air with or without lubrication. Lubrication, if started, must be continued.		
Pressure range	2,5 ÷ 10 bar		
Temperature range	-10°C ÷ +60°C (standard)	-25°C ÷ +60°C (BT)	
Orifice	15 mm		
Flow	2900 NI/min at 6 bar with ΔP 1 bar		
Minimum piloting pressure	Spring return: 2,5 bar	Bistable: 1 bar	3 positions: 2,5 bar
Mounting	In any position		
Materials	Body:	Anodised aluminium	
	Covers:	Anodised aluminium	
	Spool:	Hard aluminium anodized	
	Distancers:	Aluminium	
	Seals:	Hydrogenated Nitrile Butadiene Rubber (HNBR)	



Version	Symbol	Code	Item
5/2 solenoid/ spring		034117	A1P450



Version	Symbol	Code	Item
5/2 solenoid/ solenoid		034118	A1P451
5/2 solenoid/ solenoid differential		034136	A1P452
5/3 with closed centres		034129	A1P470
5/3 with open centres		034130	A1P471
5/3 with pressurised centres		034135	A1P472