

RAPID Fittings Nickel-Plated Brass (Push-on)



Rapid brass

Operating pressure: Technical vacuum up to maximum pressure as stated in the respective specification table under PN.
 Temperature range: -40 °C to +120 °C
 (for restrictions see specification table)

Application

RAPID fittings are used with aggressive gaseous and liquid media, where elastomer seals are not resistant. With guide cone and Cap nut these fittings are particularly suited to very harsh operating conditions.

CHARACTERISTICS

BODY MATERIAL / SUITABILITY

Nickel-plated brass	CuZn39Pb3, galvanically nickel-plated. Suitable for many neutral gaseous and liquid media, especially compressed air, water, hydraulic oil etc. Special version chemically nickel-plated with FKM seal ring, FDA compliant.
Other materials	see relevant products

TUBE

Outside diameter [mm]	4.3/3 5/3 6/4 8/6 10/8	11.5/9 12/9 12/10 15/12.5 17.6/13
Permitted tolerance outside D	±0.1	±0.15
Permitted tolerance inside d	±0.1	±0.15
Permitted wall thickness tolerance	±0.1 With very soft tubes, for example PVC tubes, variations in the outside diameter or wall thickness of up to + 5/10 are allowable. In case of doubt please ask.	
Permitted grades	Polyamide (PA), polyurethane (PU), polyethylene (PE), fabric reinforced PVC, fluoropolymer (FEP) (PFA)	

THREAD

External thread	“M” cylindrical thread: Metric ISO thread M5, M6 and M7.
External thread	“G” cylindrical thread: Whitworth pipe thread DIN ISO 228-1 G 1/8 to G 1/2.
External thread	“R” cylindrical thread: Whitworth pipe thread DIN 2999-1 and ISO 7/1 R 1/8 to R 1/2. Dimensions constructed so there can be pairing with internal thread according to DIN ISO 228-1.
Internal thread	“G” cylindrical thread: Whitworth pipe thread DIN ISO 228-1 G 1/8 to G 1/2.

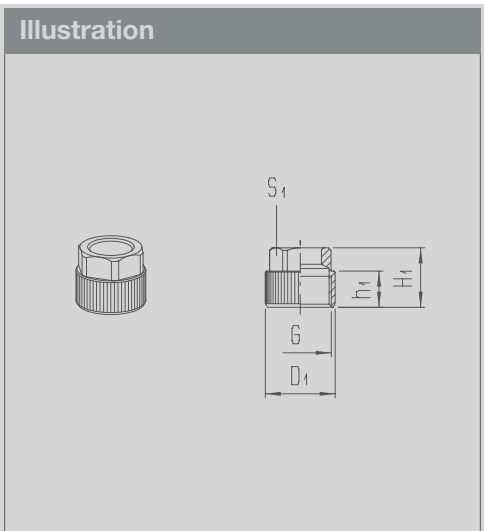
OPERATING PRESSURE / TEMPERATURE

Metal version	<table border="1"> <tr> <td>PN</td> <td>T_{min} -40 °C</td> <td rowspan="2">Means that the fitting can be used up to the given nominal pressure PN within the specified temperature range “T”. Allowable operating pressure and operating temperature of pipe/tube must be observed!</td> </tr> <tr> <td>25</td> <td>T_{max} +120 °C</td> </tr> </table>	PN	T _{min} -40 °C	Means that the fitting can be used up to the given nominal pressure PN within the specified temperature range “T”. Allowable operating pressure and operating temperature of pipe/tube must be observed!	25	T _{max} +120 °C
PN	T _{min} -40 °C	Means that the fitting can be used up to the given nominal pressure PN within the specified temperature range “T”. Allowable operating pressure and operating temperature of pipe/tube must be observed!				
25	T _{max} +120 °C					

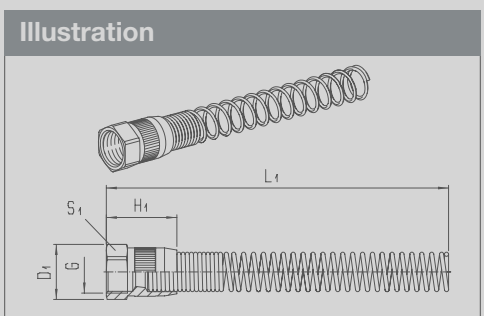
THREAD SEAL

Cylindrical threaded nipple	Seal with sealing rings made of copper, fibre, aluminium, polyamide or hard PVC.	
Conical threaded nipple	External thread self-sealing with pre-coating “D”	Film with non-reactive mineral solid materials, non-adhesive. Resistant to air, water, motor oils etc. in temperature range of -40 °C to +120 °C.
Straight, 90° elbow and T-adaptors, male	not suitable for rotating or oscill. movements	Some types of fittings are 360°-swivelling to facilitate adjustment during assembly.

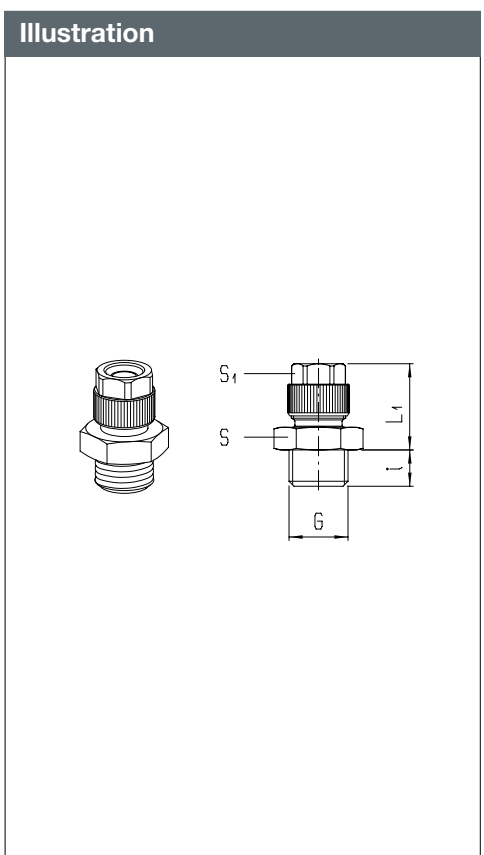
Cap Nut											
Product group	11	PN 25	T_{min} -40 °C T_{max} +120 °C								Nickel-plated brass
for tube D/d	G	Exchangeable possible with	H1	h1	D1	S1	Weight in [g]	Type	Order number	Price	
4.3/3	M7x0.75	250003	8.5	5	8	7	1.2	170M-43/0-M7x0.75	250002	o. r.	
5/3	M7x0.75	250002	8.5	5	8	7	1.2	170M-5/0-M7x0.75	250003	o. r.	
6/4	M8x0.75	-	10	6.5	9	8	1.7	170M-6/0-M8x0.75	250004	o. r.	
6/4	M10x1	250017	11.5	7	11.5	10	3.5	170M-6/0-M10x1	250005	o. r.	
8/6	M12x1	250018	11.5	7	13.5	12	4.4	170M-8/0-M12x1	250008	o. r.	
10/8	M14x1	-	13.5	9	15.5	13	5.6	170M-10/0-M14x1	250010	o. r.	
11.5/9	M16x1	250012	14.5	9	17.5	15	7.8	170M-115/0-M16x1	250011	o. r.	
12/9	M16x1	250011	14.5	9	17.5	15	7.5	170M-12/0-M16x1	250012	o. r.	
12/10	M16x1	250019	14.5	9	17.5	15	7.5	170M-12/0-M16x1	250012	o. r.	
15/12.5	M20x1	250014	16.5	10.5	22	19	13.2	170M-15/12.5-M20x1	250013	o. r.	
17.6/13	M20x1	250013	16.5	10.5	22	19	11.2	170M-176/0-M20x1	250014	o. r.	
1/4/1/8	M10x1	250005	11.5	7	11.5	10	3.4	170M-64/0-M10x1	250017	o. r.	
3/8/1/4	M12x1	250008	11.5	7	13.5	12	3.7	170M-96/0-M12x1	250018	o. r.	
1/2/3/8	M16x1	250012	14.5	9	17.5	15	6.5	170M-13/0-M16x1	250019	o. r.	



Cap Nut with Anti-kink Protection											
Product group	11	PN 25	T_{min} -40 °C T_{max} +120 °C								Nickel-plated brass
for tube D/d	G	Exchange possible with	L1*	H1	D1	S1	Weight in [g]	Type	Order number	Price	
6/4	M10x1	250005	96	19	13	12	14	172M-6/0-M10x1	331005	o. r.	
8/6	M12x1	250008	97	20	15.5	14	17.6	172M-8/0-M12x1	331008	o. r.	
10/8	M14x1	250010	97	20	17.5	16	23.1	172M-10/0-M14x1	331010	o. r.	
12/9	M16x1	250012	97	20	21	19	29.3	172M-12/0-M16x1	331012	o. r.	
12/10	M16x1	250012	97	20	21	19	29.3	172M-12/0-M16x1	331012	o. r.	

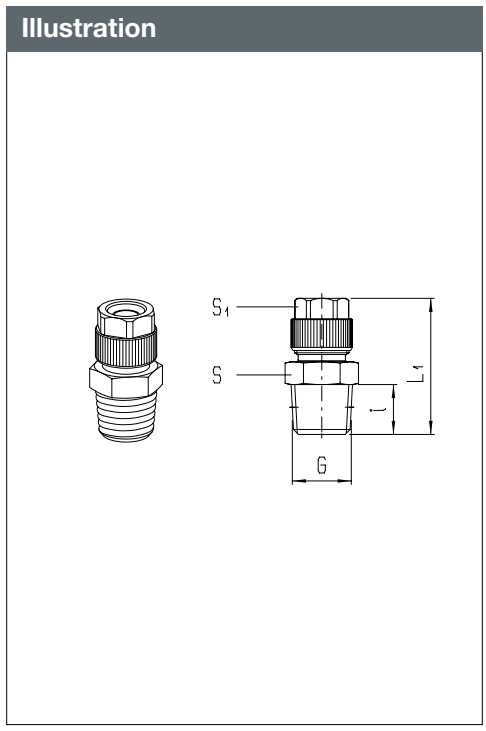


Straight Adaptor - Male											
Product group	11	PN 25	T_{min} -40 °C T_{max} +120 °C	Cylindrical thread							Nickel-plated brass
for tube D/d	G	i	L1*	S1	S	Weight in [g]	Type	Order number	Price		
4.3/3	M 5	4	14.5	7	8	4.6	151M-43/3-M5	300004	o. r.		
4.3/3	G 1/8	6	15.5	7	13	9.8	151M-43/3-1/8	300006	o. r.		
5/3	M 5	4	14.5	7	8	4.6	151M-5/3-M5	300007	o. r.		
5/3	M 6	5	14.5	7	8	4.7	151M-5/3-M6	300499	o. r.		
5/3	G 1/8	6	15.5	7	13	9.9	151M-5/3-1/8	300009	o. r.		
6/4	M 5	4	15.5	8	8	5.5	151M-6/4-M5	300010	o. r.		
6/4	M 6	5	15.5	8	8	5.6	151M-6/4-M6	300500	o. r.		
6/4	G 1/8	6	18.5	10	13	15.3	151M-6/4-1/8	300014	o. r.		
6/4	G 1/4	8	19	10	17	22.8	151M-6/4-1/4	300015	o. r.		
6/4	G 3/8	9	19	10	19	25.7	151M-6/4-3/8	300016	o. r.		
6/4	G 1/2	10	19.5	10	24	41.6	151M-6/4-1/2	300017	o. r.		
8/6	G 1/8	6	18.5	12	13	17.3	151M-8/6-1/8	300020	o. r.		
8/6	G 1/4	8	19	12	17	22.8	151M-8/6-1/4	300021	o. r.		
8/6	G 3/8	9	19	12	19	27.4	151M-8/6-3/8	300022	o. r.		
8/6	G 1/2	10	19.5	12	24	44.4	151M-8/6-1/2	300023	o. r.		
10/8	G 1/8	6	20	13	14	20.4	151M-10/8-1/8	300029	o. r.		
10/8	G 1/4	8	20.5	13	17	26.2	151M-10/8-1/4	300030	o. r.		
10/8	G 3/8	9	20.5	13	19	31.8	151M-10/8-3/8	300031	o. r.		
10/8	G 1/2	10	21	13	24	46	151M-10/8-1/2	300032	o. r.		
11.5/9	G 1/4	8	22	15	17	30.9	151M-115/9-1/4	300033	o. r.		
11.5/9	G 3/8	9	22	15	19	36.4	151M-115/9-3/8	300034	o. r.		
12/9	G 1/4	8	22	15	17	30.1	151M-12/9-1/4	300036	o. r.		
12/9	G 3/8	9	22	15	19	35.9	151M-12/9-3/8	300037	o. r.		
12/10	G 3/8	9	22	15	19	35.2	151M-12/10-3/8	300043	o. r.		
12/10	G 1/2	10	22.5	15	24**	49.4	151M-12/10-1/2	300044	o. r.		
15/12.5	G 1/2	10	25	19	24**	58.7	151M-15/125-1/2	300048	o. r.		
17.6/13	G 1/2	10	25	22	24**	51.2	151M-176/13-1/2	300050	o. r.		

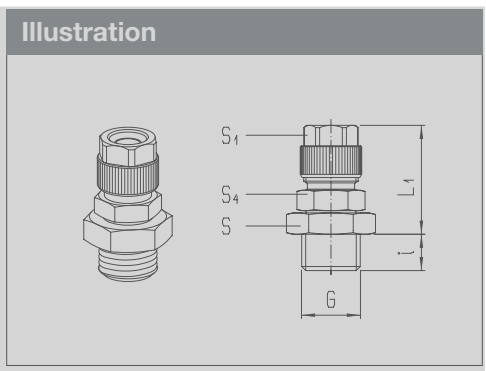


* approximate with fastened cap nut ** S24 = octagon

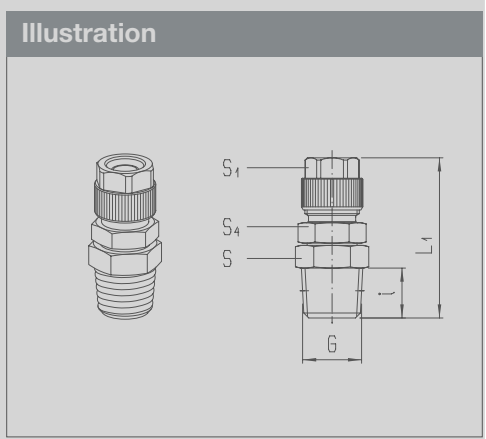
Straight Adaptor - Male												
Product group	11	PN 25	T _{min} -40 °C T _{max} +120 °C	Conical thread	Thread "D" self-sealing T _{max} +100 °C							Nickel-plated brass
for tube D/d	G	i	L1*	S1	S	self-sealing opt. "D"	Weight in [g]	Type	Order number	Price		
4.3/3	R 1/8	7.5	23	7	10	-	9.4	151M-43/3-1/8K	300506	o. r.		
5/3	R 1/8	7.5	23	7	10	-	9.6	151M-5/3-1/8K	300509	o. r.		
6/4	R 1/8	7.5	26	10	12	-	14.4	151M-6/4-1/8K	300514	o. r.		
6/4	R 1/8	7.5	26	10	12	D	14.4	151M-6/4-D1/8K	306514	o. r.		
6/4	R 1/4	11	30	10	14	-	17.8	151M-6/4-1/4K	300515	o. r.		
6/4	R 1/4	11	30	10	14	D	17.8	151M-6/4-D1/4K	306515	o. r.		
6/4	R 3/8	11.5	30.5	10	17	-	26.2	151M-6/4-3/8K	300516	o. r.		
8/6	R 1/8	7.5	26	12	12	-	17.2	151M-8/6-1/8K	300520	o. r.		
8/6	R 1/8	7.5	26	12	12	D	17.2	151M-8/6-D1/8K	306520	o. r.		
8/6	R 1/4	11	30	12	14	-	22.1	151M-8/6-1/4K	300521	o. r.		
8/6	R 1/4	11	30	12	14	D	22.1	151M-8/6-D1/4K	306521	o. r.		
8/6	R 3/8	11.5	30.5	12	17	-	28.4	151M-8/6-3/8K	300522	o. r.		
8/6	R 3/8	11.5	30.5	12	17	D	28.4	151M-8/6-D3/8K	306522	o. r.		
10/8	R 1/8	7.5	27.5	13	14	-	20.8	151M-10/8-1/8K	300529	o. r.		
10/8	R 1/4	11	31.5	13	14	-	23.8	151M-10/8-1/4K	300530	o. r.		
10/8	R 1/4	11	31.5	13	14	D	23.8	151M-10/8-D1/4K	306530	o. r.		
10/8	R 3/8	11.5	32	13	17	-	30.7	151M-10/8-3/8K	300531	o. r.		
10/8	R 1/2	14	35	13	22	-	43.5	151M-10/8-1/2K	300532	o. r.		
12/10	R 3/8	11.5	33.5	15	17	-	34	151M-12/10-3/8K	300543	o. r.		
12/10	R 1/2	14	36.5	15	22	-	46.1	151M-12/10-1/2K	300544	o. r.		
15/12.5	R 1/2	14	39	19	22	-	58	151M-15/12.5-1/2K	300548	o. r.		
17.6/13	R 1/2	14	39	22	22	-	59.2	151M-17.6/13-1/2K	300550	o. r.		



Straight Adaptor - Male - Positionable											
Product group	11	PN 16	T _{min} -20 °C T _{max} +80 °C	Cylindrical thread	Sealing ring: NBR	not suitable for rotating or oscill. movement					Nickel-plated brass
for tube D/d	G	i	L1*	S1	S4	S	Weight in [g]	Type	Order number	Price	
6/4	G 1/8	6	24.5	10	13	13	17.7	131M-6/4-1/8	300414	o. r.	
6/4	G 1/4	8	23.5	10	13	17	25.4	131M-6/4-1/4	300415	o. r.	
8/6	G 1/8	6	24.5	12	13	13	20.5	131M-8/6-1/8	300420	o. r.	
8/6	G 1/4	8	23.5	12	13	17	28.3	131M-8/6-1/4	300421	o. r.	
10/8	G 1/4	8	25	13	14	17	32.3	131M-10/8-1/4	300430	o. r.	
12/9	G 3/8	9	28.5	15	17	19	48	131M-12/9-3/8	300437	o. r.	
12/10	G 3/8	9	28.5	15	17	19	46.2	131M-12/10-3/8	300443	o. r.	



Straight Adaptor - Male - Positionable												
Product group	11	PN 16	T _{min} -20 °C T _{max} +80 °C	Conical thread	Sealing ring: NBR	Thread "D" self-sealing	not suitable for rotating or oscill. movement					Nickel-plated brass
for tube D/d	G	i	L1*	S1	S4	S	self-sealing opt. "D"	Weight in [g]	Type	Order number	Price	
6/4	R 1/8	7.5	31.5	10	13	13	-	20	131M-6/4-1/8K	300714	o. r.	
6/4	R 1/8	7.5	31.5	10	13	13	D	20	131M-6/4-D1/8K	306714	o. r.	
6/4	R 1/4	11	34.5	10	13	14	-	26	131M-6/4-1/4K	300715	o. r.	
6/4	R 1/4	11	34.5	10	13	14	D	26	131M-6/4-D1/4K	306715	o. r.	
8/6	R 1/8	7.5	31.5	12	13	13	-	21.5	131M-8/6-1/8K	300720	o. r.	
8/6	R 1/8	7.5	31.5	12	13	13	D	21.5	131M-8/6-D1/8K	306720	o. r.	
8/6	R 1/4	11	34.5	12	13	14	-	27	131M-8/6-1/4K	300721	o. r.	
8/6	R 1/4	11	34.5	12	13	14	D	27	131M-8/6-D1/4K	306721	o. r.	
10/8	R 1/4	11	36	13	14	14	-	30.8	131M-10/8-1/4K	300730	o. r.	
10/8	R 1/4	11	36	13	14	14	D	30.8	131M-10/8-D1/4K	306730	o. r.	



* approximate with fastened cap nut