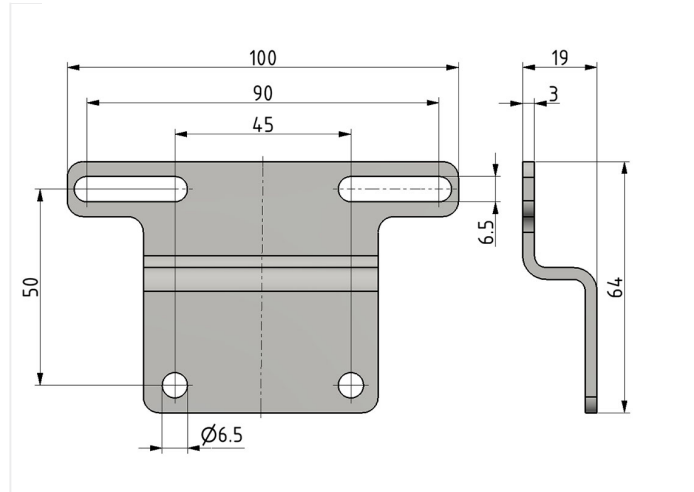
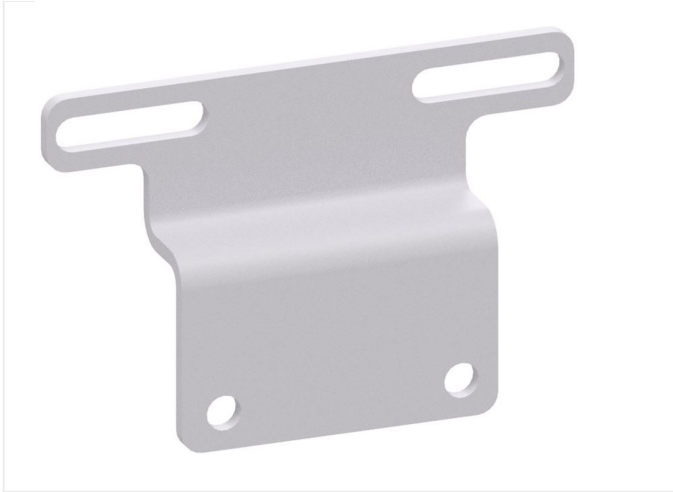


Accessories of the Multi-Fix series

Mounting bracket (ZW.45+2x screw M6x12 DIN912)



type	part-number	series 2	series	weight
ZW.45	045984	Multi-Fix	BG4	0.118 kg

technical data

- **description:** Mounting bracket
- **material:** steel galvanized
- **fixing:** mounting with 2 screws

accessories