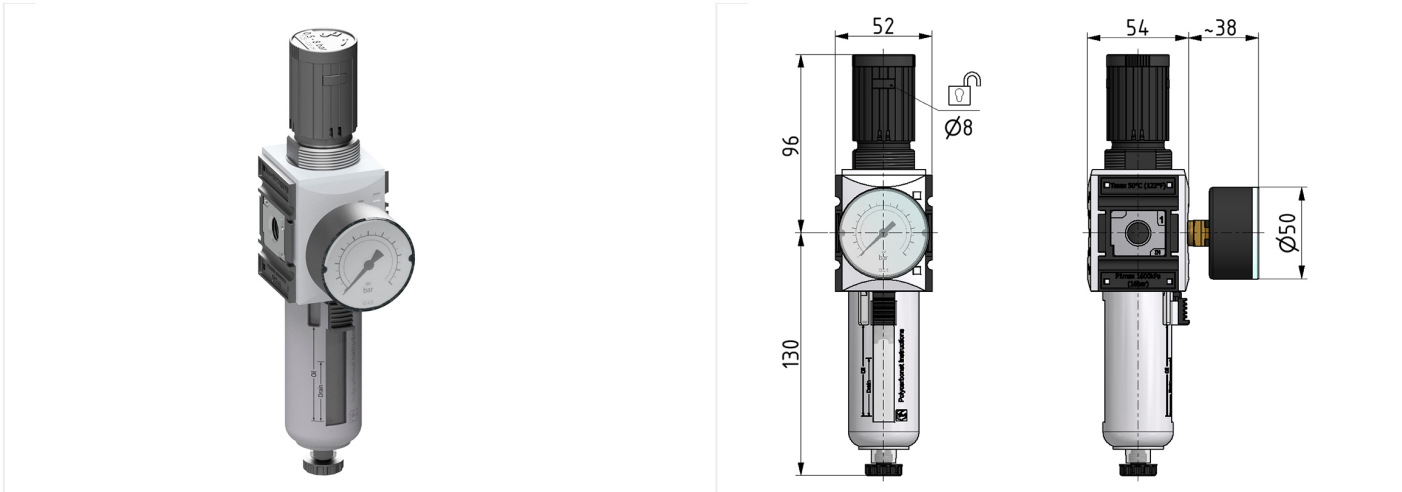
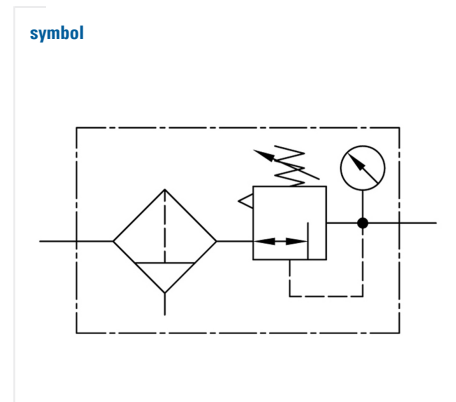
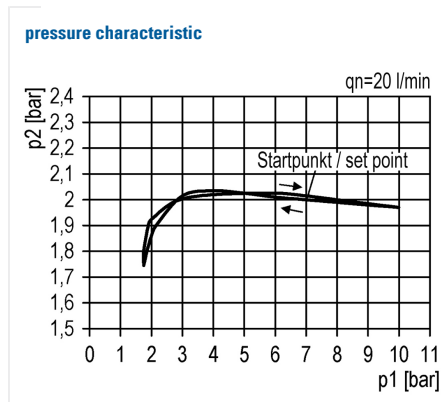
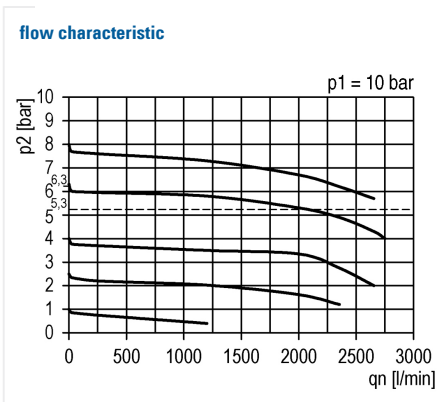


Filter regulator of the Futura series

Filter regulator G1/4 0,5-10 5µm with PC bowl, bowl guard and semi automatic drain and gauge G 50.16 R



type	part-number	series	port size	flow rate	adjustment range P2 max.	weight
KFRG-114/10 G	035291	Futura	G 1/4	2000 l/min	10 bar	0.429 kg



technical data

- **description:** sinter filter centrifugal principle, diaphragm-type pressure with relieving feature
- **medium:** compressed air, neutral gases
- **supply pressure P1 min.:** 1,5 bar
- **supply pressure P1 max.:** 16 bar
- **temperature range:** -10°C - +50°C
- **bowl:** PC with PA bowl guard
- **drain:** HA
- **locking:** lockable setting knob
- **mounting:** vertical
- **filter element:** 5 µm

accessories



- mounting bracket:
[KBW.1-1225](#)



- coupling kit wall mounting:
[KKOP.1W](#)

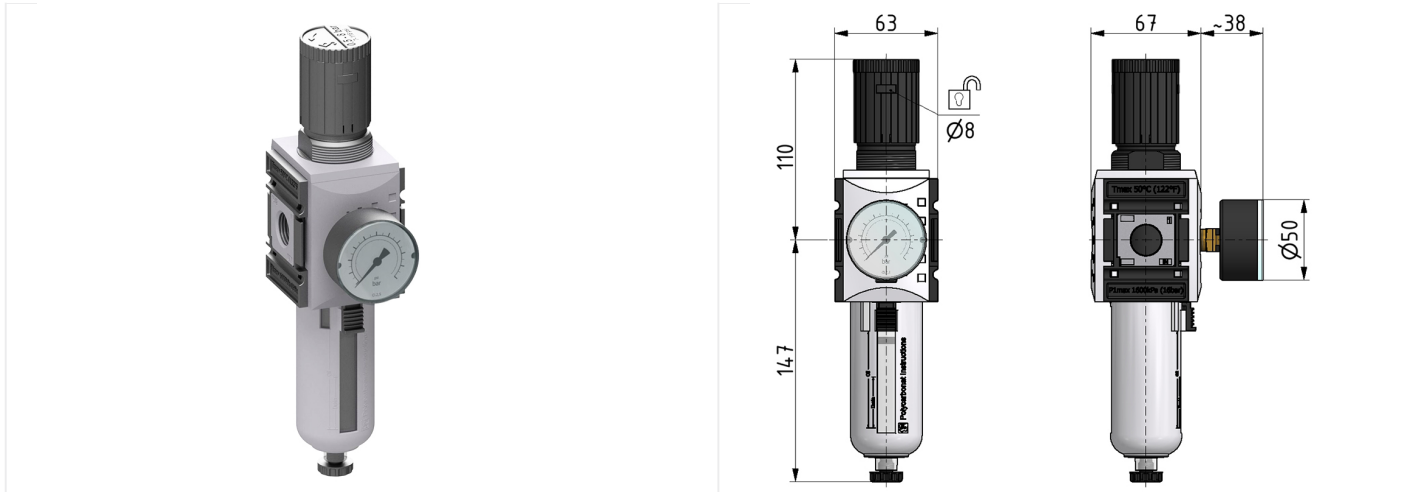


- control panel mounting:
[KBW.1-1227](#) + SM.1

- rotary lock: VH.31 without key or VH.32 with key

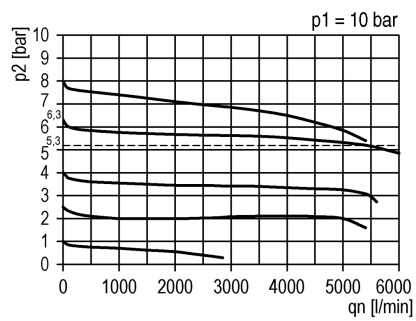
Filter regulator of the Futura series

Filter regulator G1/2 0,5-10 5µm with PC bowl, bowl guard, semi automatic drain and gauge G 50.16 R

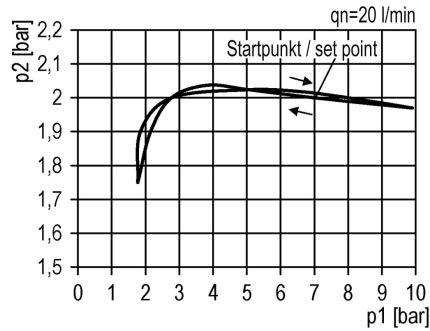


type	part-number	series	port size	flow rate	adjustment range P2 max.	weight
KFRG-212/10 G	034059	Futura	G 1/2	5200 l/min	10 bar	0.627 kg

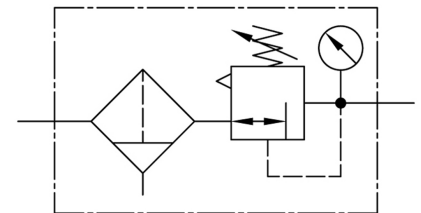
flow characteristic



pressure characteristic



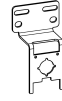
symbol



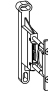
technical data

- **description:** sinter filter centrifugal principle, diaphragm-type pressure with relieving feature
- **medium:** compressed air, neutral gases
- **supply pressure P1 min.:** 1,5 bar
- **supply pressure P1 max.:** 16 bar
- **temperature range:** -10°C - +50°C
- **bowl:** PC with PA bowl guard
- **drain:** HA
- **locking:** lockable setting knob
- **mounting:** vertical
- **filter element:** 5 µm

accessories



- mounting bracket:
[KBW.2-1225](#)



- coupling kit wall mounting:
[KKOP.2W](#)



- control panel mounting:
[KBW.2-1227](#) + SM.2

- rotary lock: VH.31 without key or VH.32 with key