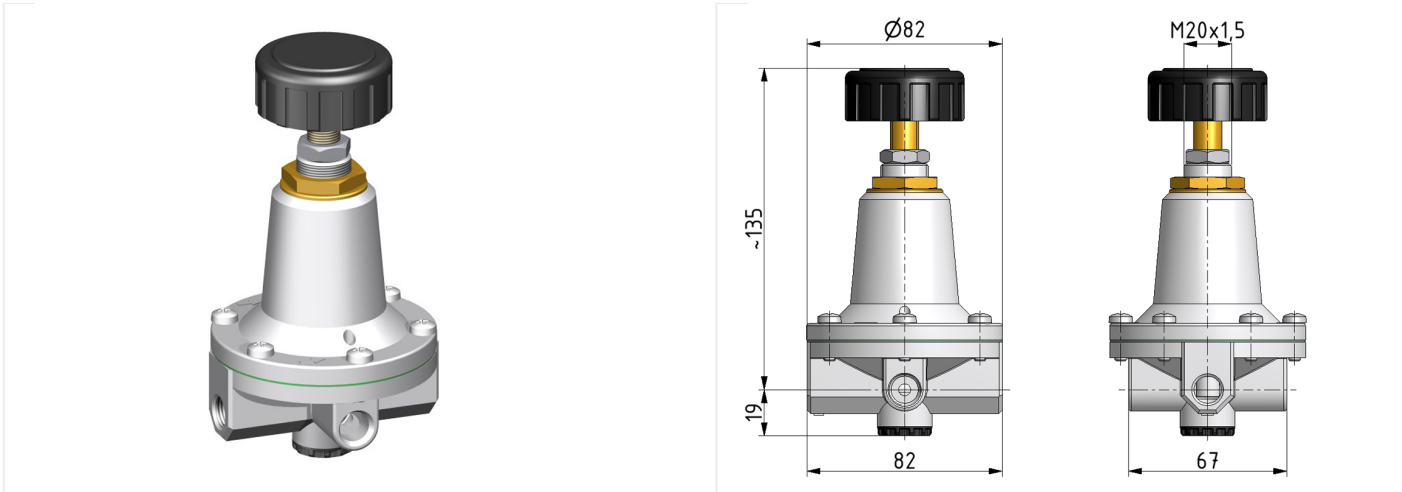
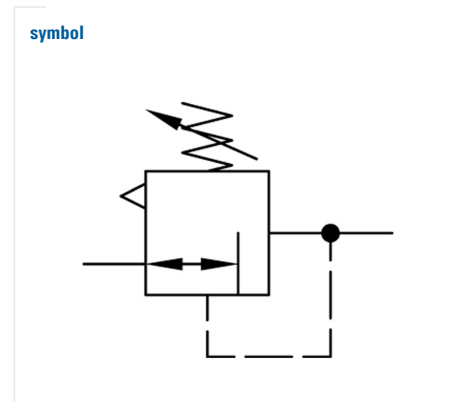
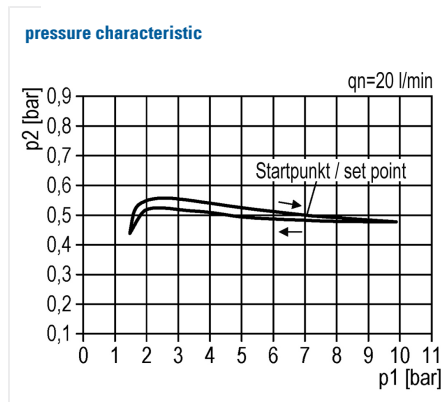
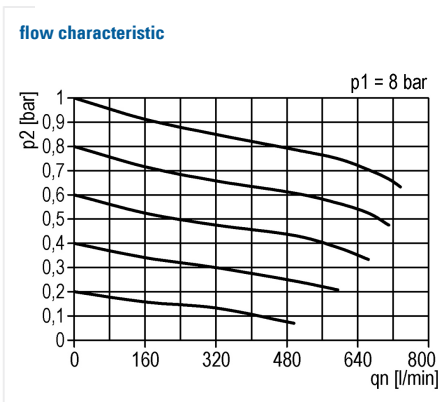


## Pressure-regulator of the Standard series

Fine pressure regulator G1/4 0,1-1 with panel mounting ring



type	part-number	series	port size	flow rate	adjustment range P2 max.	weight
DRF.31 S	004547	Standard	G 1/4	480 l/min	1 bar	0.862 kg



**technical data**

- **description:** air line regulator with diaphragm and relieving feature
- **medium:** compressed air, neutral gases
- **supply pressure P1 max.:** 16 bar
- **temperature range:** -10°C - +60°C
- **control panel nut:** control panel nut

**accessories**