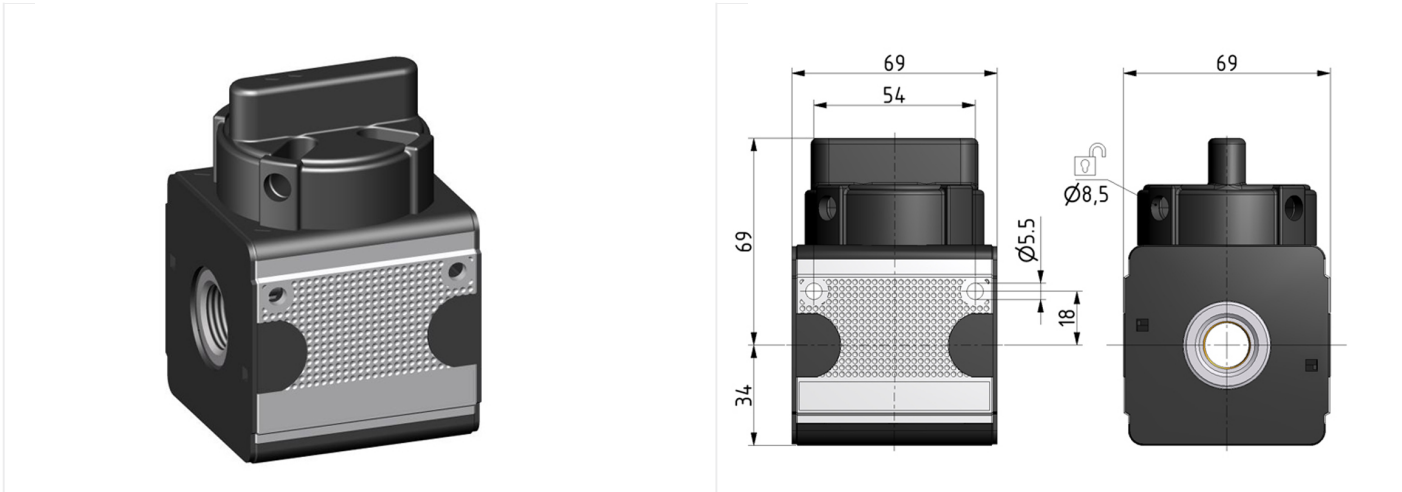


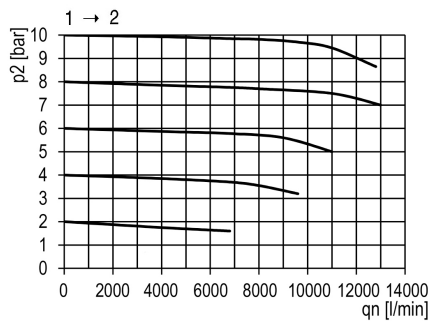
System extensions of the Multi-Fix series

Ball valve G1/2

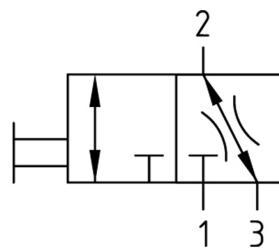


type	part-number	series	port size	flow rate	weight
K.33	011180	Multi-Fix	G 1/2	11000 l/min	0.785 kg

flow characteristic



symbol



technical data

- **description:** 3/2 directional control valve, shut off for downstream air
- **medium:** compressed air, neutral gases
- **supply pressure P1 max.:** 16 bar
- **temperature range:** -10°C - +60°C
- **locking:** lockable with padlock
- **exhaust:** G 1/2
- **operating:** knob can be turned 90°

accessories

- mounting bracket: [ZW.33-1](#)