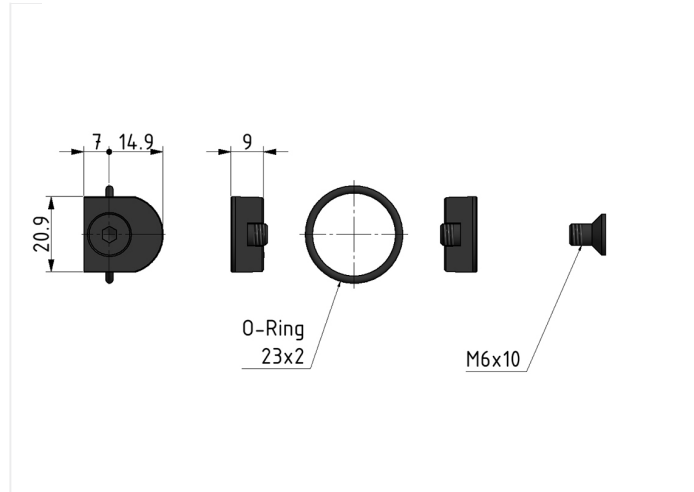
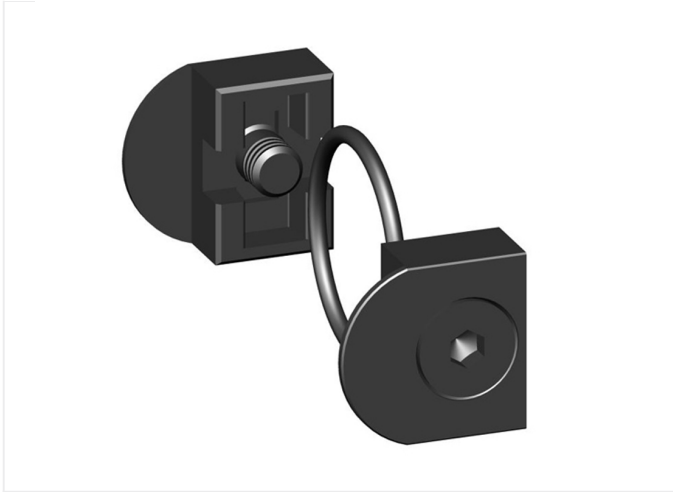


Accessories of the Multi-Fix series

Coupling kit for distributor BG3



type	part-number	series	series	weight
KP.33 Z	004451	Multi-Fix	BG3	0.023 kg

technical data

- **description:** Coupling kit
- **fixing:** for distributor Z.33 to be connected with components of Multi-Fix series 3
- **material clamp:** Z 410
- **material screws:** steel
- **material o-ring:** NBR

accessories