

Valves ISO 5599/1

ISO 1, 5/2 - 5/3, electrically operated, with CNOMO pilot

Standard executions			
Version	Symbol	Code	Item
5/2 solenoid/spring		032020	ISO1E50
5/2 solenoid/solenoid		032030	ISO1E51
5/2 solenoid/solenoid differential		032037	ISO1E52
5/3 with closed centres		032031	ISO1E70
5/3 with open centres		032032	ISO1E71
5/3 with pressurised centres		032043	ISO1E72
5/2 solenoid/spring external air pilot		032021	ISO1K50
5/2 solenoid/solenoid external air pilot		032044	ISO1K51
5/2 solenoid/solenoid differential external air pilot		032048	ISO1K52
5/3 with closed centres external air pilot		032049	ISO1K70
5/3 with open centres external air pilot		032053	ISO1K71
5/3 with pressurised centres external air pilot		032054	ISO1K72



Series of spool valves, conforming to ISO 5599/1 standards for the mounting only on sub-base, with CNOMO pilot.

Coils and connectors have to be ordered separately.

For the coils type ASA12.../ASA2... see page 2.200.1

For the connectors type A122.../A182... see page 2.210.20

For the sub-bases type SBA1... see page 2.120.1

Code key

Series	Size	Actuation	Function
ISO	1	E = electrical	50 = 5/2 solenoid/spring
	2	K = electrical with external air pilot	51 = 5/2 solenoid/solenoid
			52 = 5/2 solenoid/solenoid differential
			70 = 5/3 CC
			71 = 5/3 OC
			72 = 5/3 PC

NOTE: FOR VALVES WITH PILOT IN LINE SEE PAGE 2.111.1



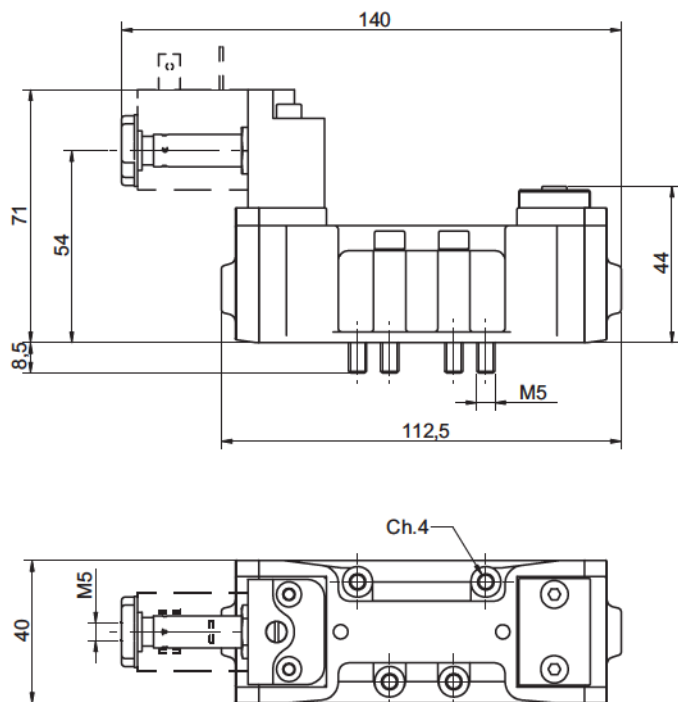
**II 2Gc IIB T5
II 2Dc T100°C**

On request, they can be supplied according to 2014/34/EU - ATEX

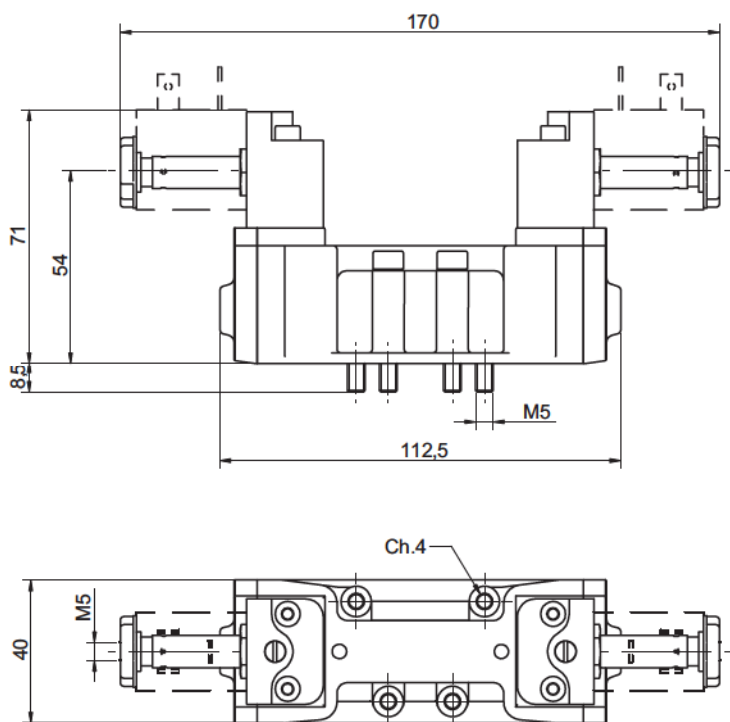
Technical data			
Fluid	Compressed filtered air with or without lubrication. Lubrication, if started, must be continued.		
Pressure range	0 ÷ 10 bar		
Temperature range	-10°C ÷ +60°C		
Orifice	0,5 mm		
Flow	1100 NI/min at 6 bar with ΔP 1 bar		
Minimum piloting pressure	Spring return: 2 bar	Bistable: 1 bar	3 positions: 2,5 bar
Mounting	In any position		
Electropilot	Conforming to CNOMO		
Manual override	Bistable on solenoid pilot - Spring return on valve body		
Materials	Body:	Die-cast painted aluminium	
	Covers:	PBT	
	Spool:	Hard aluminium anodized	
	Distancers:	Aluminium	
	Seals:	Hydrogenated Nitrile Butadiene Rubber (HNBR)	

Valves ISO 5599/1

ISO 1, 5/2 - 5/3, electrically operated, with CNOMO pilot



Version	Symbol	Code	Item
5/2 solenoid/ spring		032020	ISO1E50
5/2 solenoid/ spring, external air pilot		032021	ISO1K50



Version	Symbol	Code	Item
5/2 solenoid/solenoid		032030	ISO1E51
5/2 solenoid/solenoid differential		032037	ISO1E52
5/3 with closed centres		032031	ISO1E70
5/3 with open centres		032032	ISO1E71
5/3 with pressurised centres		032043	ISO1E72
5/2 solenoid/solenoid external air pilot		032044	ISO1K51
5/2 solenoid/ solenoid external air pilot differential		032048	ISO1K52
5/3 with closed centres external air pilot		032049	ISO1K70
5/3 with open centres external air pilot		032053	ISO1K71
5/3 with pressurised centres external air pilot		032054	ISO1K72