


**Silencers
In plastic polymer**

Version	Symbol	Type
Dynamic (self-cleaning)		SPD
Static (with felt)		SPF
Static high flow rate		SPS
In Polyethylene		AS19
In polyethylene with stem		AS22

Options	Suffix
Threaded NPT (Only for SPD, SPF and SPS)	NPT



Series of silencers in plastic polymers to be fitted on exhausts for reducing noise.

SPD

Self cleaning dynamic silencer in acetal resin. The sound-absorbing material, composed by moving elements, avoids the risk of obstructions maintaining constant in time the air flow.

SPF

Static silencer in acetal resin, sound-absorbing material: felt.

SPS

High flow static silencer in polyacetal resin. Overall dimensions and sound-absorbing material, in micro porous polyethylene, grant high flow-rates and low noise values.

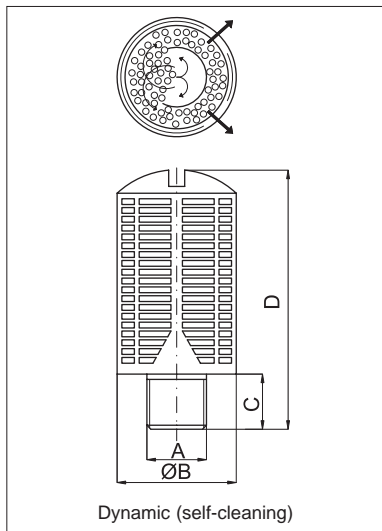
AS19 e AS22

Static silencer in polyethylene with compact overall dimensions. Available for threaded or push-in connections.

For standard items, codes and dimensions, see tables at page 4.85.2.

Technical data				
Type	SPD	SPF	SPS	AS19 - AS22
Fluid	Compressed air			
Pressure range	0 ÷ 6 bar		0 ÷ 10 bar	
Temperature range	-10 °C ÷ + 70°C			
Parallel threads	UNI - ISO 228/1	UNI - EN 10226/1	UNI - ISO 228/1	UNI - ISO 228/1 (AS19)
Mounting position	Any position			
Body material	Acetal resin	Acetal resin	Polyacetal	Polyethylene
Noise absorbing material	Granulated acetal resin	Pressed felt and aluminium net	Polyethylene	Polyethylene

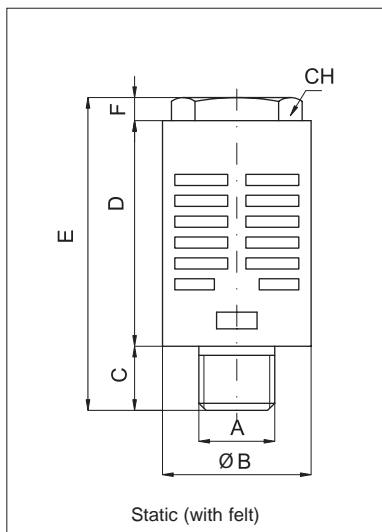
Silencers In Acetal resin



Technical data			
Item	Flow rate (l/min)	Noise* (dB)	Weight (g)
SPD18..	700	< 90	3
SPD14..	1100	< 90	6,5
SPD38..	2900	< 90	14
SPD12..	2900	< 90	15,5
SPD34..	5000	< 90	107,5
SPD01..	5000	< 90	110,5

* Measured at 6 bar at a distance of 1 m.

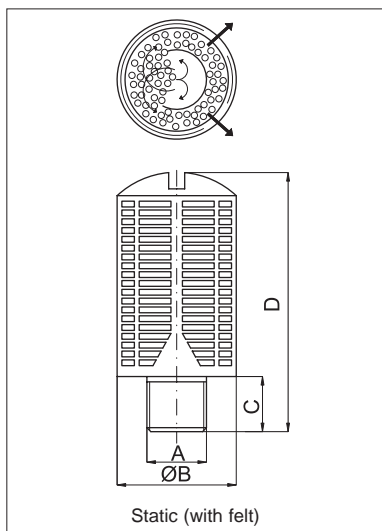
Blue		Black		Yellow		A	B	C	D
Code	Item	Code	Item	Code	Item				
016001	SPD18BL	016011	SPD18NE	010001	SPD18GI	1/8"	15,5	6	32,5
016002	SPD14BL	016012	SPD14NE	010002	SPD14GI	1/4"	19,5	8	43
016003	SPD38BL	016013	SPD38NE	010003	SPD38GI	3/8"	24,5	11	58
016004	SPD12BL	016014	SPD12NE	010004	SPD12GI	1/2"	24,5	11	58
016005	SPD34BL	016015	SPD34NE	010005	SPD34GI	3/4"	48	18	115
016006	SPD01BL	016016	SPD01NE	010006	SPD01GI	1"	48	18	115



Technical data			
Item	Flow rate (l/min)	Noise* (dB)	Weight (g)
SPF18..	650	< 90	3
SPF14..	1050	< 90	6
SPF38..	2760	< 90	11,5
SPF12..	2760	< 90	13,5

* Measured at 6 bar at a distance of 1 m.

Blue		Black		White		A	B	C	CH	D	E	F
Code	Item	Code	Item	Code	Item							
017031	SPF18BL	010021	SPF18NE	017021	SPF18NT	1/8"	15,5	6	10	25,5	33	2,5
017032	SPF14BL	010022	SPF14NE	017022	SPF14NT	1/4"	19,5	8	12	32	43	3
017033	SPF38BL	010023	SPF38NE	017023	SPF38NT	3/8"	24,5	11	16	44	58	3
017034	SPF12BL	010024	SPF12NE	017024	SPF12NT	1/2"	24,5	11	16	44	58	3

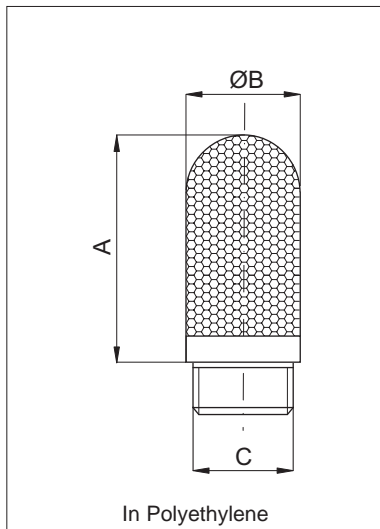


Technical data			
Item	Flow rate (l/min)	Noise* (dB)	Weight (g)
SPF34..	-	< 90	69,5
SPF01..	-	< 90	72,5

* Measured at 6 bar at a distance of 1 m.

Blue		Black		Yellow		A	B	C	D
Code	Item	Code	Item	Code	Item				
017035	SPF34BL	010025	SPF34NE	017045	SPF34GI	3/4"	48	18	115
017036	SPF01BL	010026	SPF01NE	017046	SPF01GI	1"	48	18	115

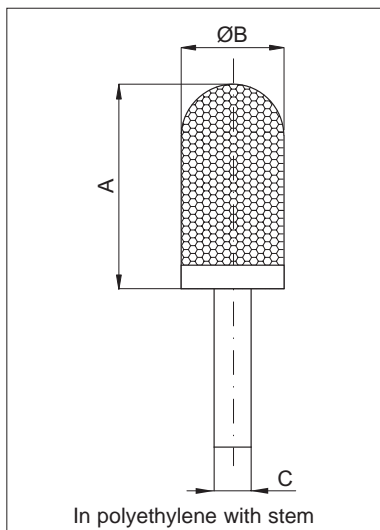
**Silencers
In Acetal resin**



Technical data			
Item	Flow rate (l/min)	Noise* (dB)	Weight (g)
AS19 M5	-	-	0,4
AS19 18	-	-	2,6
AS19 14	-	-	5,2
AS19 38	-	-	10,5
AS19 12	-	-	-
AS19 34	-	-	-
AS19 01	-	-	-

* Measured at 6 bar at a distance of 1 m.

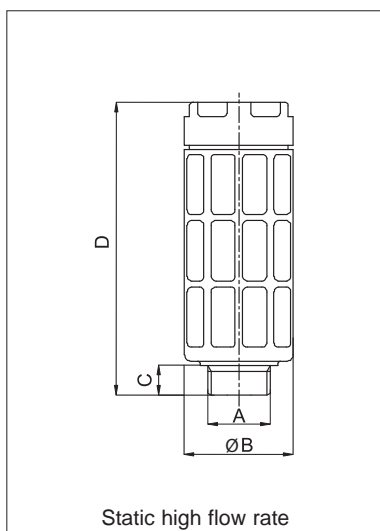
Code	Item	A	B	C
016108	AS19 M5	19	7	M5
016103	AS19 18	25	13	1/8"
016102	AS19 14	31	17	1/4"
016104	AS19 38	54	25	3/8"
016105	AS19 12	58.5	25	1/2"
016106	AS19 34	122.5	37	3/4"
016107	AS19 01	138.5	48	1"



Technical data			
Item	Flow rate (l/min)	Noise* (dB)	Weight (g)
AS22 06	-	-	1,1
AS22 08	-	-	2,3
AS22 10	-	-	5,5
AS22 12	-	-	11,2

* Measured at 6 bar at a distance of 1 m.

Code	Item	A	B	C
016152	AS22 06	45	12.5	6
016153	AS22 08	43.6	13.5	8
016154	AS22 10	57.5	15.5	10
016155	AS22 12	82	18.5	12



Technical data			
Item	Flow rate (l/min)	Noise* (dB)	Weight (g)
SPS18	2050	< 77	2
SPS14	3400	< 77	8
SPS38	5900	< 82	30
SPS12	10600	< 80	58
SPS34	15000	< 83	83
SPS01	19900	< 84	140

* Measured at 6 bar at a distance of 1 m.

Code	Item	A	B	C	D
016171	SPS18NE	1/8"	15.2	5.3	35.6
016172	SPS14NE	1/4"	19.2	6.5	57.4
016173	SPS38NE	3/8"	33.2	9	77.8
016174	SPS12NE	1/2"	43	10	87.4
016175	SPS34NE	3/4"	44.5	11.5	119.5
016176	SPS01NE	1"	55	13	125