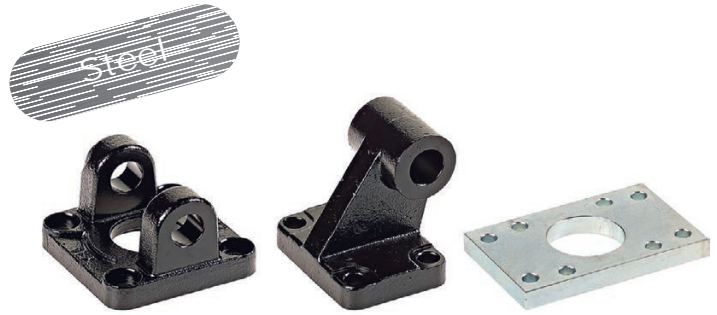


Mounting Accessories for Cylinders

Mounting for ISO 15552 in steel

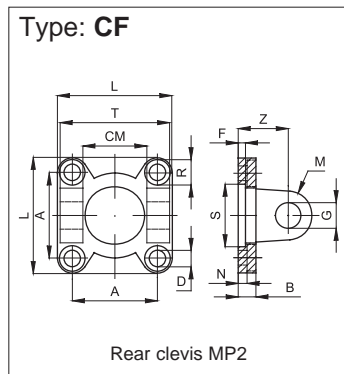
1

Standard executions		
Version	Sym.	Type
Rear clevis		CF..AQIS
Rear eye		CM..AQIS
Rear 90° hinge CETOP RP 107P		ASV..AQIS
Pin with rear clevis MP2 with seeger		SEC..AQIS
Narrow rear clevis		CFS..AQIS
Narrow rear eye with bearing DIN 648K		CMS..AQIS
Rear 90° hinge with bearing DIN 648K		ASS..AQIS
Anti-rotating pin for narrow rear clevis		SEC..ARAQIS
Flange VDMA		FLV..AQIS
Low foot		PB..AQIS
Round adjustable centre trunnion (tie rod)		CT..AQIS
Centre trunnion (profile barrel)		CTS..AQIS
Round centre trunnion not adjustable (threaded)		CTN..AQIS
Support for centre trunnion (tie rod)		ST..AQIS
Centre trunnion (tie rod) for heads		CTA..AQIS



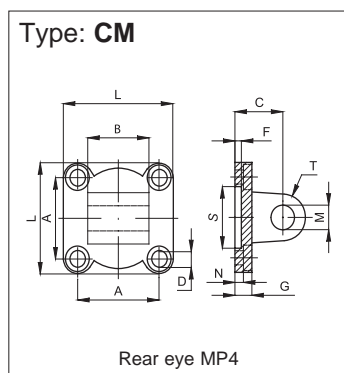
Technical data					
Type	Materials and treatments				
	Steel A105	Steel AVP	Fe 37	Black Cataphoresis	White zinking
CF..AQIS	•			•	
CM..AQIS	•			•	
ASV..AQIS	•			•	
SEC..AQIS		•			
CFS..AQIS	•			•	
CMS..AQIS	•			•	
ASS..AQIS	•			•	
SEC..ARAQIS		•			
FLV..AQIS			•		•
PB..AQIS			•		•
CT..AQIS	•				•
CTS..AQIS	•				•
ST..AQIS			•		•
CTA..AQIS	•				•

Note: Types ..AQIS+V supplied with mounting screws.
Types ..AQIS+GR supplied with grains.
For screws (if not supplied) see page 1.101.1



Code	Item	For cyl. Ø mm	A	L	D	R	N	B	S	F	Z	G	M	CM	T	Weight (g)
040461	CF032AQIS+V	32	32,5	45	6,6	11	5,5	10	30	5	22	10	10	26	45	138
040462	CF040AQIS+V	40	38	55	6,6	11	5,5	10	35	5	25	12	12	28	52	230
040463	CF050AQIS+V	50	46,5	65	9	15	6,5	10	40	5	27	12	12	32	60	338
040464	CF063AQIS+V	63	56,5	75	9	15	6,5	12	45	5	32	16	16	40	70	540
040465	CF080AQIS+V	80	72	95	11	18	10	14	45	-	36	16	16	50	90	1000
040466	CF100AQIS+V	100	89	115	11	18	10	16	55	-	41	20	20	60	110	1700
040467	CF125AQIS+V	125	110	140	13,5	20	10	20	60	-	50	25	25	70	130	3350
040468	CF160AQIS+V	160	140	180	18	26	10	20	65	7	55	30	25	90	170	5750
040469	CF200AQIS+V	200	175	220	18	26	11	20	75	7	60	30	25	90	170	8900

Perno da ordinare separatamente: per perno vedi pag. 1.98.2 (SEC..AQIS)



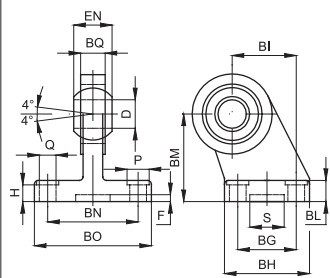
Code	Item	For cyl. Ø mm	A	L	D	R	N	G	S	F	C	M	T	B	Weight (g)	
040521	CM032AQIS+V	32	32,5	45	6,6	11	5,5	10	30	5	22	10	10	26	176	
040522	CM040AQIS+V	40	38	55	6,6	11	5,5	10	35	5	25	12	12	28	274	
040523	CM050AQIS+V	50	46,5	65	9	15	6,5	10	40	5	27	12	12	32	-0,2	368
040524	CM063AQIS+V	63	56,5	75	9	15	6,5	12	45	5	32	16	16	40	-0,6	682
040525	CM080AQIS+V	80	72	95	11	18	10	14	45	5	36	16	16	50	1196	
040526	CM100AQIS+V	100	89	115	11	18	10	16	55	5	41	20	20	60	2100	
040527	CM125AQIS+V	125	110	140	13,5	20	10	20	60	7	50	25	25	70	3740	
040528	CM160AQIS+V	160	140	180	18	26	10	20	65	7	55	30	25	90	-0,5	5890
040529	CM200AQIS+V	200	175	220	18	26	11	20	75	7	60	30	25	90	-1,2	8470

Mounting Accessories for Cylinders

Mounting for ISO 1552 in steel

1

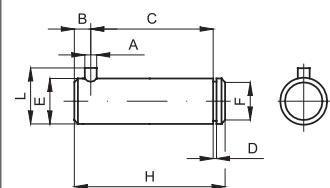
Type: ASS



Rear 90° hinge with bearing
DIN 648 K

Code	Item	For cyl. Ø mm	Q	M	BG	BH	BI	BL	BM	BN	BO	EN	ER	BQ	D	H	S	F	Weight (g)
040551	ASS032AQIS	32	6,6	11	18	31	21	10	32	38	51	14	15	10,5	10	8,5	20	3	178
040552	ASS040AQIS	40	6,6	11	22	35	24	10	36	41	54	16	18	12	12	8,5	20	3	268
040553	ASS050AQS	50	9	15	30	45	33	12	45	50	65	21	20	15	16	10,5	20	3	458
040554	ASS063AQIS	63	9	15	35	50	37	12	50	52	67	21	23	15	16	10,5	20	3	550
040555	ASS080AQIS	80	11	18	40	60	47	14	63	66	86	25	27	18	20	11,5	20	3	970
040556	ASS100AQIS	100	11	18	50	70	55	15	71	76	96	25	30	18	20	12,5	20	3	1326
040557	ASS125AQIS	125	13,5	20	60	90	70	20	90	94	124	37	40	25	30	17	20	3	3000

Type: SEC - AR

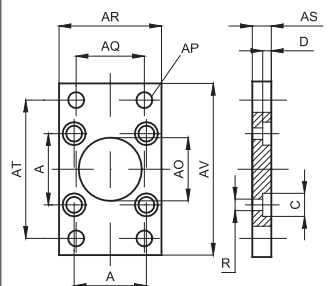


Anti-rotating pin for narrow rear clevis

Code	Item	For cyl. Ø mm	A	C	D	E	F	G	H	L	B	Weight (g)
040571	SEC032ARAQIS	32	3	32,5	1,1	10	9,6	4	41	14	4,5	26
040572	SEC040ARAQIS	40	4	38	1,1	12	11,5	4	48	16	6	42
040573	SEC050ARAQIS	50	4	43	1,1	16	15,2	5	54	20	6	84
040574	SEC063ARAQIS	63	4	49	1,1	16	15,2	5	60	20	6	94
040575	SEC080ARAQIS	80	4	63	1,3	20	19	6	75	24	6	184
040576	SEC100ARAQIS	100	4	73	1,3	20	19	6	85	24	6	208
040577	SEC125ARAQIS	125	6	94	1,6	30	28,6	7	110	36	9	606
040578	SEC160ARAQIS	160	6	119	1,6	35	33	7	135	41	9	972
040579	SEC200ARAQIS	200	6	119	1,6	35	33	7	135	41	9	972

It is supplied with 1 seeger included.

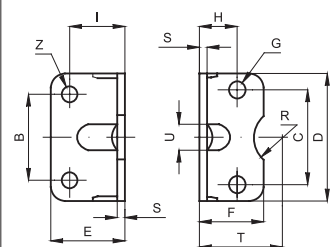
Type: FLV



Flange VDMA MF1 / MF2

Code	Item	For cyl. Ø mm	A	AP Ø	AO	R	AS	AR	AQ	AT	AV	C	D	Weight (g)
042119	FLV032AQIS+V	32	32,5	7	30	6,6	10	45	32	64	80	10,5	5	192
042120	FLV040AQIS+V	40	38	9	35	6,6	10	52	36	72	90	11	5	250
042121	FLV050AQIS+V	50	46,5	9	40	9	12	65	45	90	110	15	5,5	480
042122	FLV063AQIS+V	63	56,5	9	45	9	12	75	50	100	120	15	5,5	620
042123	FLV080AQIS+V	80	72	12	45	11	16	95	63	126	150	18	8	1415
042124	FLV100AQIS+V	100	89	14	55	11	16	115	75	150	170	18	8	1985
042125	FLV125AQIS+V	125	110	16	60	13,5	20	140	90	180	205	20	9,5	3750
042126	FLV160AQIS+V	160	140	18	65	18	20	180	115	230	260	26	10,5	6350
042127	FLV200AQIS+V	200	175	22	75	18	25	220	135	270	300	26	12,5	11300
042128	FLV250AQIS+V	250	220	26	90	22	25	285	165	330	400	33	14,5	20150
040683	FLV320AQIS+V	320	270	33	110	26	30	350	200	400	470	39	15	34550

Type: PB



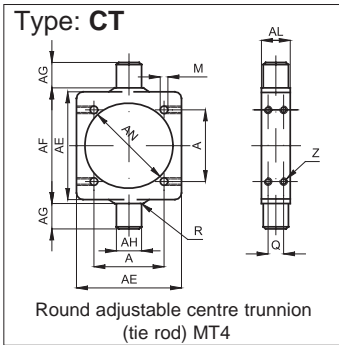
Low foot MS1

Code	Item	For cyl. Ø mm	C	B	D	E	F	G	H	I	S	T	R	U	Z	Weight (g)
042129	PB032AQIS+V	32	32,5	32	45	35	30	7	15,75	24	4	32	15	11	7	66
042130	PB040AQIS+V	40	38	36	52	36	30	7	17	28	4	36	17,5	15	9	78
042131	PB050AQIS+V	50	46,5	45	65	47	36	9	21,75	32	5	45	20	16	9	168
042132	PB063AQIS+V	63	56,5	50	75	45	35	9	21,75	32	5	50	22,5	18	9	190
042133	PB080AQIS+V	80	72	63	95	55	47	11	27	41	6	63	22,5	17	12	382
042134	PB100AQIS+V	100	89	75	115	57	53	11	26,5	41	6	71	27,5	24	14	452
042135	PB125AQIS+V	125	110	90	140	70	70	14	35	45	8	90	30	-	16	1090
042136	PB160AQIS+V	160	140	115	180	75	100	18	45	60	9	115	32,5	-	18	1188
042137	PB200AQIS+V	200	175	135	220	100	100	18	47,5	70	12	135	37,5	-	22	3450
042138	PB250AQIS+V	250	220	165	270	100	150	22	55	75	14	165	45	-	26	3800
042139	PB320AQIS+V	320	250	195	320	100	150	22	55	80	18	195	50	-	30	6600

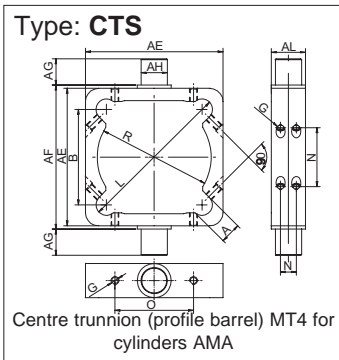
It is supplied singly.

Mounting Accessories for Cylinders

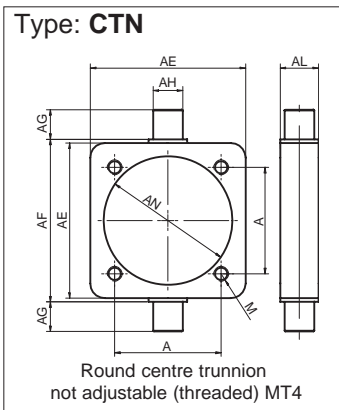
Mounting for ISO 1552 in steel



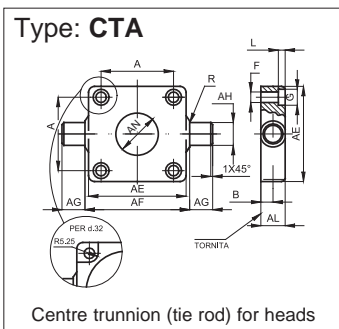
Code	Item	For cyl. Ø mm	A	AE	AL	AH e9	AG h14	AF h14	AN	R	M	Q	Z	Weight (g)
040581	CT032AQIS+GR	32	32,5	46	15	12	12	50	37	1	6,25	7	M5	110
040582	CT040AQIS+GR	40	38	59	20	16	16	63	46	1,5	6,25	8	M5	290
040583	CT050AQIS+GR	50	46,5	69	20	16	16	75	56	1,6	8,25	8	M6	330
040584	CT063AQIS+GR	63	56,5	84	25	20	20	90	69	1,6	8,25	12	M6	650
040585	CT080AQIS+GR	80	72	102	25	20	20	110	87	1,6	10,25	12	M8	830
040586	CT100AQIS+GR	100	89	125	30	25	25	132	107	2	10,25	15	M8	1560
040587	CT125AQIS+GR	125	110	155	32	25	25	160	133	2	12,25	15	M10	2450
040588	CT160AQIS+GR	160	140	190	40	32	32	200	170	2,5	16,25	18	M12	4150
040589	CT200AQIS+GR	200	175	240	40	32	32	250	211	2,5	16,25	18	M12	7300



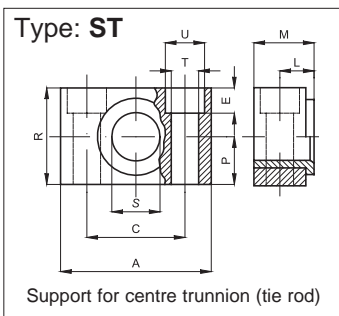
Code	Item	For cyl. Ø mm	B	AE	AL	AH e9	AG h14	AF h14	R	L	G	A	M	N	O	Weight (g)
040601	CTS032AQIS+GR	32	33	48.5	18	12	12	50	37	57	M5	11	15.5	7	/	104
040602	CTS040AQIS+GR	40	38	59	20	16	16	63	46	64	M6	11	20	8	/	234
040603	CTS050AQIS+GR	50	48	71	20	16	16	75	56	82	M6	14	22.5	8	/	300
040604	CTS063AQIS+GR	63	58	84	26	20	20	90	69	96	M6	14	30	12	/	577
040605	CTS080AQIS+GR	80	73	105	26	20	20	110	87	119	M6	16	45	12	58	858
040606	CTS100AQIS+GR	100	91	129	32	25	25	132	107	144.5	M8	17	60	15	74	1565
040607	CTS125AQIS+GR	125	116	154	33	25	25	160	133	181	M8	18	85.5	15	104	1932



Code	Item	For cyl. Ø mm	A	AE	AL	AH e9	AG h14	AF h14	AN	M	Weight (g)
040052	CTN032AQIS+GR	32	32.5	46	15	12	12	50	37	M6	110
040053	CTN040AQIS+GR	40	38	59	20	16	16	63	46	M6	290
048590	CTN050AQIS+GR	50	46.5	69	20	16	16	75	56	M8	330
040564	CTN063AQIS+GR	63	56.5	84	25	20	20	90	69	M8	650
040096	CTN080AQIS+GR	80	72	102	25	20	20	110	87	M10	830
040097	CTN100AQIS+GR	100	89	125	30	25	25	132	107	M10	1560
040098	CTN125AQIS+GR	125	110	155	32	25	25	160	133	M12	2450
040099	CTN160AQIS+GR	160	140	190	40	32	32	200	170	M16	4150
040100	CTN200AQIS+GR	200	175	240	40	32	32	250	211	M16	7300
040110	CTN250AQIS+GR	250	220	296	50	40	40	320	268	M20	13050
040590	CTN320AQIS+GR	320	270	370	60	50	50	400	343	M24	-



Code	Item	For cyl. Ø mm	AE	AL	AH	AG	AF	AN	A	B	F	G	L	R	Weight (g)
040591	CTA032AQIS+V	32	46	14	12	12	50	30	32,5	6,5	6,5	-	6	1	137
040592	CTA040AQIS+V	40	59	19	16	16	63	35	38	9	6,5	10,5	6	1,6	385
040593	CTA050AQIS+V	50	69	19	16	16	75	40	46,5	9	8,5	13,5	8	1,6	513
040594	CTA063AQIS+V	63	84	24	20	20	90	45	56,5	11,5	8,5	13,5	8	1,6	1041
040595	CTA080AQIS+V	80	102	24	20	20	110	45	72	11,5	10,5	16,5	10	1,6	1567
040596	CTA100AQIS+V	100	125	29	25	25	132	55	89	14	10,5	16,5	10	2	3000
040598	CTA125AQIS+V	125													



Code	Item	For cyl. Ø mm	A	M	R	P	C	S	L	U	T	E	Weight (g)
040681	ST032AQIS	32	46	18	30	15	32	12	10,5	11	6,6	7	100
040682	ST040/050AQIS	40-50	55	21	36	18	36	16	12	15	9	9	150
040684	ST063/080AQIS	63-80	65	23	40	20	42	20	13	18	11	11	234
040686	ST100/125AQIS	100-125	75	28,5	50	25	50	25	16	20	14	13	435
040688	ST160/200AQIS	160-200	92	40	60	30	60	32	22,5	26	18	17	850

It is supplied singly.