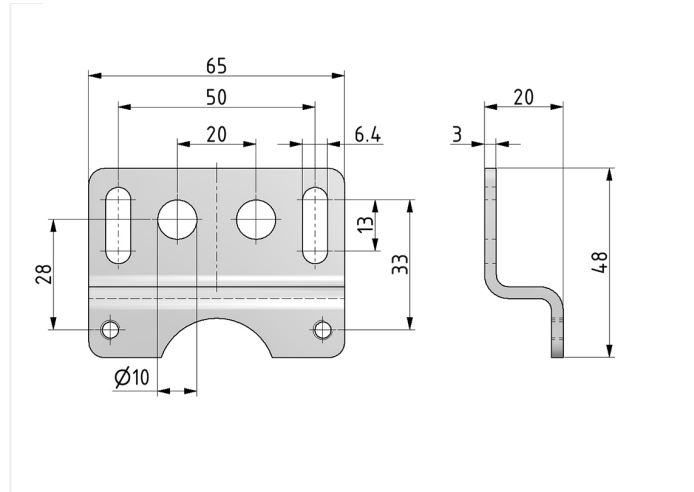


## Accessories of the Multi-Fix series

Mounting bracket (ZW.33+2x screw M5x75 DIN912)



| type    | part-number | series 2  | series | weight   |
|---------|-------------|-----------|--------|----------|
| ZW.33-1 | 052201      | Multi-Fix | BG3    | 0.102 kg |

### technical data

- **description:** Mounting bracket
- **material:** steel galvanized
- **fixing:** mounting with 2 screws

### accessories