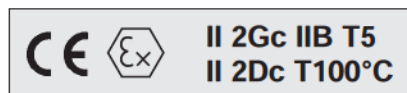


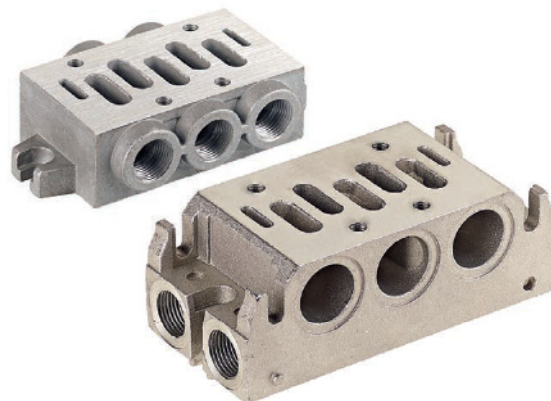
Valves ISO 5599/1
Sub-bases, ISO2

Standard executions			
Version	Symbol	Code	Item
Single sub-base		032200	SBA2S
Manifold sub-base		032130	SBA2M
Blank manifold end plate		032150	SBA2C
Ported manifold end plate		032151	SBA2A
Manifold blanking plate		032180	SBA2T
Interface for sub-base from size ISO1 to ISO2		032160	SBA1A2

The blank manifold end plate can be used to separate 2 supplies with different pressures on the same manifold.



On request, they can be supplied according to 2014/34/EU - ATEX

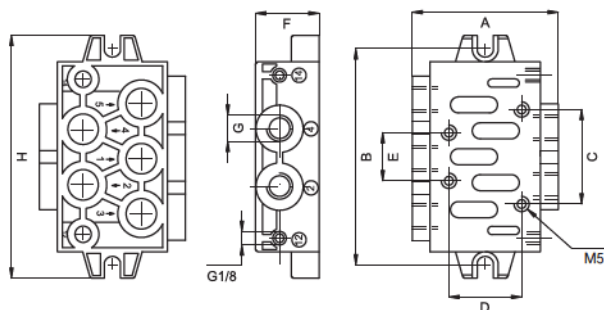


Series of single and manifold sub-bases for valves ISO5599/1 size 2.

Materials:	Body: Die-cast aluminium
	Seals: Nitrile rubber (NBR)
	Screws: Zinc plated steel

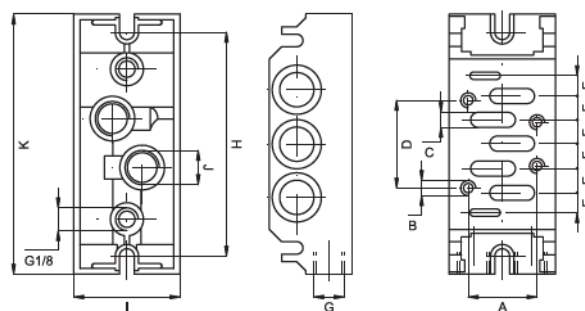
- The kit SBA2M includes: 2 screws and 3 seals
- The kit SBA2C/A includes: 2 screws and 3 seals
- The kit SBA2T includes: 4 screws and 1 seal
- The kit SBA1A2 includes: 4 screws and 6 seals

Type: **SBA2S**



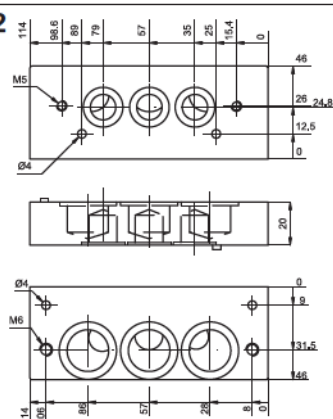
A	B	C	D	E	F	G	H
65	100,5	48	38	24	30	3/8"	112,5

Type: **SBA2M**

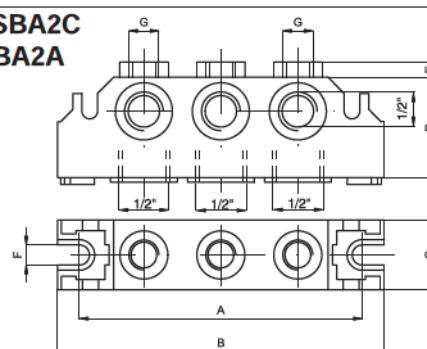


A	B	C	D	E	F	G	H	I	J	K
38	M6	7	48	10	12	3/8"	102	56	3/8"	120

Type: **SBA1A2**



Type: **SBA2C**
SBA2A



A	B	C	D	E	F	G
102	120	29	43	7	6,5	1/4"