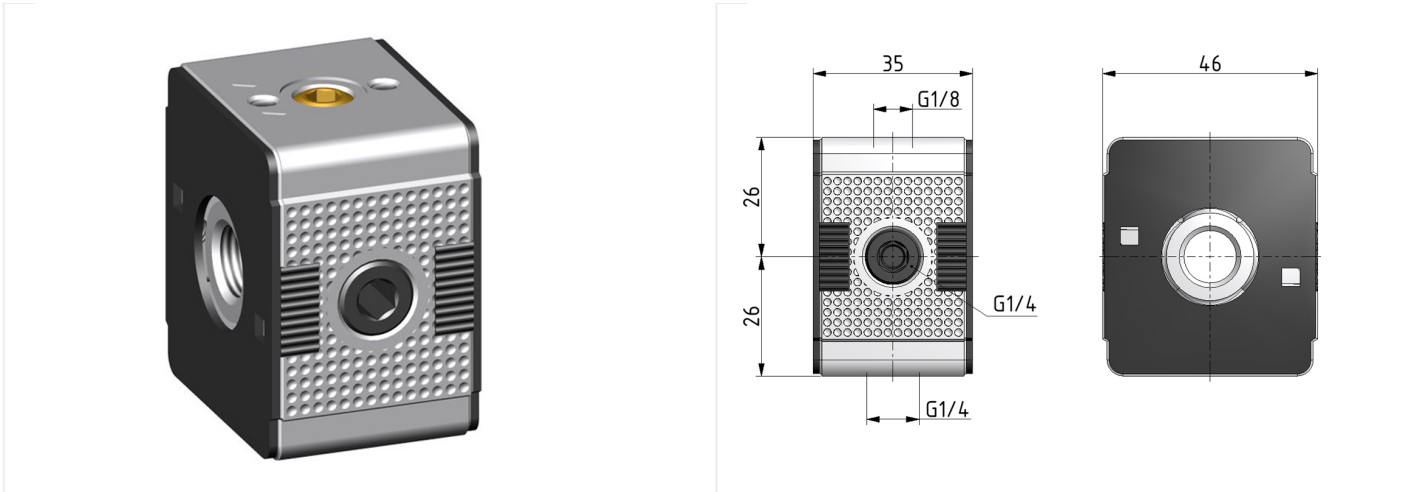


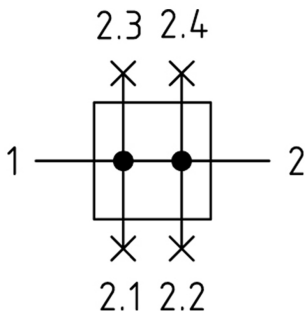
System extensions of the Multi-Fix series

Distributor small G1/4



| type | part-number | series | port size | weight |
|------|-------------|-----------|-----------|----------|
| Z.11 | 005002 | Multi-Fix | G 1/4 | 0.193 kg |

symbol



technical data

- **description:** cross manifold (manifold block)
- **medium:** compressed air, neutral gases
- **supply pressure P1 max.:** 16 bar
- **temperature range:** -10°C - +60°C
- **flow rate 1 => 2:** 3300 l/min
- **flow rate below 1 => 2.1:** Qn = 2300 l/min (at P1 = 6 bar, delta p = 1 bar)
- **flow rate top 1 => 2.2:** Qn = 1100 l/min (at P1 = 6 bar, delta p = 1 bar)
- **flow rate front 1 => 2.3:** Qn = 2300 l/min (at P1 = 6 bar, delta p = 1 bar)
- **flow rate back 1 => 2.4:** Qn = 2300 l/min (at P1 = 6 bar, delta p = 1 bar)

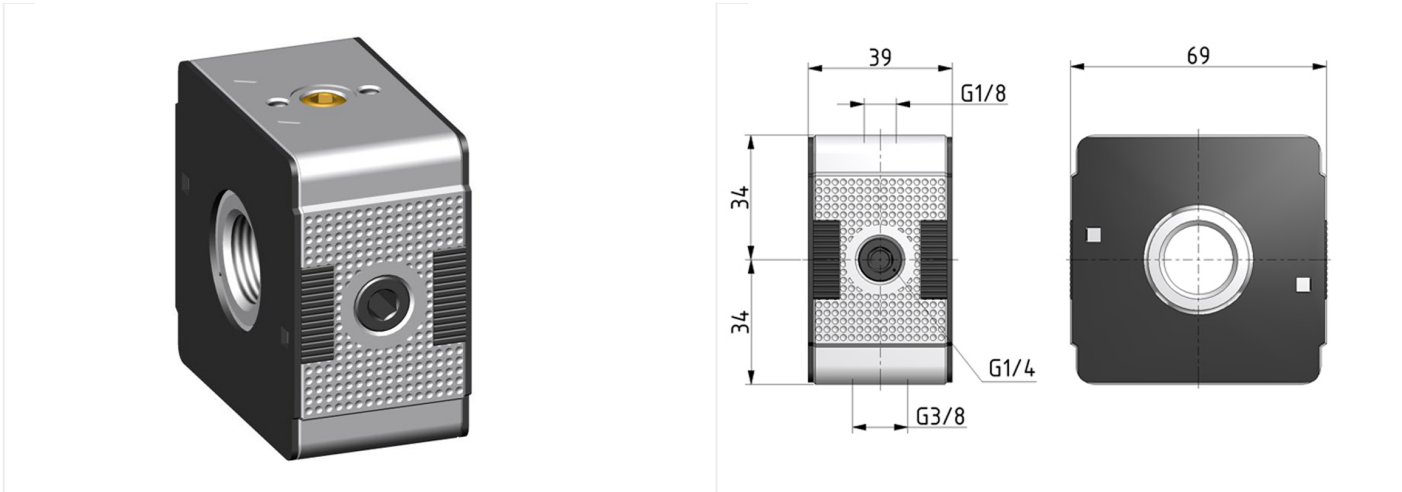
accessories



- Druckschalter: [PE.10](#)

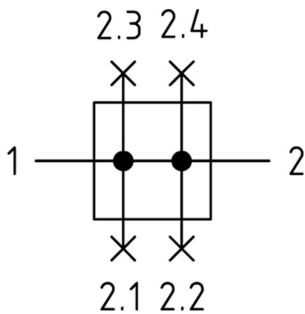
System extensions of the Multi-Fix series

Distributor small G1/2 for P/E transformer



| type | part-number | series | port size | weight |
|------|-------------|-----------|-----------|----------|
| Z.33 | 007492 | Multi-Fix | G 1/2 | 0.361 kg |

symbol



technical data

- **description:** cross manifold (manifold block)
- **medium:** compressed air, neutral gases
- **supply pressure P1 max.:** 16 bar
- **temperature range:** -10°C - +60°C
- **flow rate 1 => 2:** 11000 l/min
- **flow rate below 1 => 2.1:** Qn = 3450 l/min (at P1 = 6 bar, delta p = 1 bar)
- **flow rate top 1 => 2.2:** Qn = 1400 l/min (at P1 = 6 bar, delta p = 1 bar)
- **flow rate front 1 => 2.3:** Qn = 2600 l/min (at P1 = 6 bar, delta p = 1 bar)
- **flow rate back 1 => 2.4:** Qn = 2600 l/min (at P1 = 6 bar, delta p = 1 bar)

accessories



- Druckschalter: [PE.10](#)