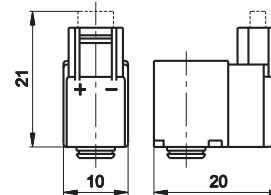


COILS



COUPLING TABLE COILS/ELECTROPILOTS ELECTROPILOTS/SOLENOID VALVES			Electropilots					
			A	B	AA(U1)	AA(U3)	AB (U2)	
Coils	U04	10 mm		■				
	U05	15 mm	■					
	U1	22 mm			■			
	U2	30 mm					■	
	U3	30 mm				■		
Solenoid valves	BE		ISO 1 - ISO 2 ISO 3 - ISO 4			■	■	
			ISO 1 ISO 2			■	■	
	BD		ISO 01 26 mm ISO 02 18 mm	■				
	AC-N		NAMUR interface			■	■	
	CL CM		G1/8 G1/4			■	■	
			G1/8 sub-base	■				
	G7		G1/8	■				
	PS		tube Ø 4 tube Ø 6 tube Ø 8		■			
	AC		G1/8 - G1/4					
			G1/2			■	■	
	AF		G1/8			■	■	■
			G1/4 - G3/8			■	■	
			G1/2 ÷ G1 1/2					■
	AG		G1/8			■	■	
		G1/4 ÷ G1 1/2					■	

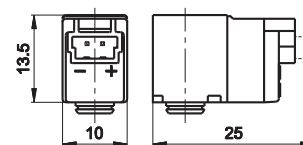
U04 coil with integrated 90° upward connector



Life of ED (a)	Input W		Tension tolerance	Rated voltage	Weight	Part no.	Connector
	%	continuo					
100	1,2	1,2	±10	24 V DC	0,013	DE-352	D-500 D-530-... D-535-...
100	1,35	1,35	±10	24 V DC	0,013	DE-452	

Upon request 12 VDC

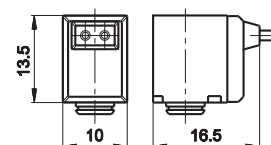
U04 coil with in-line connector



Life of ED (a)	Input W		Tension tolerance	Rated voltage	Weight	Part no.	Connector
	%	continuo					
100	1,2	1,2	±10	24 V DC	0,013	DE-552	D-500 D-530-... D-535-...
100	1,35	1,35	±10	24 V DC	0,013	DE-652	

Upon request 12 VDC

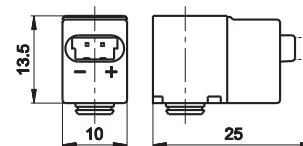
U04 coil with loose cables (length 300 mm)



Life of ED (a)	Input W		Tension tolerance	Rated voltage	Weight	Part no.(b)
	%	continuo				
100	1,2	1,2	±10	24 VDC	0,013	DE-052L030

Upon request 12 VDC

U04 coil with in-line connector with protecting cover for complete tightness



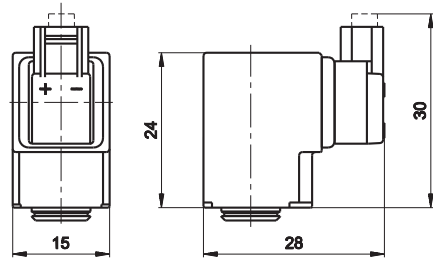
Life of ED (a)	Input W		Tension tolerance	Rated voltage	Weight	Part no.	Connector
	%	continuo					
100	1,35	1,35	±10	12 V DC	0,013	DE-642I	D-500 D-530-... D-535-...
100	1,35	1,35	±10	24 V DC	0,013	DE-652I	

(a) = 110V - 230V solenoid valves must be built-in (EN-60204-1)

under continuous service a maximum temperature will not compromise the functioning of the coil provided that the working position is ventilated

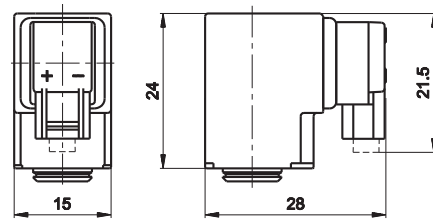
(b) = different wire lengths are available upon request

U05 coil with integrated 90° upward connector



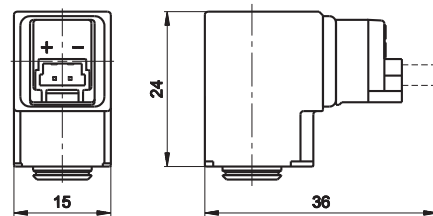
Life of ED (a)		Input W		Tension tolerance	Rated voltage	Weight Kg	Part no.	Connector
%		continuo	start	%				
100		2	2	±10	24 V DC	0,019	DD-351	D-500 D-530-... D-535-...

U05 coil with integrated 90° upward connector



Life of ED (a)		Input W		Tension tolerance	Rated voltage	Weight Kg	Part no.	Connector
%		continuo	start	%				
100		2	2	±10	24 V DC	0,019	DD-151	D-500 D-530-... D-535-...

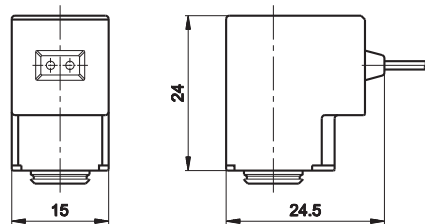
U05 coil with in-line connector



Life of ED (a)		Input W		Tension tolerance	Rated voltage	Weight Kg	Part no.	Connector
%		continuo	start	%				
100		2	2	±10	24 V DC	0,019	DD-551	D-500 D-530-... D-535-...

Upon request: version with LED and V DC version

U05 coil with loose cables



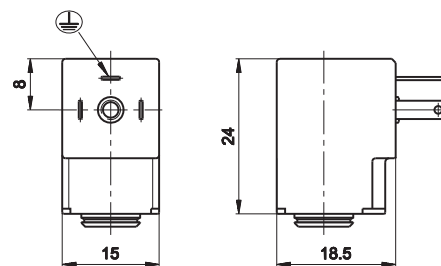
Life of ED (a)		Input W		Tension tolerance	Rated voltage	Weight Kg	Part no. (b)
%		continuo	start	%			
100		1,5	1,5	±10	12 V DC	0,019	DD-051L030
100		2	2	±10	24 V DC	0,019	DD-052L030

(a) = 110V - 230V solenoid valves must be built-in (EN-60204-1)

under continuous service a maximum temperature will not compromise the functioning of the coil provided that the working position is ventilated




(b) = different wire lengths are available upon request

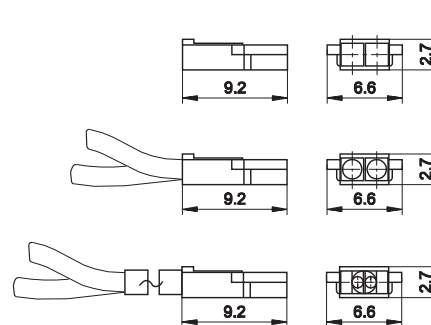
U05 lato 15 mm coil - Faston



Life of ED (a) %	Input W				Tolerance		Rated voltage		Frequency	Weight	Part no.	Connector
	DC W		AC VA		tension %		DCV	ACV	HZ	Kg		
	Contin.	Start	Conti.	Start	DC	AC						
100	-	-	3,5	-	-	±10	-	24	50/60	0,019	DD-011	AM-5109
100	-	-	3,5	-	-	±10	-	230	50/60	0,019	DD-013	
100	-	-	2,3	3,2	±10	±10	-	24	50/60	0,019	DD-040	
100	1,5	1,5	-	-	±10	-	12	-	-	0,019	DD-041	
100	2,5	2,5	-	-	±10	±10	12	-	-	0,019	DD-042	
100	-	-	2,3	3,2	±10	-	-	48	50/60	0,019	DD-050	
100	2	2	-	-	±10	±10	24	-	-	0,019	DD-051	
100	2,5	2,5	-	-	±10	-	24	-	-	0,019	DD-052	
100	-	-	-	-	±10	±10	-	110	50/60	0,019	DD-060	
100	-	-	2,3	3,2	±10	-	-	230	50/60	0,019	DD-070	

Connectors for U04 e U05 coils

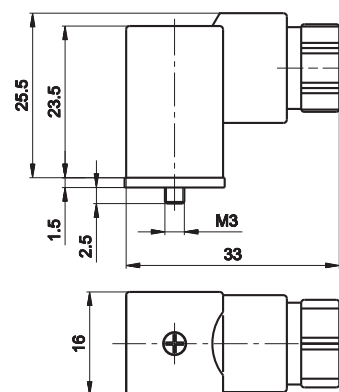
	Length mm	Coil	Part no.
MINIATURE CONNECTOR WITHOUT WIRES			
	-	U04/U05	D-500
MINIATURE CONNECTOR WITH LOOSE CABLES			
	300	U04/U05	D-530-30
	500	U04/U05	D-530-50
	2000	U04/U05	D-530-200
MINIATURE CONNECTOR WITH CABLE			
	300	U04/U05	D-535-30
	500	U04/U05	D-535-50
	2000	U04/U05	D-535-200



CAUTION! Do not invert the polarity when connecting to be coil with LED.
15 mm connector



- U05 AM-5109



Protection according to IP65. PG9 cable connection. 180° rotation on the coil.

Upon request version with LED:

(a) = 110V - 230V solenoid valves must be built-in (EN-60204-1)

under continuous service a maximum temperature will not compromise the functioning of the coil provided that the working position is ventilated



Possibility of replacement without intervention in the pneumatic circuit

Other voltages available upon request

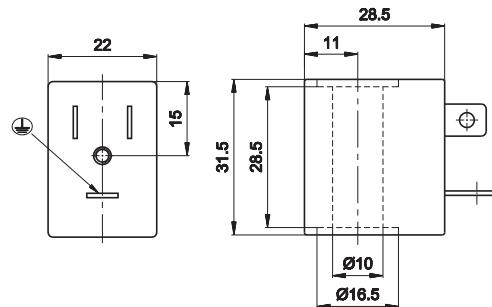
360° rotation on the pilot. Coil winding: H class

Ambient temperature: -10 ÷ +45 °C. Fluid temperature: -10 ÷ +95 °C.

The solenoid valves functioning with 100V-230V must be incorporated (EN60204-1)

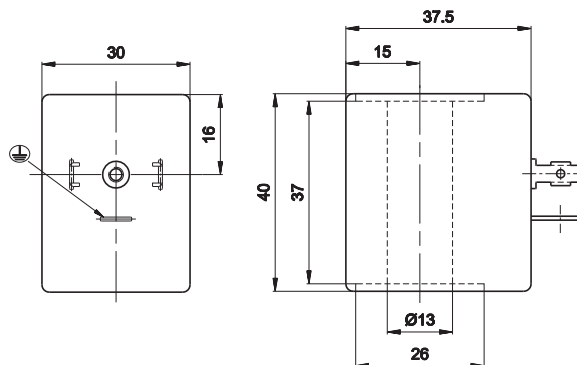
Under continuous service a maximum temperature will not compromise the functioning of the coil provided that the working position is ventilated.

U1 22 mm coil to be used with U1 electropilot



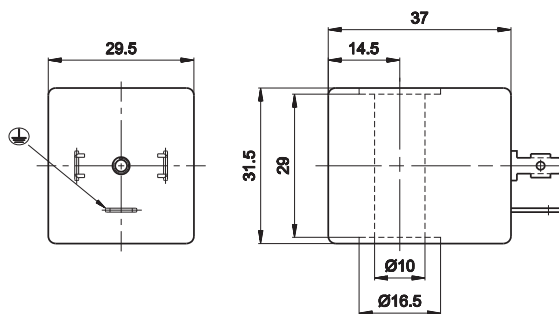
Life of ED (a)		Input W		Tolerance tension	Rated voltage	Weight	Part no.
%		continuo	start	%		Kg	
100		3,5	3,5	±10	12 V DC	0,06	DA-0050
100		3,5	3,5	±10	24 V DC	0,06	DA-0051
100		5,4 VA (max)	7,8 VA (max)	±10	24 V AC/50-60 HZ	0,06	DA-0106
100		5,4 VA (max)	7,8 VA (max)	±10	110 V AC/50-60 HZ	0,06	DA-0108
100		5,4 VA (max)	7,8 VA (max)	±10	230 V AC/50-60 HZ	0,06	DA-0124

U2 30 mm coil to be used with U2 electropilot



Life of ED (a)		Input W		Tension tolerance	Rated voltage	Weight	Part no.
%		continuous	start	%		Kg	
100		11	11	±10	12 V DC	0,10	DB-0501
100		11	11	±10	24 V DC	0,10	DB-0502
100		10 VA (max)	16 VA (max)	±10	24 V AC/50-60 HZ	0,10	DB-0507
100		10 VA (max)	16 VA (max)	±10	110 V AC/50-60 HZ	0,10	DB-0509
100		10 VA (max)	16 VA (max)	±10	230 V AC/50-60 HZ	0,10	DB-0510

U3 30 mm coil to be used with U1 electropilot



Life of ED (a)		Input W		Tension tolerance	Rated voltage	Weight	Part no.
%		continuous	start	%		Kg	
100		2,5	2,5	±10	12 V DC	0,08	DC-0301
100		2,5	2,5	±10	24 V DC	0,08	DC-0302
100		3,3 VA (max)	5 VA (max)	±10	24 V AC/50-60 HZ	0,08	DC-0307
100		3,3 VA (max)	5 VA (max)	±10	110 V AC/50-60 HZ	0,08	DC-0309
100		3,3 VA (max)	5 VA (max)	±10	230 V AC/50-60 HZ	0,08	DC-0309

(a) = 110V - 230V solenoid valves must be built-in (EN-60204-1) under continuous service a maximum temperature will not compromise the functioning of the coil provided that the working position is ventilated

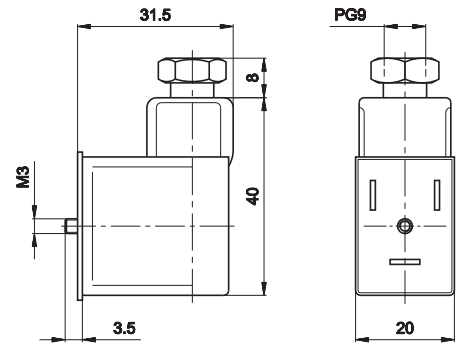
Connector for U1 coil

Coil	Part no.
Connector	



U1 AM-5110

Protection according to IP 65. PG9 cable connection. 180° rotation on the coil. LED and moulded cable are available upon request.



Connector for U2, U3 coil

Coil	Part no.
DIN 43650 connector	



U2/U3 AM-5111

Protection according to IP 65. PG9 cable connection. 360° rotation on the coil. LED and moulded cable are available upon request.

