

LTi60 SERIES

Robust linear units with
wheel guide in stainless steel
Hygienic design

- Open design, the width of the profile is 55 mm
- Guide system of hardened wheels
- Toothed belt type AT10, 16 mm wide, in FDA blue version
- Easy to clean
- C45 guide wheel system is very resistant to pollution
- All components in inox material

TECHNICAL DATA

LTi60-TRB-C45

Maximum stroke*	mm	2.300
Maximum speed	mm/s	1.500
Maximum acceleration	m/s ²	30
No load torque	Nm	0,2
Repeatability	mm	± 0,1
Movement per revolution	mm	200

* longer lengths on request

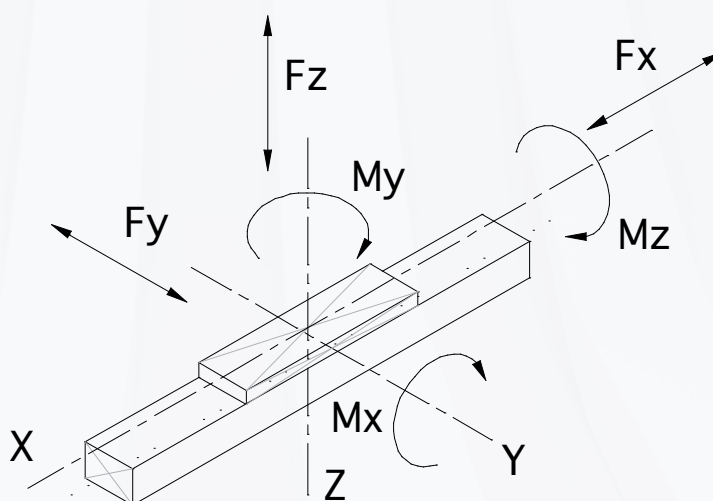
ALMOTION

LTi60 SERIES

TECHNICAL DATA

Load capacity LTi60-TRB-C45

Mx	Nm	80
My	Nm	120
Mz	Nm	8
Fx	N	2.100
Fy	N	1.600
Fz	N	860



WEIGHTS (KG)

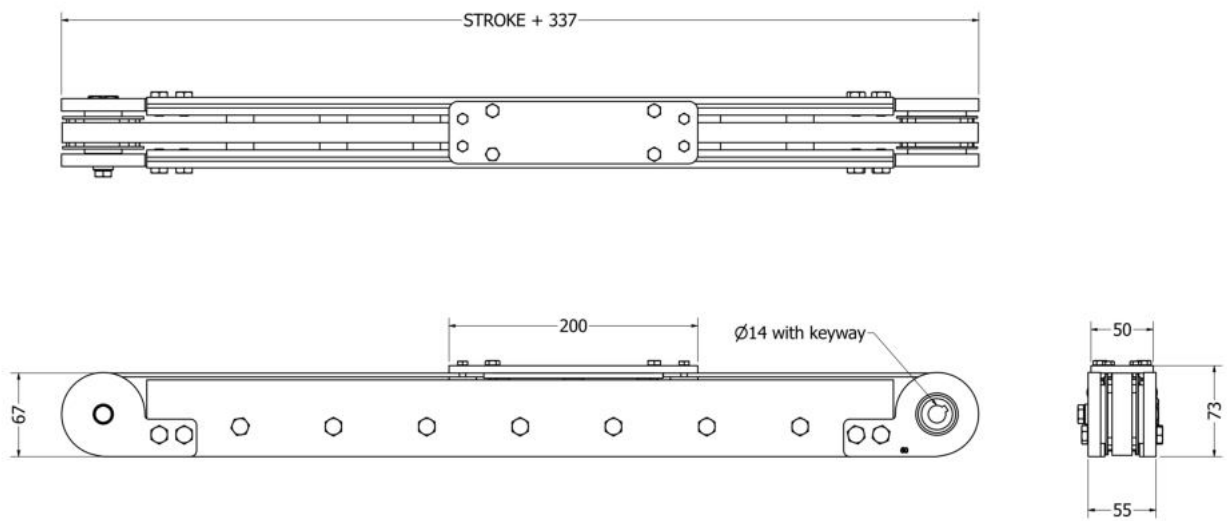
LTi60-TRB-C45

Unit weight 0 mm stroke	5,00
Weight per 100 mm stroke	0,40
Mass of carriage	0,70

ALMOTION LTi60 SERIES

DIMENSIONS

DIMENSIONS LTi60-TRB-C45



Threadholes for mounting are made on customerspecifications.

Worldwide support for linear units.
Please contact us for your local
technical assistant.

LINEAIRTECHNIEK® by **ALMOTION**®

Almotion bv

Nijverheidsweg 14
6662 NG ELST (Gld)
The Netherlands
T : 0031 85 0491 777
F : 0031 85 0491 770
E : info@almotion.nl
I : www.almotion.nl
I : www.linearmotion.nl
I : www.lineairegeleiding.nl

ISO 16016:2000

Technical product documentation - Protection notices for restricting the use of documents and products.