

STP Series

Ultrathin Flow-Shaped Suction Cup



SB
SBA
SBB
SBF
SBOF
SFT
STP

Features

- ◇ Ultrathin(0.25mm) flower-shaped lip design is better to fit a variety of soft bag packaging, to ensure tightness during handling.
- ◇ The inner wedge-shaped support structure can effectively enhance the support strength and ensure the maximum gripping strength
- ◇ The lateral ports of fitting are evenly distributed, which can effectively prevent the soft packaging bag from blocking the port.

SBL
SBLP
SF
SU
SUF
SFG
STC

Applications

- ◇ Suitable for soft packaging bag(washing powder, laundry detergent, instant noodles, bread in bags, courier bags)

SFF
SFM
SDM
SOB
SOF
SOG
SFP

How to order

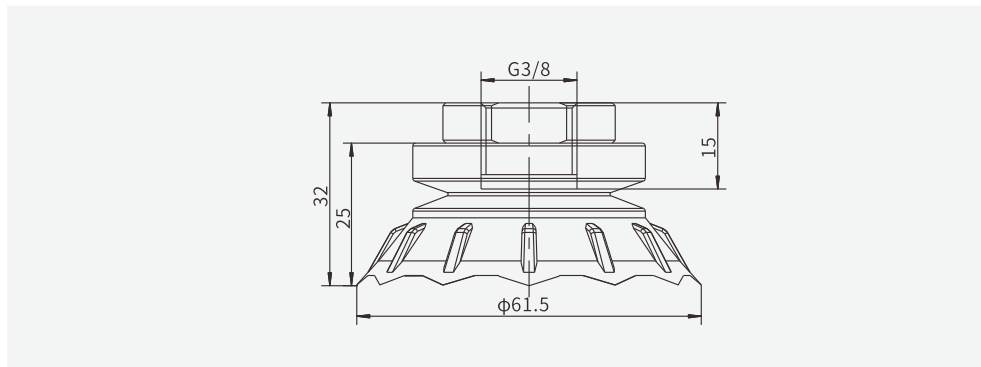
STP 60 S - G3F

① ② ③ ④

① Series	② Diameter	③ Material & Hardness	④ Connection thread
STP	60-φ60mm	S - Silicone 35	Nil - Suction cup alone G3F - G3/8 Female thread

SBP
SXP
SGP
SDL
SH
SHB

Dimensions (mm)



SZ
SAN
SAO
SPA
SPC
SPF
SPJ

Mounting parts

Item	Model
Fitting for suction cup	PJS-G3F-STP60

◇Note: Please refer to suction cup with locking fitting and level compensator on page 24.

SPU
SNP
SOP