

VALVE TERMINALS

Series A5



Find out our
key products



Solution for most applications



Easy and intuitive choice



Excellent value for money



Wide availability



Fast delivery



Valve terminals series A5

Features and certifications

Valve terminals available in sizes 10mm and 14mm. Three different modular interfaces can be applied to all sub-bases for configuring the type of communication: Fieldbus interface (communication selectable between ProfiNET®, EtherCAT®, EtherNET/IP® and CC-Link IE™ Field Basic), multipolar Sub-D interface and IO-Link® interface. The solenoid valves are assembled in a simple and practical way. Each valve, even if in an intermediate position, can be easily replaced. The valve coils are low consumption (1.2W), with 360° view LED, equipped with "push" and bistable manual override. The multiple sub-bases with set positions, from 4 to 24, and with the possibility of internal or external piloting to the solenoid valves by simply applying a screw or plug in the relevant connection. Blanking plugs for unused positions and diaphragms for separate feeding or exhausts are available. Valve terminals are supplied complete (fittings, exhaust silencers and interface connection cables to be ordered separately), already assembled and tested. Supplied as standard in compliance to Reach and RoHS directives. The individual components necessary to compose a complete island can also be supplied separately.



Solenoid valves for valve terminals series A5

da pag. 2.71.1



Solenoid valves type A5V with sub-base connections for valve terminals series A5, available in size 10 mm and 14 mm, in different functions. Low consumption coils (1.2W), with 360° view LED, equipped with "push" and bistable manual override. These valves, compatible with sub-bases of the respective size and with all the available communication interfaces, are assembled to the sub-base in a simple and practical way.

Sub-bases for valve terminals series A5

da pag. 2.72.1



Sub-bases type A5B for valve terminals series A5, available in sizes 10 mm and 14 mm, with set position from 4 to 24 (4, 5, 6, 7, 8, 9, 10, 12, 14, 16, 20 or 24 stations). Equipped with integrated PCB, are compatible with all the available interfaces (Fieldbus, Multipolar Sub-D and IO-Link®), and with solenoid valves of the respective size. Accessories such as plugs and screws for internal or external feeding, blanking plugs for unused positions, diaphragms for separated feeding and exhausts to be ordered separately.

Interfaces for valve terminals series A5

da pag. 2.73.1



Communication interfaces for valve terminals series A5. Available in three different types: Fieldbus interface, configurable in four protocols (ProfiNET®, EtherCAT®, EtherNET/IP® and CC-Link IE™ Field Basic); multipole Sub-D 25 poles interface; IO-Link® interface in version 8, 16 or 24 (depending on the maximum number of manageable valves). Connection cables to be ordered separately.

Complete valve terminals series A5

da pag. 2.74.1



Complete valve terminals, available in sizes 10mm and 14mm, with sub-bases with set positions (from 4 to 24 stations) and with communication interface type Fieldbus (protocols configurables between ProfiNET®, EtherCAT®, EtherNET/IP® and CC-Link IE™ Field Basic), Sub-D or IO-Link®. Valve terminals are supplied already assembled and tested. Fittings, exhaust silencers, communication cables for interface and accessories for sub-bases are to be ordered separately.

Accessories for valve terminals series A5

da pag. 2.75.1



Accessories for sub-bases such as plugs and screws for internal or external feeding, blanking plugs for unused positions, diaphragms for separated feeding and exhausts. Cables compatibles with modular communication interfaces type Fieldbus, Sub-D 25 poles and IO-Link®, available in different types and configurations.

Valve terminals series A5

Selection, configuration and code key

Code key

Series	Size	Communication	Positions	Piloting ⁽¹⁾	Valve type	Valve sequence ⁽²⁾	/	Plugs ⁽²⁾	/	Diaphragms ⁽²⁾
A5	14	07	09	E	B	1C2D4S	/	2T0409	/	AR0405

A5	10 = 10 mm 14 = 14 mm	01 = Fieldbus ProfiNET® 02 = Fieldbus EtherCAT® 03 = Fieldbus EtherNET/IP® 04 = Fieldbus CC-Link IE™Field Basic 05 = Sub-D 25 poles 06 = IO-Link® (up to 8 managed valves) 07 = IO-Link® (up to 16 managed valves) 08 = IO-Link® (up to 24 managed valves)	04 = 4 positions 05 = 5 positions 06 = 6 positions 07 = 7 positions 08 = 8 positions 09 = 9 positions 10 = 10 positions 12 = 12 positions 14 = 14 positions 16 = 16 positions 20 = 20 positions 24 = 24 positions	E = External I = Internal	B = Sub-bases valve L ⁽³⁾ = Semi in-line valve	C = 5/3 closed centres E = 5/3 open centres P = 5/3 pressurized centres D = 5/2 solenoid/solenoid F = 2-3/2 N.C. G = 2-3/2 N.O. H = 2-3/2 N.C.-N.O. S = 5/2 solenoid/spring	T = Plug	A = Feeding diaphragm R = Exhaust diaphragm
----	--------------------------	---	--	------------------------------	--	--	----------	--

Important note

The desired valves has to be inserted in the code key as per the sequence indicated in the table:
first 5/3, then 5/2 sol./sol., then 2-3/2, finally 5/2 sol./spring.

How to order⁽⁴⁾

Series	Size	Communication	Positions	Piloting	Valve type	Valve sequence	Plugs	Diaphragms
A5	14	07	09	E	B	1C2D4S	2T0409	AR0405

Notes

- For standard materials see from page 2.70.7
- For selection and configuration of the valve island, see from page 2.70.4
- (1) For further information on internal or external piloting, see page 2.70.6
- (2) For further information on valves sequence and position, on plugs and diaphragms sequence and position, see from page 2.70.4
- (3) For semi in-line valves, please contact the sales department.
- (4) Order example for 9 position sub-base, size 14mm, external piloting, IO-Link® 16 communication interface and the following solenoid valves assembled starting from the feeding/communication module: one element with 5/3 closed centres function, two elements with 5/2 solenoid/solenoid function, one plug for unused position, diaphragm for separated feeding and diaphragms for separated exhausts, four elements with 5/2 solenoid/spring function and one plug for unused position.

2 - VALVES

Valve terminals series A5

Selection, configuration and code key

Selection

Parameters for selection of the valve terminal:

- **size**: for flow rates up to 300 l/min size 10 mm, for flow rates up to 600 l/min size 14 mm;
- **the communication module**, available in Fieldbus interfaces (with ProfiNET®, EtherCAT®, EtherNET/IP® or CC-Link IE™ Field Basic protocols), multipole Sub-D and IO-Link® (in version 8, 16 and 24 depending on the maximum number of manageable valves);
- **the number of positions on the sub-base**, from 4 to 24 positions, available: 4, 5, 6, 7, 8, 9, 10, 12, 14, 16, 20 or 24 stations;
- **the internal or external piloting** of the valve terminal, which in any case is always switchable (see page 2.70.6);
- **the number and functions of solenoid valves** needed in the application, the blanking plugs for any unused position and diaphragms for separated feedings and/or exhausts.

For the configuration and sequence of the different elements, please refer to the relevant tables on this page.

Elements configuration

The solenoid valves are indicated with a letter, while the quantity with a number. The sequence in which they will be assembled on the sub-base is intended starting from the communication interface module.

The priority in the suffix and the positioning on the sub-base is given by the order inside the grid, from top to bottom, preceded by the indication of the number of valves required.

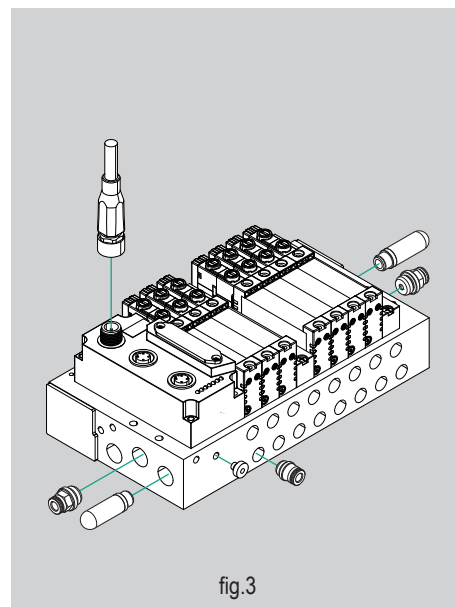
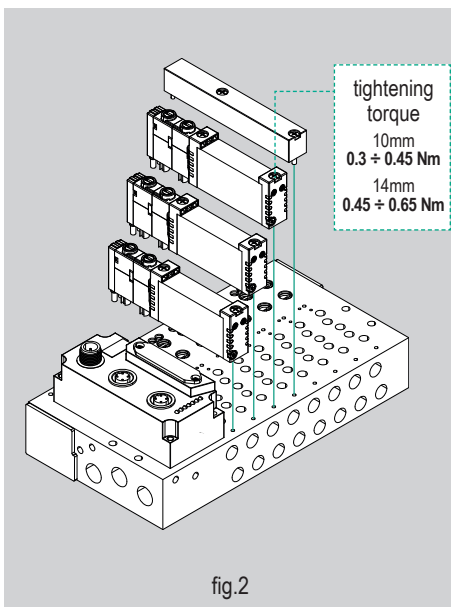
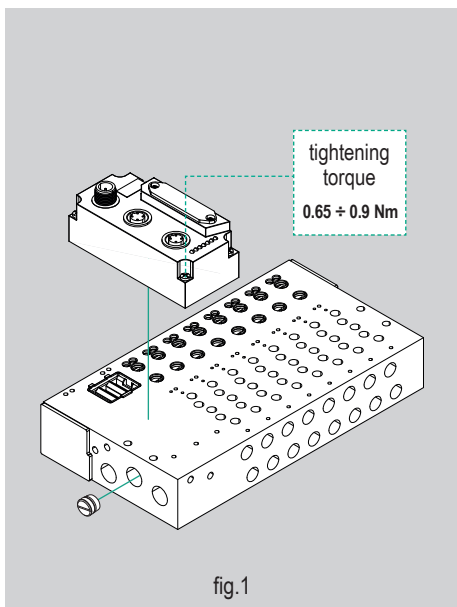
If is necessary to apply blanking plugs for unused positions, please indicate after the slash bar the number of elements required, the suffix "T", and the desired position on the base.

If is necessary to apply diaphragms to separate feedings and/or exhausts, please indicate after the slash bar the number of elements required, the suffix "A" for the separated feeding diaphragms and/or the suffix "R" for the separated exhausts diaphragms, and the desired position on the base.

For further information on the separated feeding and exhausts, please see page 2.70.6

The island configured in this way will be supplied complete (fittings, exhaust silencers and interface connection cables to be ordered separately), assembled and tested.

Elements assembly



If is required to assemble the valve terminal, install as the first element the communication module and any diaphragms for separate feedings or exhausts (see fig.1). For configuration and assembly of diaphragms, please see page 2.70.6

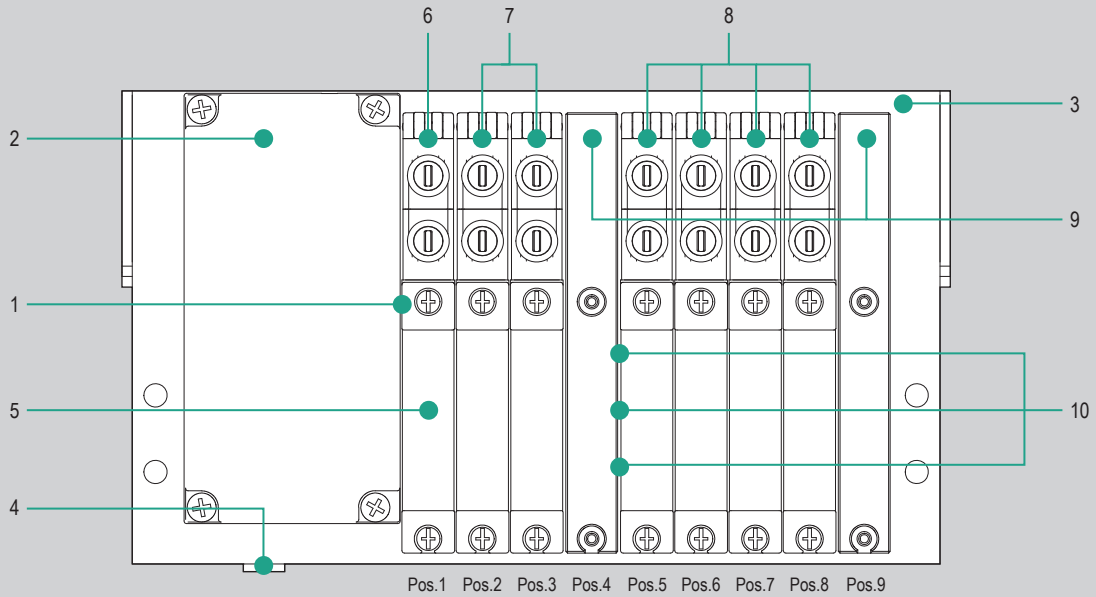
Then proceed installing the individual valves and any plugs for unused positions where applicable, always starting from the interface (see fig.2) following the order indicated in the table at page 2.70.5

Finally apply fittings, silencers and cables (see fig.3). For piloting configuration, please see page 2.70.6

Fittings, silencers, cables and accessories, to be ordered separately, see page 2.70.8

Valve terminals series A5
Selection, configuration and code key

Elements sequence example



1	2	3	4	5	6	7	8	9	10							
A5	14	07	09	E	B	1 C	2 D	4 S	/	2 T	04	09	/	A	R	0405

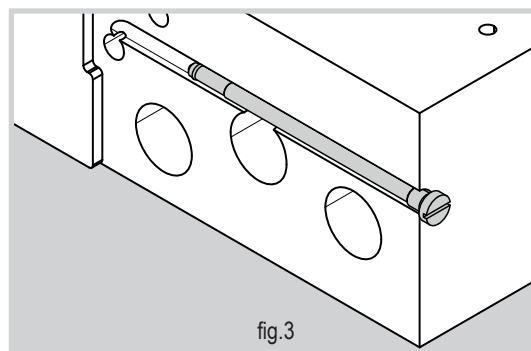
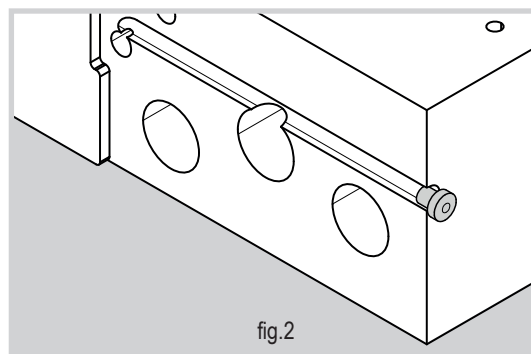
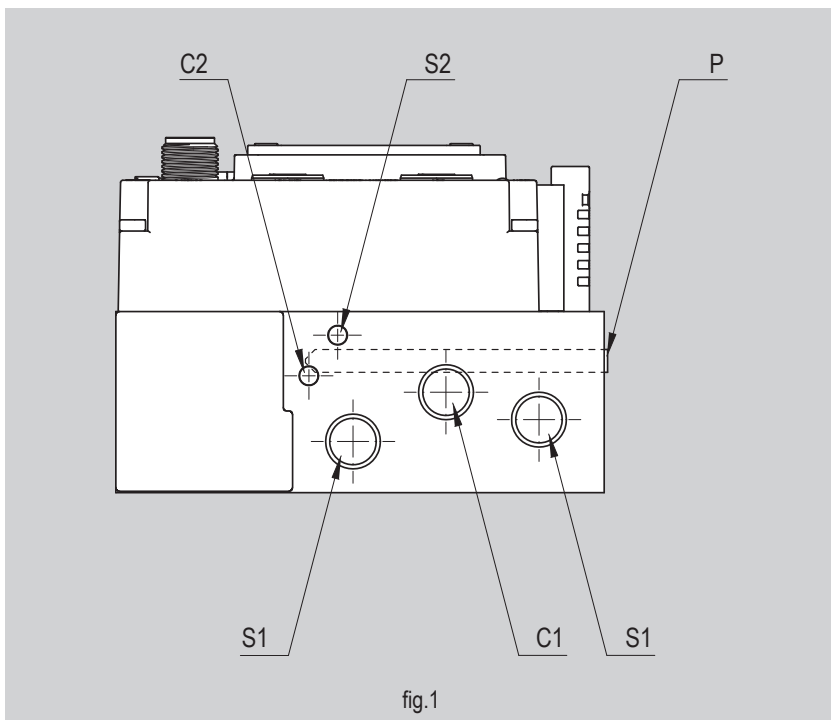
2 - VALVES

N.	Sequence type	Sequence	Description
1	Valve terminal features	14 Terminal size	Size 14 mm
2		07 Module type	Feeding/communication module IO-Link® up to 16 managed valves
3		09 Position number	9 positions on sub-base
4		E Piloting type	External piloting
5		B Valve type	Sub-base valve
6	Sequence at set positions (valves) The desired valves has to be inserted in the code key as per the sequence indicated in the table1: first 5/3, then 5/2 sol./sol., then 2-3/2, finally 5/2 sol./spring.	Elements number 1 C Valve function	(Table1) ● C = 5/3 closed centres ○ E = 5/3 open centres ○ P = 5/3 pressurized centres ● D = 5/2 solenoid/solenoid ○ F = 2-3/2 N.C. ○ G = 2-3/2 N.O. ○ H = 2-3/2 N.C.-N.O. ● S = 5/2 solenoid/spring
7		Elements number 2 D Valve function	1 valve 5/3 closed centres
8		Elements number 4 S Valve function	2 valves 5/2 solenoid/solenoid 4 valves 5/2 solenoid/spring
9	Positionable sequence (plugs)	Elements type Elements number 2 T 04 09 1st element position 2nd element position	T = Plug A = Feeding diaphragm R = Exhaust diaphragm 2 plugs in position 04 and 09
10	Positionable sequence (diaphragms)	Elements type A R 0405 Elements position	Diaphragms for separated feeding and exhaust positioned between 04 and 05

Valve terminals series A5

Selection, configuration and code key

Piloting configuration



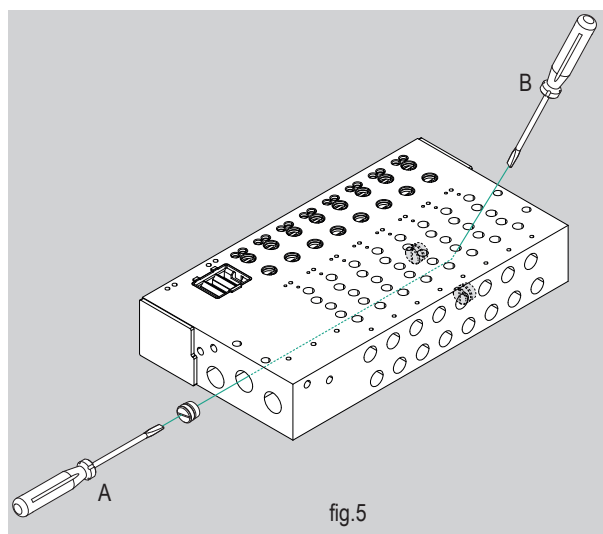
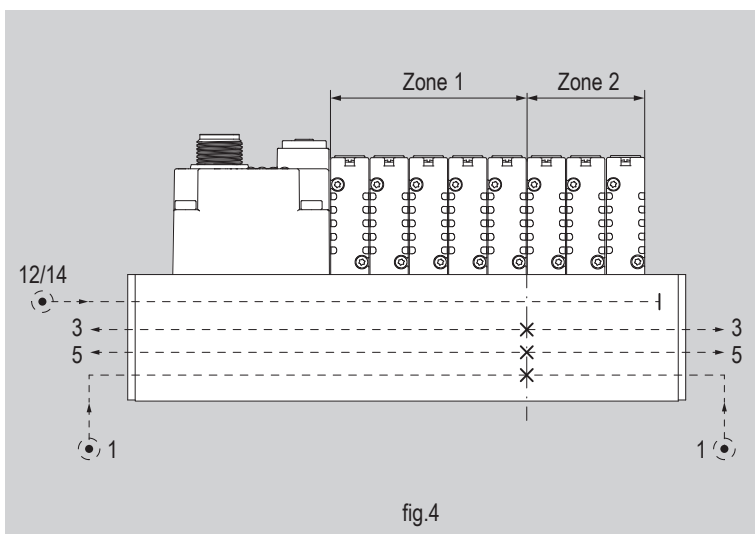
The A5 series valve terminals can be supplied with internal or external piloting. However, it's always possible to change the piloting from internal to external and vice versa by replacing the relevant component in the switching connection P (fig.1).

To switch internal piloting into external piloting, replace the plug type A0090505 (fig.2) with the screw type A5BAV (fig.3) to be ordered separately, see page 2.75.20. For feeding use the connection C2, for the exhaust use connection S2 (fig.1).

To switch external piloting into internal piloting, replace the screw type A5BAV (fig.3) with the plug type A0090505 (fig.2) to be ordered separately, see page 2.75.20. Feeding will be from the main connection C1 (fig.1).

The connections no longer used can be blanked with plugs, to be ordered separately, see page 2.75.21

Configuration of separated feeding and exhausts



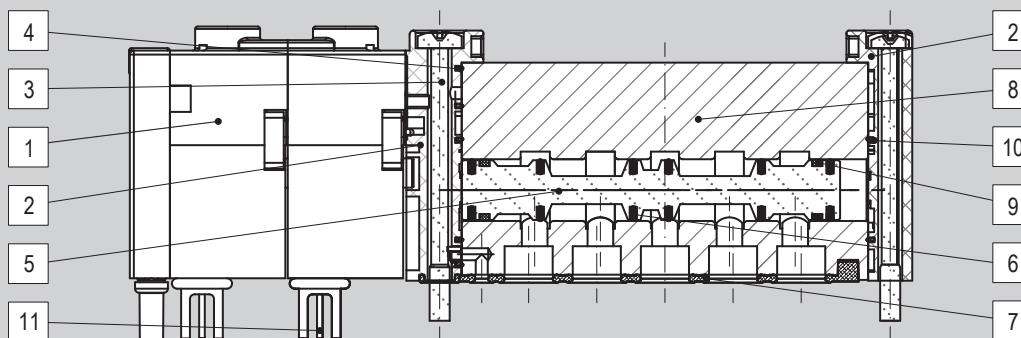
If needed is possible to separate the feedings and/or the exhausts (see fig.4). For this configuration, use the blanking diaphragms type A5BMC, to be ordered separately, see page 2.75.20

Mounting: the diaphragm will have to be mounted in the sub-base through the feeding or exhaust connection, inserting it with the slotted screwdriver "A" until reaching the desired position, identified thanks to the screwdriver "B", then locking it by rotating the screwdriver "A", as shown in the example in fig.5.

Valve terminals series A5
Standard materials

Solenoid valves standard materials

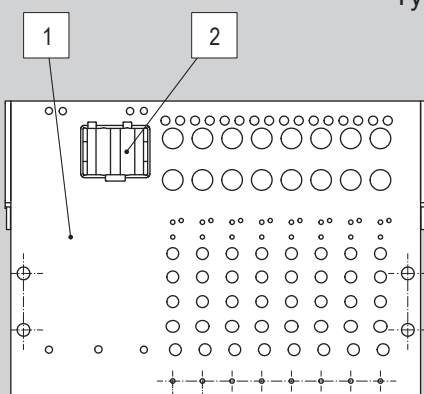
Type: A5V..



Position	Description	Material
1	Electric pilot	Technopolymer
2	Cover	Aluminum
3	Mounting screws	Steel
4	Cover seal	NBR
5	Spool	Aluminum
6	O-ring	NBR
7	Seal	NBR
8	Body	Aluminum
9	O-ring	NBR
10	Cover seal	NBR
11	Electrical contacts	Copper alloy

Sub-bases standard materials

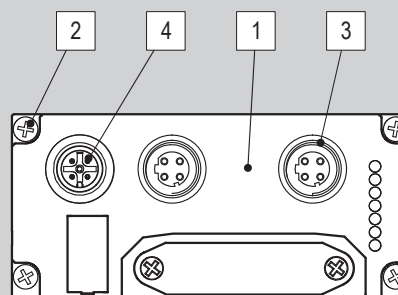
Type: A5B..



Position	Description	Material
1	Body	Anodized aluminium
2	PCB	Coppered vetronite
-	Electrical contacts	Copper alloy

Interfaces standard materials

Type: A50..

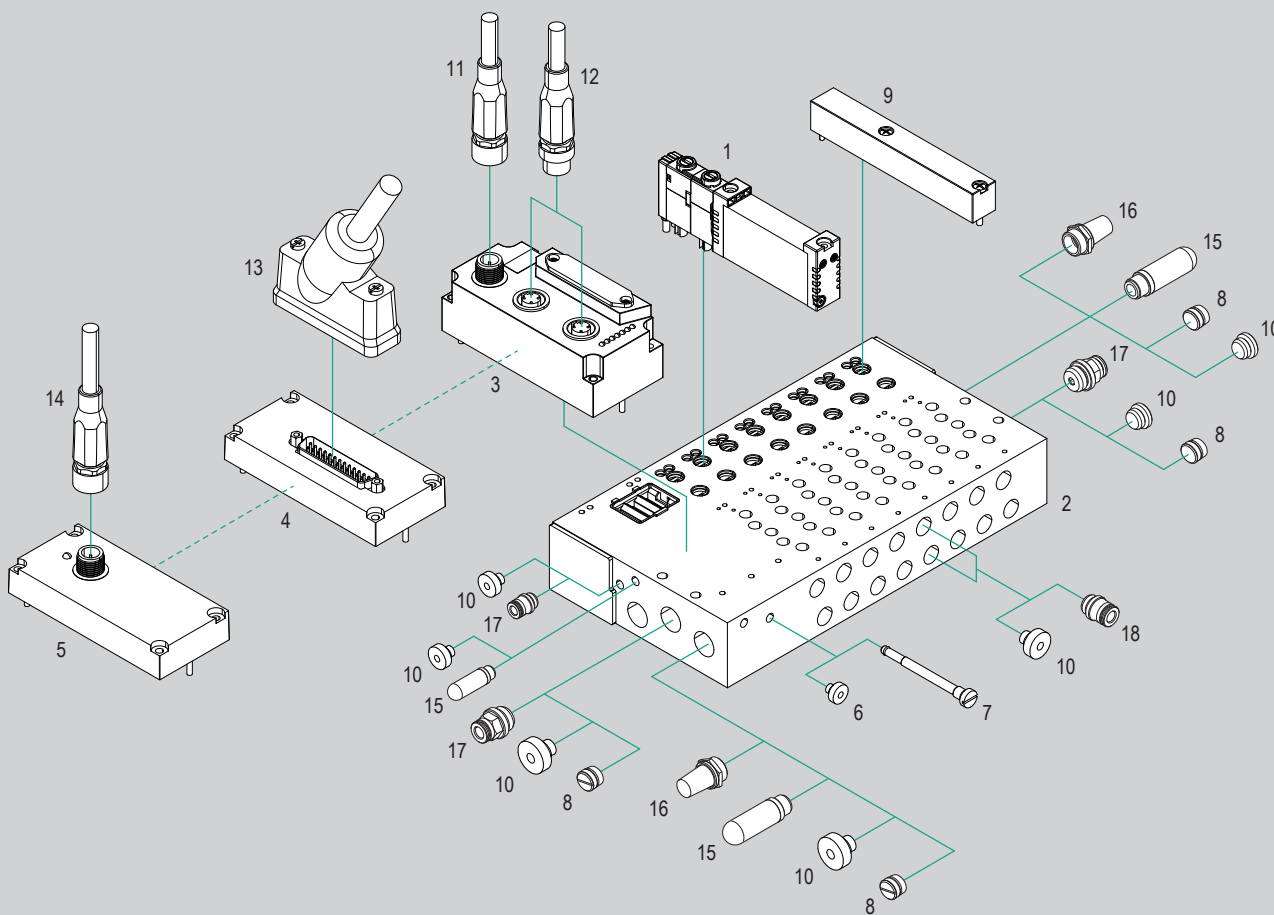


Position	Description	Material
1	Body	Polymer
2	Mounting screws	Steel
3	Connectors	Brass
4	Electrical contacts	Copper alloy

Valve terminals series A5

Individual components & accessories matching

Individual components and accessories



2 - VALVES

N.	Item	Description	Matching with valve terminals			Code key and data sheet page
			A5 Fieldbus	A5 Sub-D	A5 IO-Link®	
1	A5V10..	Solenoid valve 10 mm	●	●	●	2.71.10
	A5V14..	Solenoid valve 14 mm	●	●	●	2.71.20
2	A5B10..	Multiple sub-base 10mm with set position and integrated PCB	●	●	●	2.72.10
	A5B14..	Multiple sub-base 14mm with set position and integrated PCB	●	●	●	2.72.20
3	A501 ÷ A504	Fieldbus interface communication module	●	-	-	2.73.10
4	A505	Multipole Sub-D interface communication module	-	●	-	2.73.20
5	A506 ÷ A508	IO-Link interface communication module	-	-	●	2.73.30
6	A0090505	Plug for internal piloting	●	●	●	2.75.20
7	A5BAV	Screw for external piloting	●	●	●	
8	A5BMC..	Blanking diaphragm for separating feedings or exhausts	●	●	●	2.75.21
9	A5BTC..	Blanking plug for unused positions	●	●	●	
10	A009..	Blanking plug for feedings, exhausts and connections	●	●	●	2.75.21
11	CAVFBFD..	Power supply cable for Fieldbus interface	●	-	-	2.75.40
12	CAVFBM..	Connection cable for Fieldbus interface	●	-	-	2.75.40
13	CAVSDFD..	Connection cable Sub-D 25 poles	-	●	-	2.75.42
14	CAVILFD..	Connection cable IO-Link	-	-	●	2.75.43
15	AS..	Plastic silencers	●	●	●	4.151.10
	SP..		●	●	●	4.151.20
16	A..	Sintered silencers	●	●	●	4.153.10
17	R..	Push-in fittings for air supply or piloting	●	●	●	4.2.1
18	RT..	Push-in fittings for outlets (sub-bases 10 mm)	●	●	●	4.7.4
	R..	Push-in fittings for outlets (sub-bases 14 mm)	●	●	●	4.3.5

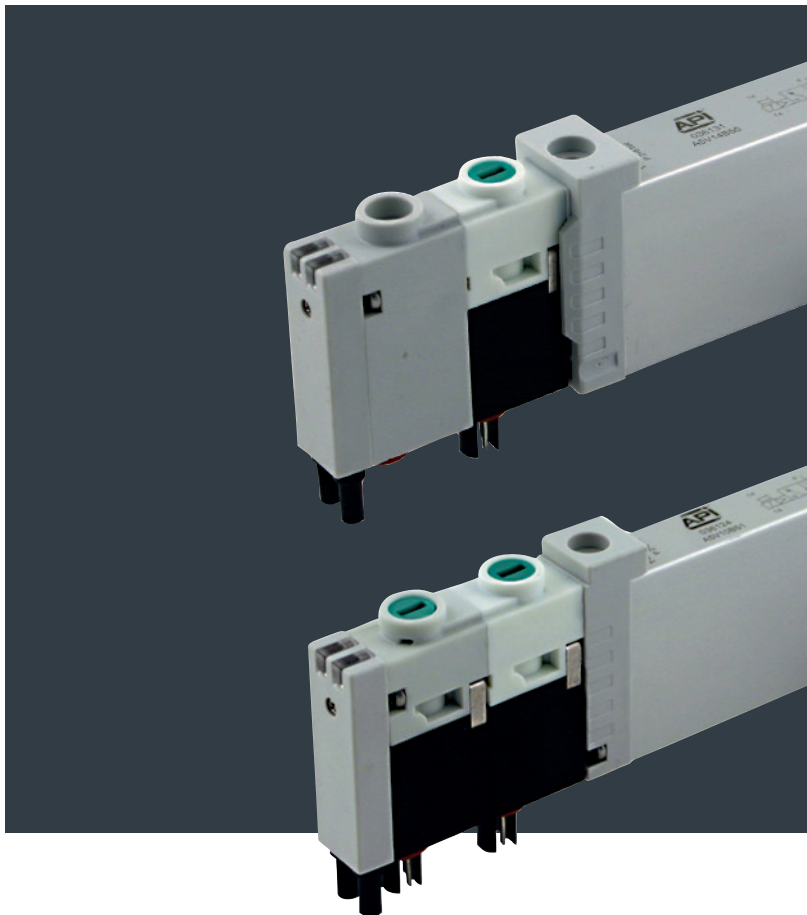
Key

● matching accessory; - not matching accessory

2.70.8

SOLENOID VALVES

for valve terminals series A5



Solenoid valves for valve terminals series A5

Features and certifications

Sub-base solenoid valves for valve terminals series A5, available in sizes 10 mm and 14 mm, in different functions (5/2, 5/3 and 2-3/2). Compatible with respective size sub-bases (see from page 2.72.1). Solenoid valves are assembled in a simple and practical way. Each valve, even if in an intermediate position, can be easily replaced. Equipped with low consumption coils (1,2W), with 360° view LED and with "push" and bistable manual override. Supplied as standard in compliance to Reach and RoHS directives.

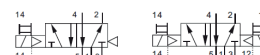


Solenoid valves type A5V10.. 5/2

from page 2.71.10



Solenoid valves size 10 mm with sub-base connections for valve terminals series A5, available in functions 5/2 solenoid/spring and 5/2 solenoid/solenoid. Easy and practical mounting, low consumption coils (1,2W), 360° view LED and equipped with "push" and bistable manual override. Compatible with sub-bases size 10 mm and with all the communication interfaces.

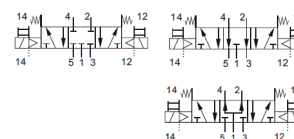


Solenoid valves type A5V10.. 5/3

from page 2.71.10



Solenoid valves size 10 mm with sub-base connections for valve terminals series A5, available in functions 5/3 closed centres, 5/3 open centres and 5/3 pressurized centres. Easy and practical mounting, low consumption coils (1,2W), 360° view LED and equipped with "push" and bistable manual override. Compatible with sub-bases size 10 mm and with all the communication interfaces.

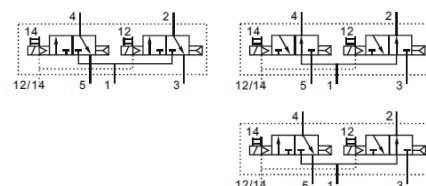


Solenoid valves type A5V10.. 2-3/2

from page 2.71.10



Solenoid valves size 10 mm with sub-base connections for valve terminals series A5, available in functions 2-3/2 normally closed-normally closed, 2-3/2 normally open-normally open and 2-3/2 normally closed-normally open. Easy and practical mounting, low consumption coils (1,2W), 360° view LED and equipped with "push" and bistable manual override. Compatible with sub-bases size 10 mm and with all the communication interfaces.

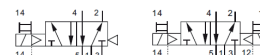


Solenoid valves type A5V14.. 5/2

from page 2.71.20



Solenoid valves size 14 mm with sub-base connections for valve terminals series A5, available in functions 5/2 solenoid/spring and 5/2 solenoid/solenoid. Easy and practical mounting, low consumption coils (1,2W), 360° view LED and equipped with "push" and bistable manual override. Compatible with sub-bases size 14 mm and with all the communication interfaces.

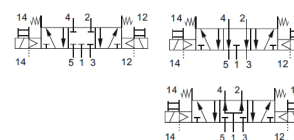


Solenoid valves type A5V14.. 5/3

da pag. 2.71.20



Solenoid valves size 14 mm with sub-base connections for valve terminals series A5, available in functions 5/3 closed centres, 5/3 open centres and 5/3 pressurized centres. Easy and practical mounting, low consumption coils (1,2W), 360° view LED and equipped with "push" and bistable manual override. Compatible with sub-bases size 14 mm and with all the communication interfaces.

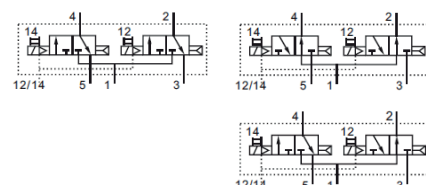


Solenoid valves type A5V14.. 2-3/2

from page 2.71.20



Solenoid valves size 14 mm with sub-base connections for valve terminals series A5, available in functions 2-3/2 normally closed-normally closed, 2-3/2 normally open-normally open and 2-3/2 normally closed-normally open. Easy and practical mounting, low consumption coils (1,2W), 360° view LED and equipped with "push" and bistable manual override. Compatible with sub-bases size 14 mm and with all the communication interfaces.

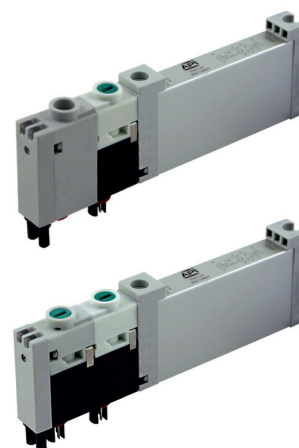


Solenoid valves for valve terminals series A5

Type A5V10, size 10 mm

Main features

Version	Code	Item	Symbol
Solenoid valve 10 mm 5/2 solenoid/spring	036123	A5V10B50	
Solenoid valve 10 mm 5/2 solenoid/solenoid	036124	A5V10B51	
Solenoid valve 10 mm 5/3 closed centres	036125	A5V10B70	
Solenoid valve 10 mm 5/3 open centres	036126	A5V10B71	
Solenoid valve 10 mm 5/3 pressurized centres	036127	A5V10B72	
Solenoid valve 10 mm 2-3/2 Normally Closed-Normally Open	036120	A5V10B33	
Solenoid valve 10 mm 2-3/2 Normally Closed-Normally Closed	036121	A5V10B34	
Solenoid valve 10 mm 2-3/2 Normally Open-Normally Open	036122	A5V10B35	



Technical data

Version	5/2		5/3			2-3/2		
	A5V10B50	A5V10B51	A5V10B70	A5V10B71	A5V10B72	A5V10B33	A5V10B34	A5V10B35
Code	036123	036124	036125	036126	036127	036120	036121	036122
Function	5/2 sol./spring	5/2 sol./sol.	5/3 C.C.	5/3 O.C.	5/3 P.C.	2-3/2 N.C.-N.O.	2-3/2 N.C.-N.C.	2-3/2 N.O.-N.O.
Fluid	Compressed air with or without lubrication. Lubrication, if started, must be continued.							
Size	10 mm							
Temperature range	-5°C ÷ +60°C							
Pressure range	2 ÷ 8 bar		3 ÷ 8 bar			2,5 ÷ 8 bar		
Flow at 6 bar with ΔP 1bar	300 l/min							
Voltage	24 VDC							
Electrical consumption	1,2 W							
Duty cycle	100% ED							
Manual override	"Push" and bistable							
Control indicator	LED							
Sub-base matching	A5B10..							

Notes

For possible configurations of valve terminals see from page 2.70.3;

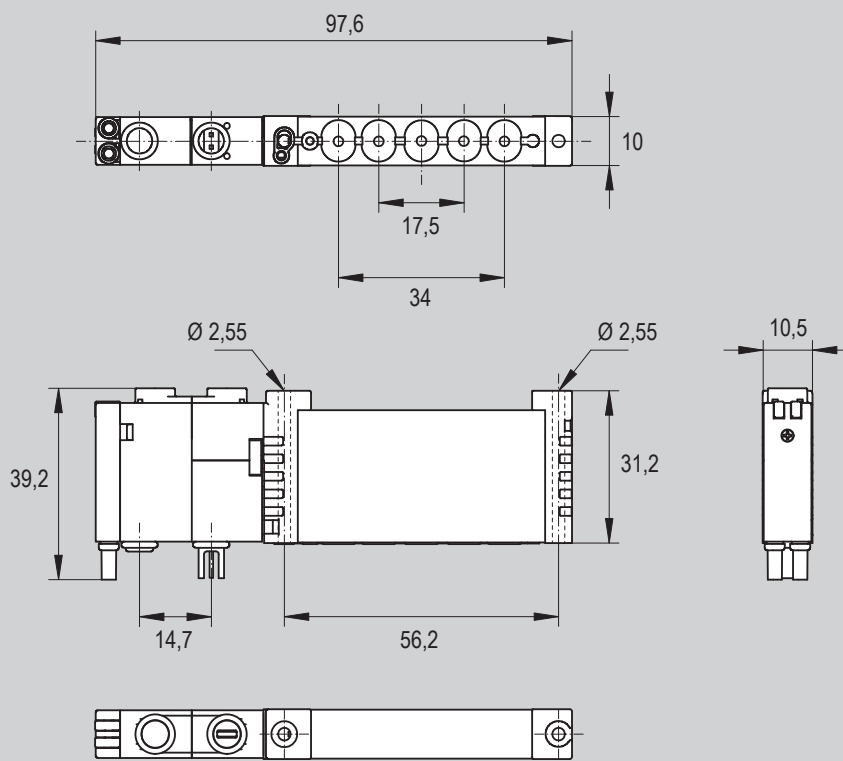
(1) For 10 mm sub-bases features see from page 2.72.20

Solenoid valves for valve terminals series A5

Type A5V10, size 10 mm

Standard dimensions

Type: **A5V10B50**



2 - VALVES

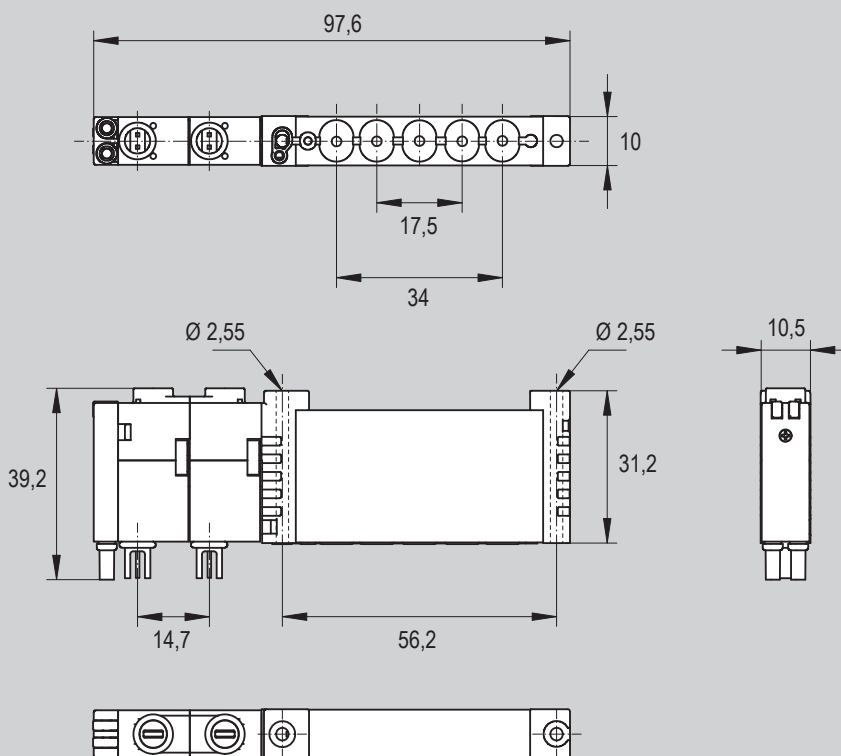
Version	Symbol	Code	Item
10 mm 5/2 solenoid/spring		036123	A5V10B50

Solenoid valves for valve terminals series A5

Type A5V10, size 10 mm

Standard dimensions

Type: **A5V10B51**
A5V10B70
A5V10B71
A5V10B72
A5V10B33
A5V10B34
A5V10B35



Version	Symbol	Code	Item
10 mm 5/2 solenoid/solenoid		036124	A5V10B51
10 mm 5/3 closed centres		036125	A5V10B70
10 mm 5/3 open centres		036126	A5V10B71
10 mm 5/3 pressurized centres		036127	A5V10B72
10 mm 2-3/2 normally closed-normally open		036120	A5V10B33
10 mm 2-3/2 normally closed-normally closed		036121	A5V10B34
10 mm 2-3/2 normally open-normally open		036122	A5V10B35

2 - VALVES

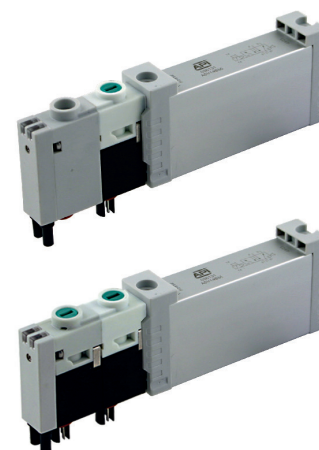
Solenoid valves for valve terminals series A5

Type A5V14, size 14 mm

2 - VALVES

Main features

Version	Code	Item	Symbol
Solenoid valve 14 mm 5/2 solenoid/spring	036131	A5V14B50	
Solenoid valve 14 mm 5/2 solenoid/solenoid	036132	A5V14B51	
Solenoid valve 14 mm 5/3 closed centres	036133	A5V14B70	
Solenoid valve 14 mm 5/3 open centres	036134	A5V14B71	
Solenoid valve 14 mm 5/3 pressurized centres	036135	A5V14B72	
Solenoid valve 14 mm 2-3/2 Normally Closed-Normally Open	036128	A5V14B33	
Solenoid valve 14 mm 2-3/2 Normally Closed-Normally Closed	036129	A5V14B34	
Solenoid valve 14 mm 2-3/2 Normally Open-Normally Open	036130	A5V14B35	



Technical data

Version	5/2		5/3			2-3/2		
	A5V14B50	A5V14B51	A5V14B70	A5V14B71	A5V14B72	A5V14B33	A5V14B34	A5V14B35
Code	036131	036132	036133	036134	036135	036128	036129	036130
Function	5/2 sol./spring	5/2 sol./sol.	5/3 C.C.	5/3 O.C.	5/3 P.C.	2-3/2 N.C.-N.O.	2-3/2 N.C.-N.C.	2-3/2 N.O.-N.O.
Fluid	Compressed air with or without lubrication. Lubrication, if started, must be continued.							
Size	14 mm							
Temperature range	-5°C ÷ +60°C							
Pressure range	2 ÷ 8 bar		3 ÷ 8 bar			2,5 ÷ 8 bar		
Flow at 6 bar with ΔP 1bar	600 l/min							
Voltage	24 VDC							
Electrical consumption	1,2 W							
Duty cycle	100% ED							
Manual override	"Push" and bistable							
Control indicator	LED							
Sub-base matching	A5B14..							

Notes

For possible configurations of valve terminals see from page 2.70.3;

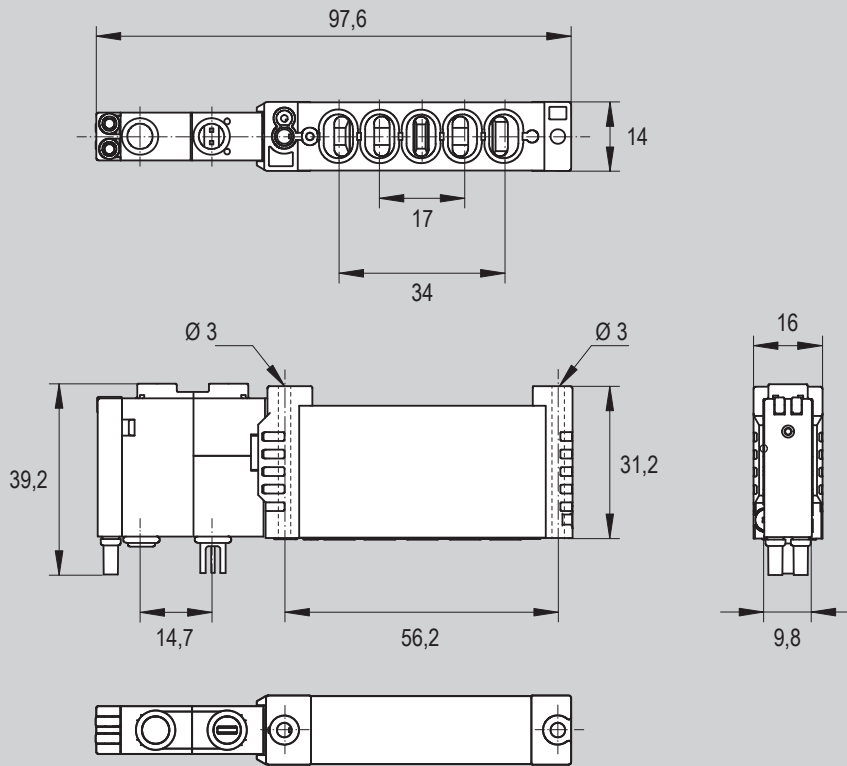
(1) For 14 mm sub-bases features see from page 2.72.40

Solenoid valves for valve terminals series A5

Type A5V14, size 14 mm

Standard dimensions

Type: **A5V14B52**



2 - VALVES

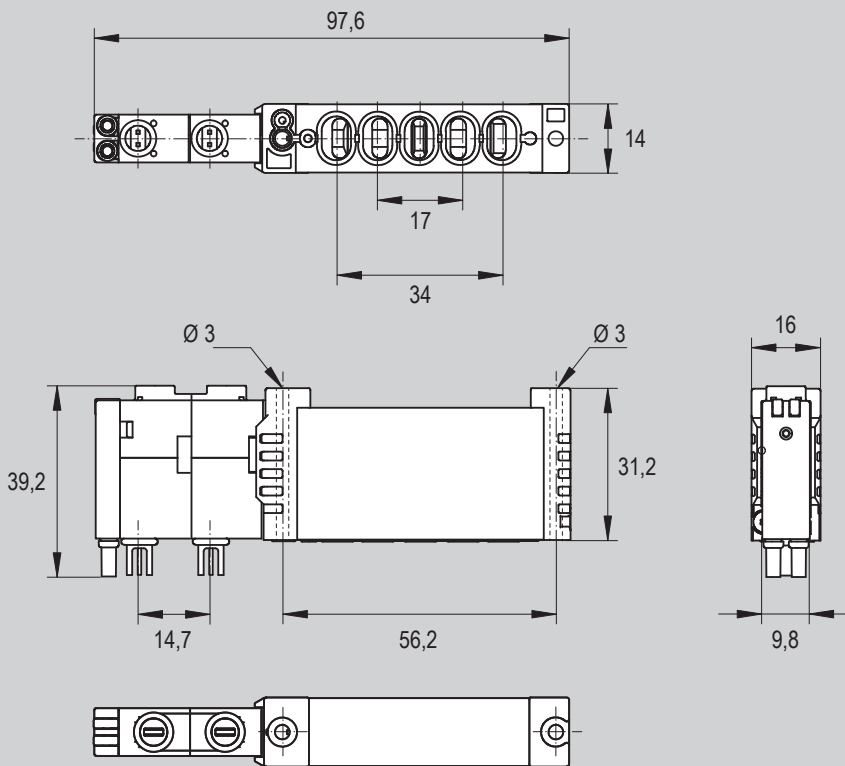
Version	Symbol	Code	Item
14 mm 5/2 solenoid/spring		036131	A5V14B50

Solenoid valves for valve terminals series A5

Type A5V14, size 14 mm

Standard dimensions

Type: **A5V14B51**
A5V14B70
A5V14B71
A5V14B72
A5V14B33
A5V14B34
A5V14B35



2 - VALVES

Version	Symbol	Code	Item
14 mm 5/2 solenoid/solenoid		036132	A5V14B51
14 mm 5/3 closed centres		036133	A5V14B70
14 mm 5/3 open centres		036134	A5V14B71
14 mm 5/3 pressurized centres		036135	A5V14B72
14 mm 2-3/2 normally closed-normally open		036128	A5V14B33
14 mm 2-3/2 normally closed-normally closed		036129	A5V14B34
14 mm 2-3/2 normally open-normally open		036130	A5V14B35

SUB-BASES

for valve terminals series A5



Sub-bases for valve terminals series A5

Features and certifications

Multiple sub-bases with integrated PCB for valve terminals series A5, available in sizes 10 mm and 14 mm, from 4 to 24 positions. Both sizes are compatible with all the communication interfaces (see from page 2.73.1). About solenoid valves, the 10 mm and 14 mm size sub-bases are compatible with the respective valve sizes (see from page 2.71.1).

Supplied as standard in compliance to Reach and RoHS directives.

Accessories such as screws for external piloting, plugs for unused positions, blanking diaphragm for separating feedings or exhausts to be ordered separately (see from page 2.75.1).



Sub-bases type A5B10..

from page 2.72.10



Sub-bases for valve terminals series A5 size 10 mm, available with set positions from 4 to 24 (4, 5, 6, 7, 8, 9, 10, 12, 14, 16, 20 or 24 stations).

Sub-bases series A5B are equipped with integrated PCB, are compatible with all available interface modules (Fieldbus, Multipolar Sub-D and IO-Link®) and with solenoid valves size 10 mm.

Accessories as screws for external piloting, plugs for unused positions, blanking diaphragm for separating feedings or exhausts to be ordered separately.

Sub-bases type A5B14..

from page 2.72.20



Sub-bases for valve terminals series A5 size 14 mm, available with set positions from 4 to 24 (4, 5, 6, 7, 8, 9, 10, 12, 14, 16, 20 or 24 stations).

Sub-bases series A5B are equipped with integrated PCB, are compatible with all available interface modules (Fieldbus, Multipolar Sub-D and IO-Link®) and with solenoid valves size 14 mm.

Accessories as screws for external piloting, plugs for unused positions, blanking diaphragm for separating feedings or exhausts to be ordered separately.

Sub-bases for valve terminals series A5

Type A5B10, size 10 mm



Main features

Version	Code	Item
Sub-base 10 mm, 4 positions, internal piloting	036136	A5B10I04
Sub-base 10 mm, 5 positions, internal piloting	036137	A5B10I05
Sub-base 10 mm, 6 positions, internal piloting	036138	A5B10I06
Sub-base 10 mm, 7 positions, internal piloting	036139	A5B10I07
Sub-base 10 mm, 8 positions, internal piloting	036140	A5B10I08
Sub-base 10 mm, 9 positions, internal piloting	036141	A5B10I09
Sub-base 10 mm, 10 positions, internal piloting	036142	A5B10I10
Sub-base 10 mm, 12 positions, internal piloting	036143	A5B10I12
Sub-base 10 mm, 14 positions, internal piloting	036200	A5B10I14
Sub-base 10 mm, 16 positions, internal piloting	036144	A5B10I16
Sub-base 10 mm, 20 positions, internal piloting	036145	A5B10I20
Sub-base 10 mm, 24 positions, internal piloting	036146	A5B10I24
Sub-base 10 mm, 4 positions, external piloting	036147	A5B10E04
Sub-base 10 mm, 5 positions, external piloting	036148	A5B10E05
Sub-base 10 mm, 6 positions, external piloting	036149	A5B10E06
Sub-base 10 mm, 7 positions, external piloting	036150	A5B10E07
Sub-base 10 mm, 8 positions, external piloting	036151	A5B10E08
Sub-base 10 mm, 9 positions, external piloting	036152	A5B10E09
Sub-base 10 mm, 10 positions, external piloting	036153	A5B10E10
Sub-base 10 mm, 12 positions, external piloting	036154	A5B10E12
Sub-base 10 mm, 14 positions, external piloting	036201	A5B10E14
Sub-base 10 mm, 16 positions, external piloting	036155	A5B10E16
Sub-base 10 mm, 20 positions, external piloting	036156	A5B10E20
Sub-base 10 mm, 24 positions, external piloting	036157	A5B10E24

Technical data

Item	A5B10..04	A5B10..05	A5B1006	A5B10..07	A5B10..08	A5B10..09	A5B10..10	A5B10..12	A5B10..14	A5B10..16	A5B10..20	A5B10..24
Size	10 mm											
Positions	4	5	6	7	8	9	10	12	14	16	20	24
Fluid	Compressed air with or without lubrication. Lubrication, if started, must be continued.											
Pressure range	Depending on the configuration, see from page 2.70.3											
Temperature range	-5°C ÷ +60°C											
Flow at 6 bar with ΔP 1bar	300 l/min											
Piloting	Internal or external (see page 2.70.6; for item and code please see the table above)											
Sub-base air supply	G 1/4"											
Sub-base exhausts	G 1/4"											
Connection for external piloting ⁽¹⁾	M5											
Sub-base outlets	M7											
Solenoid valves matching ⁽²⁾	A5V10											
Internal data transmission	With integrated PCB											
Materials	Anodized aluminium											

Notes

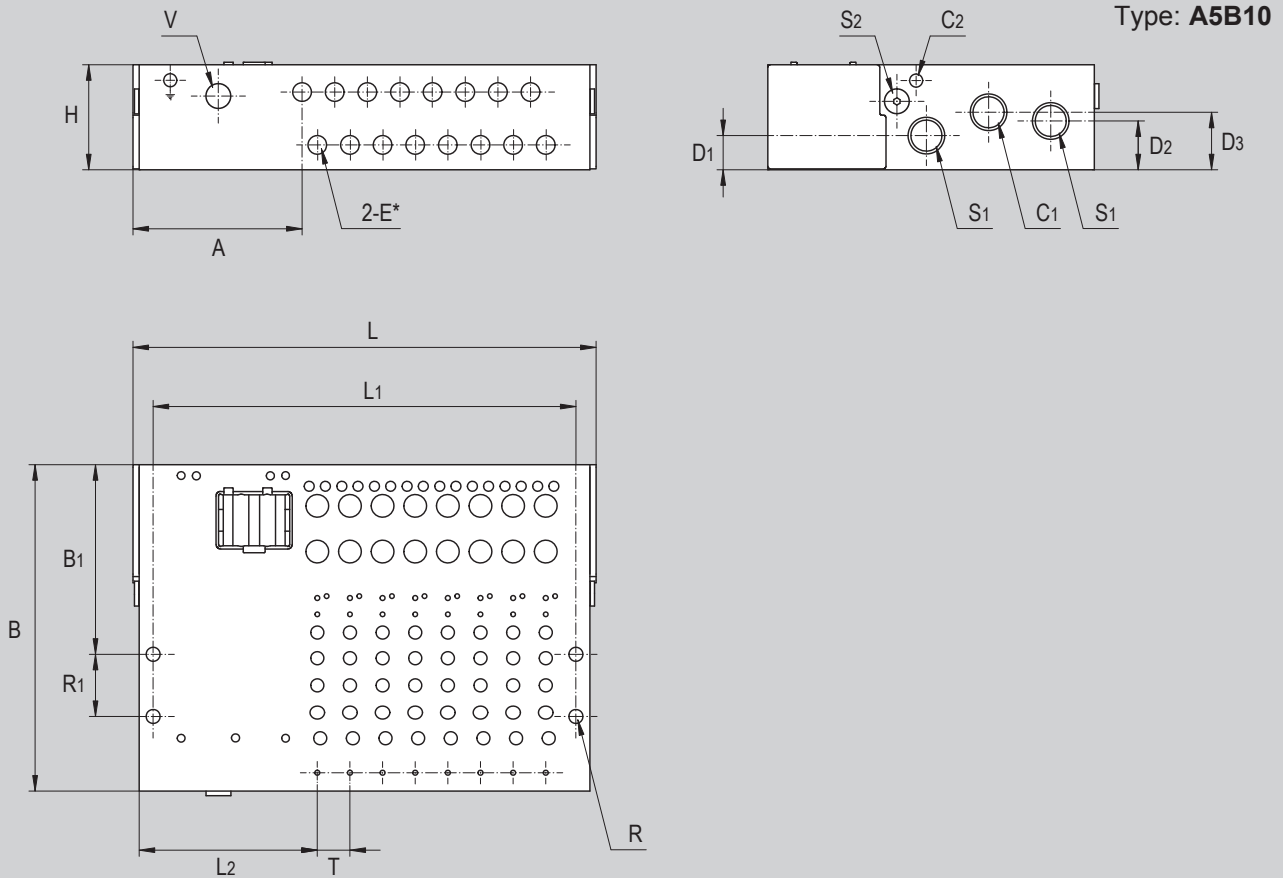
For valve terminals configurations, please see from page 2.70.3;
 For interfaces see from page 2.73.1
 For accessories (piloting plugs and screws, plugs for unused positions, diaphragm for separated feeding or exhausts) to be ordered separately, see from page 2.75.20
 For fittings, to be ordered separately, see from page 4.3.1; For exhaust silencers, to be ordered separately, see from page 4.150.1
 (1) In case of configuration with external piloting only.
 (2) For 10 mm solenoid valves features see from page 2.71.20

2 - VALVES

Sub-bases for valve terminals series A5

Type A5B10, size 10 mm

Standard dimensions



2 - VALVES

Item	Code	Size	Pos.	A	B	B1	C1	C2	D1	D2	D3	E*	H	L	L1	L2	ØR	R1	S1	S2	T	V
A5B10I04	036136	10 mm	4	54,3	105	61	G1/4"	M5	11	15,7	18,5	M7	33,8	107	94	57,3	4,5	20	G1/4"	M5	10,5	M5
A5B10I05	036137	10 mm	5	54,3	105	61	G1/4"	M5	11	15,7	18,5	M7	33,8	117,5	104,5	57,3	4,5	20	G1/4"	M5	10,5	M5
A5B10I06	036138	10 mm	6	54,3	105	61	G1/4"	M5	11	15,7	18,5	M7	33,8	128	115	57,3	4,5	20	G1/4"	M5	10,5	M5
A5B10I07	036139	10 mm	7	54,3	105	61	G1/4"	M5	11	15,7	18,5	M7	33,8	138,5	125,5	57,3	4,5	20	G1/4"	M5	10,5	M5
A5B10I08	036140	10 mm	8	54,3	105	61	G1/4"	M5	11	15,7	18,5	M7	33,8	149	136	57,3	4,5	20	G1/4"	M5	10,5	M5
A5B10I09	036141	10 mm	9	54,3	105	61	G1/4"	M5	11	15,7	18,5	M7	33,8	159,5	146,5	57,3	4,5	20	G1/4"	M5	10,5	M5
A5B10I10	036142	10 mm	10	54,3	105	61	G1/4"	M5	11	15,7	18,5	M7	33,8	170	157	57,3	4,5	20	G1/4"	M5	10,5	M5
A5B10I12	036143	10 mm	12	54,3	105	61	G1/4"	M5	11	15,7	18,5	M7	33,8	191	178	57,3	4,5	20	G1/4"	M5	10,5	M5
A5B10I14	036200	10 mm	14	54,3	105	61	G1/4"	M5	11	15,7	18,5	M7	33,8	212	199	57,3	4,5	20	G1/4"	M5	10,5	M5
A5B10I16	036144	10 mm	16	54,3	105	61	G1/4"	M5	11	15,7	18,5	M7	33,8	233	222	57,3	4,5	20	G1/4"	M5	10,5	M5
A5B10I20	036145	10 mm	20	54,3	105	61	G1/4"	M5	11	15,7	18,5	M7	33,8	275	262	57,3	4,5	20	G1/4"	M5	10,5	M5
A5B10I24	036146	10 mm	24	54,3	105	61	G1/4"	M5	11	15,7	18,5	M7	33,8	317	304	57,3	4,5	20	G1/4"	M5	10,5	M5
A5B10E04	036147	10 mm	4	54,3	105	61	G1/4"	M5	11	15,7	18,5	M7	33,8	107	94	57,3	4,5	20	G1/4"	M5	10,5	M5
A5B10E05	036148	10 mm	5	54,3	105	61	G1/4"	M5	11	15,7	18,5	M7	33,8	117,5	104,5	57,3	4,5	20	G1/4"	M5	10,5	M5
A5B10E06	036149	10 mm	6	54,3	105	61	G1/4"	M5	11	15,7	18,5	M7	33,8	128	115	57,3	4,5	20	G1/4"	M5	10,5	M5
A5B10E07	036150	10 mm	7	54,3	105	61	G1/4"	M5	11	15,7	18,5	M7	33,8	138,5	125,5	57,3	4,5	20	G1/4"	M5	10,5	M5
A5B10E08	036151	10 mm	8	54,3	105	61	G1/4"	M5	11	15,7	18,5	M7	33,8	149	136	57,3	4,5	20	G1/4"	M5	10,5	M5
A5B10E09	036152	10 mm	9	54,3	105	61	G1/4"	M5	11	15,7	18,5	M7	33,8	159,5	146,5	57,3	4,5	20	G1/4"	M5	10,5	M5
A5B10E10	036153	10 mm	10	54,3	105	61	G1/4"	M5	11	15,7	18,5	M7	33,8	170	157	57,3	4,5	20	G1/4"	M5	10,5	M5
A5B10E12	036154	10 mm	12	54,3	105	61	G1/4"	M5	11	15,7	18,5	M7	33,8	191	178	57,3	4,5	20	G1/4"	M5	10,5	M5
A5B10E14	036201	10 mm	14	54,3	105	61	G1/4"	M5	11	15,7	18,5	M7	33,8	212	199	57,3	4,5	20	G1/4"	M5	10,5	M5
A5B10E16	036155	10 mm	16	54,3	105	61	G1/4"	M5	11	15,7	18,5	M7	33,8	233	222	57,3	4,5	20	G1/4"	M5	10,5	M5
A5B10E20	036156	10 mm	20	54,3	105	61	G1/4"	M5	11	15,7	18,5	M7	33,8	275	262	57,3	4,5	20	G1/4"	M5	10,5	M5
A5B10E24	036157	10 mm	24	54,3	105	61	G1/4"	M5	11	15,7	18,5	M7	33,8	317	304	57,3	4,5	20	G1/4"	M5	10,5	M5

Notes

Fittings, silencers and accessories to be ordered separately.

*There are 2 connections for each position on the sub-base, therefore the overall number of connections depends on the chosen configuration.

Sub-bases for valve terminals series A5

Type A5B14, size 14 mm

Main features

Version	Code	Item
Sub-base 14 mm, 4 positions, internal piloting	036158	A5B14I04
Sub-base 14 mm, 5 positions, internal piloting	036159	A5B14I05
Sub-base 14 mm, 6 positions, internal piloting	036160	A5B14I06
Sub-base 14 mm, 7 positions, internal piloting	036161	A5B14I07
Sub-base 14 mm, 8 positions, internal piloting	036162	A5B14I08
Sub-base 14 mm, 9 positions, internal piloting	036163	A5B14I09
Sub-base 14 mm, 10 positions, internal piloting	036164	A5B14I10
Sub-base 14 mm, 12 positions, internal piloting	036165	A5B14I12
Sub-base 14 mm, 14 positions, internal piloting	036202	A5B14I14
Sub-base 14 mm, 16 positions, internal piloting	036166	A5B14I16
Sub-base 14 mm, 20 positions, internal piloting	036167	A5B14I20
Sub-base 14 mm, 24 positions, internal piloting	036168	A5B14I24
Sub-base 14 mm, 4 positions, external piloting	036169	A5B14E04
Sub-base 14 mm, 5 positions, external piloting	036170	A5B14E05
Sub-base 14 mm, 6 positions, external piloting	036171	A5B14E06
Sub-base 14 mm, 7 positions, external piloting	036172	A5B14E07
Sub-base 14 mm, 8 positions, external piloting	036173	A5B14E08
Sub-base 14 mm, 9 positions, external piloting	036174	A5B14E09
Sub-base 14 mm, 10 positions, external piloting	036175	A5B14E10
Sub-base 14 mm, 12 positions, external piloting	036176	A5B14E12
Sub-base 14 mm, 14 positions, external piloting	036203	A5B14E14
Sub-base 14 mm, 16 positions, external piloting	036177	A5B14E16
Sub-base 14 mm, 20 positions, external piloting	036178	A5B14E20
Sub-base 14 mm, 24 positions, external piloting	036179	A5B14E24



2 - VALVES

Technical data

Item	A5B14..04	A5B14..05	A5B1406	A5B14..07	A5B14..08	A5B14..09	A5B14..10	A5B14..12	A5B14..14	A5B14..16	A5B14..20	A5B14..24
Size	14 mm											
Positions	4	5	6	7	8	9	10	12	14	16	20	24
Fluid	Compressed air with or without lubrication. Lubrication, if started, must be continued.											
Pressure range	Depending on the configuration, see from page 2.70.3											
Temperature range	-5°C ÷ +60°C											
Flow at 6 bar with ΔP 1bar	600 l/min											
Piloting	Internal or external (see page 2.70.6; for item and code please see the table above)											
Sub-base air supply	G 1/4"											
Sub-base exhausts	G 1/4"											
Connection for external piloting ⁽¹⁾	M5											
Sub-base outlets	G 1/8"											
Solenoid valves matching ⁽²⁾	A5V14											
Internal data transmission	With integrated PCB											
Materials	Anodized aluminium											

Notes

For valve terminals configurations, please see from page 2.70.3;

For interfaces see from page 2.73.1

For accessories (piloting plugs and screws, plugs for unused positions, diaphragm for separated feeding or exhausts) to be ordered separately, see from page 2.75.20

For fittings, to be ordered separately, see from page 4.3.1; For exhaust silencers, to be ordered separately, see from page 4.150.1

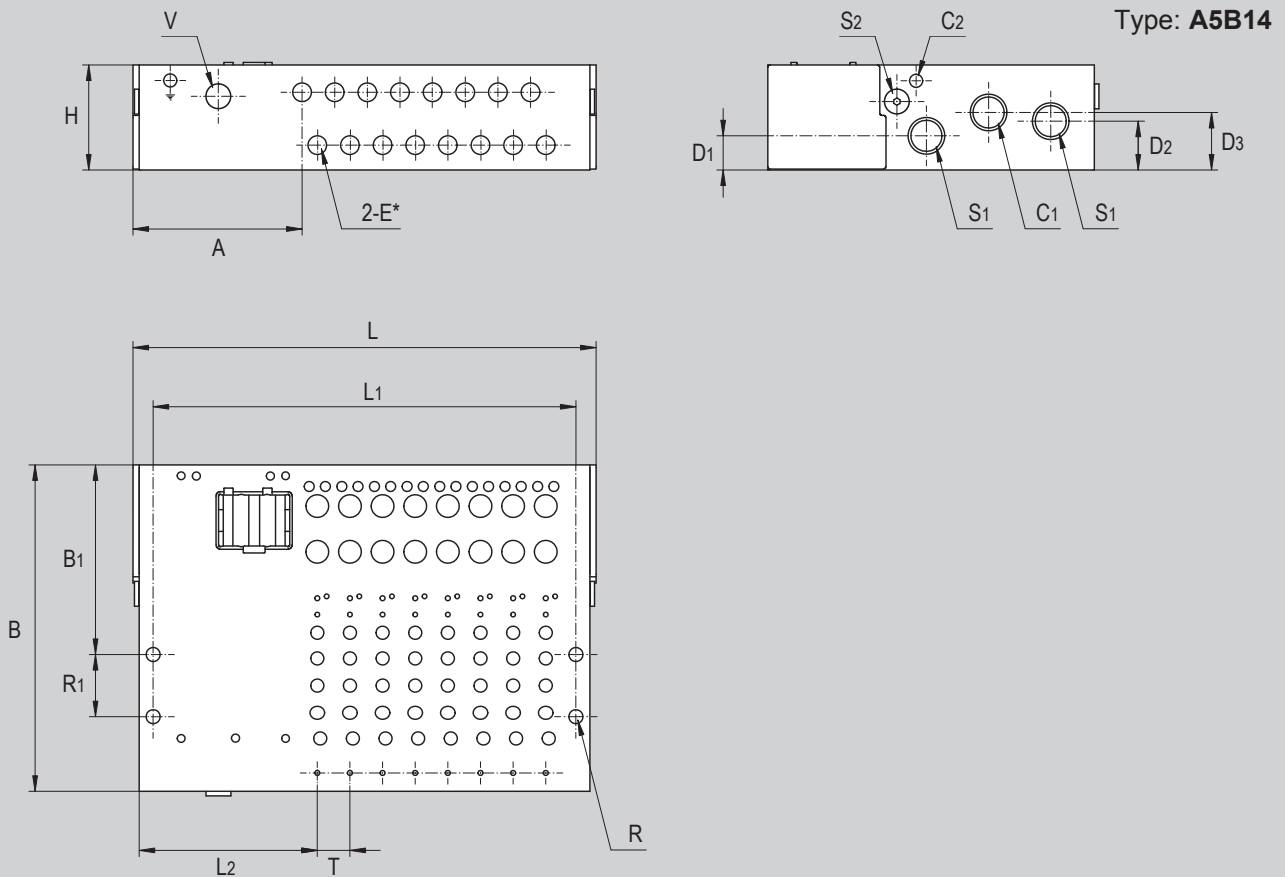
(1) In case of configuration with external piloting only.

(2) For 10 mm solenoid valves features see from page 2.71.20

Sub-bases for valve terminals series A5

Type A5B14, size 14 mm

Standard dimensions



2 - VALVES

Item	Code	Size	Pos.	A	B	B1	C1	C2	D1	D2	D3	E*	H	L	L1	L2	ØR	R1	S1	S2	T	V
A5B14I04	036158	14 mm	4	54,3	105	61	G1/4"	M5	11	15,7	18,5	G1/8"	33,8	132	118	60,5	4,5	20	G1/4"	M5	16	M5
A5B14I05	036159	14 mm	5	54,3	105	61	G1/4"	M5	11	15,7	18,5	G1/8"	33,8	148	134	60,5	4,5	20	G1/4"	M5	16	M5
A5B14I06	036160	14 mm	6	54,3	105	61	G1/4"	M5	11	15,7	18,5	G1/8"	33,8	164	150	60,5	4,5	20	G1/4"	M5	16	M5
A5B14I07	036161	14 mm	7	54,3	105	61	G1/4"	M5	11	15,7	18,5	G1/8"	33,8	180	166	60,5	4,5	20	G1/4"	M5	16	M5
A5B14I08	036162	14 mm	8	54,3	105	61	G1/4"	M5	11	15,7	18,5	G1/8"	33,8	196	182	60,5	4,5	20	G1/4"	M5	16	M5
A5B14I09	036163	14 mm	9	54,3	105	61	G1/4"	M5	11	15,7	18,5	G1/8"	33,8	212	198	60,5	4,5	20	G1/4"	M5	16	M5
A5B14I10	036164	14 mm	10	54,3	105	61	G1/4"	M5	11	15,7	18,5	G1/8"	33,8	228	214	60,5	4,5	20	G1/4"	M5	16	M5
A5B14I12	036165	14 mm	12	54,3	105	61	G1/4"	M5	11	15,7	18,5	G1/8"	33,8	260	246	60,5	4,5	20	G1/4"	M5	16	M5
A5B14I14	036202	14 mm	14	54,3	105	61	G1/4"	M5	11	15,7	18,5	G1/8"	33,8	292	278	60,5	4,5	20	G1/4"	M5	16	M5
A5B14I16	036166	14 mm	16	54,3	105	61	G1/4"	M5	11	15,7	18,5	G1/8"	33,8	324	310	60,5	4,5	20	G1/4"	M5	16	M5
A5B14I20	036167	14 mm	20	54,3	105	61	G1/4"	M5	11	15,7	18,5	G1/8"	33,8	388	374	60,5	4,5	20	G1/4"	M5	16	M5
A5B14I24	036168	14 mm	24	56	105	61	G1/4"	M5	11	15,7	18,5	G1/8"	33,8	452	438	60,5	4,5	20	G1/4"	M5	16	M5
A5B14E04	036169	14 mm	4	54,3	105	61	G1/4"	M5	11	15,7	18,5	G1/8"	33,8	132	118	60,5	4,5	20	G1/4"	M5	16	M5
A5B14E05	036170	14 mm	5	54,3	105	61	G1/4"	M5	11	15,7	18,5	G1/8"	33,8	148	134	60,5	4,5	20	G1/4"	M5	16	M5
A5B14E06	036171	14 mm	6	54,3	105	61	G1/4"	M5	11	15,7	18,5	G1/8"	33,8	164	150	60,5	4,5	20	G1/4"	M5	16	M5
A5B14E07	036172	14 mm	7	54,3	105	61	G1/4"	M5	11	15,7	18,5	G1/8"	33,8	180	166	60,5	4,5	20	G1/4"	M5	16	M5
A5B14E08	036173	14 mm	8	54,3	105	61	G1/4"	M5	11	15,7	18,5	G1/8"	33,8	196	182	60,5	4,5	20	G1/4"	M5	16	M5
A5B14E09	036174	14 mm	9	54,3	105	61	G1/4"	M5	11	15,7	18,5	G1/8"	33,8	212	198	60,5	4,5	20	G1/4"	M5	16	M5
A5B14E10	036175	14 mm	10	54,3	105	61	G1/4"	M5	11	15,7	18,5	G1/8"	33,8	228	214	60,5	4,5	20	G1/4"	M5	16	M5
A5B14E12	036176	14 mm	12	54,3	105	61	G1/4"	M5	11	15,7	18,5	G1/8"	33,8	260	246	60,5	4,5	20	G1/4"	M5	16	M5
A5B14E14	036203	14 mm	14	54,3	105	61	G1/4"	M5	11	15,7	18,5	G1/8"	33,8	292	278	60,5	4,5	20	G1/4"	M5	16	M5
A5B14E16	036177	14 mm	16	54,3	105	61	G1/4"	M5	11	15,7	18,5	G1/8"	33,8	324	310	60,5	4,5	20	G1/4"	M5	16	M5
A5B14E20	036178	14 mm	20	54,3	105	61	G1/4"	M5	11	15,7	18,5	G1/8"	33,8	388	375	60,5	4,5	20	G1/4"	M5	16	M5
A5B14E24	036179	14 mm	24	56	105	61	G1/4"	M5	11	15,7	18,5	G1/8"	33,8	452	438	60,5	4,5	20	G1/4"	M5	16	M5

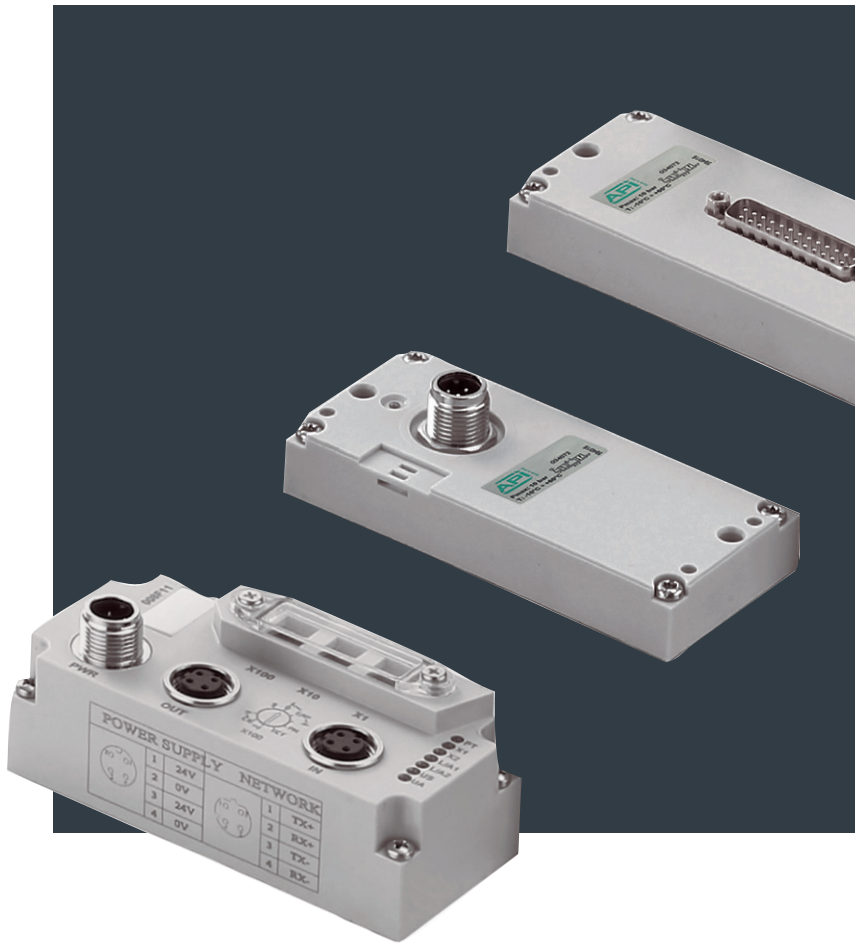
Notes

Fittings, silencers and accessories to be ordered separately.

*There are 2 connections for each position on the sub-base, therefore the overall number of connections depends on the chosen configuration.

INTERFACES

for valve terminals series A5



Interfaces for valve terminals series A5

Features and certifications

Communication modular interfaces for valve terminals series A5.

Three interface types available:

- Fieldbus interface, with possibility of choosing between communication protocols: ProfiNET®, EtherCAT®, EtherNET/IP® or CC-Link IE™Field Basic;
- Multipole Sub-D connection interface;
- IO-Link® interface, available in version 8, 16 or 24, depending on the maximum number of manageable valves.

All interfaces can be installed on any type of sub-base: both size 10 mm and 14 mm (see from page 2.72.1)

Connection cables to be ordered separately (see from page 2.75.40)

Supplied as standard in compliance to Reach and RoHS directives.



Fieldbus interface series A5

from page 2.70.20



Fieldbus communication interface configurable in four protocols: ProfiNET®, EtherCAT®, EtherNET/IP® and CC-Link IE™Field Basic.

This interface can manage valve terminals from 4 to 24 positions, which allow to control up to 48 cylinders using 2-3/2 solenoid valves.

Connection cables to be ordered separately.

Sub-D interface series A5

from page 2.70.40



Sub-D 25 pin multipole communication interface.

This interface can manage valve terminals from 4 to 24 position, with a maximum of 12 double electric pilot solenoid valves or 24 single electric pilot solenoid valves.

Connection cables to be ordered separately.

IO-Link® interface series A5

from page 2.70.60



IO-Link® communication interface available in three versions, 8, 16 and 24, depending on the maximum number of manageable valves.

This interface, in version IO-Link® 8, can manage valve terminals from 4 to 8 position, which allows to control up to 16 cylinders using 2-3/2 solenoid valves; in version IO-Link® 16 this module can manage valve terminals from 4 to 16, which allows to control up to 32 cylinders using 2-3/2 solenoid valves; interface IO-Link® 24 can manage valve terminals from 4 to 24, which allows to control up to 48 cylinders using 2-3/2 solenoid valves.

Connection cables to be ordered separately.

Interfaces for valve terminals series A5

Fieldbus

Main features

Version	Code	Item	Symbol
Fieldbus interface with ProfiNET® protocol	036100	A501	
Fieldbus interface with EtherCAT® protocol	036101	A502	
Fieldbus interface with EtherNET/IP® protocol	036102	A503	
Fieldbus interface with CC-Link IE™ Field Basic protocol	036103	A504	



Technical data

Item	A501	A502	A503	A504
Communication protocol	ProfiNET®	EtherCAT®	EtherNET/IP®	CC-Link IE™ Field Basic
Maximum managed valves	24 solenoid valves (also with double electric pilot)			
Temperature range	-5°C ÷ +60°C			
Voltage	24 VDC			
Electrical consumption	1,2 W			
Power supply input	M12 Male 4 pin, A-coded (for configuration see table below)			
Communication input	M12 Female 4 pin, D-coded (for configuration see table below)			
Power supply cable*	M12 Female cable type CAVFBFD			
Communication cable*	M12 Male cable type CAVFBMD, CAVFBMM, CAVFBMR			
Control	On integrated dial (see table below)			
Control indicator	LED (see table below)			

*Cables to be ordered separately, see from page 2.75.40

Fieldbus module

N.	Description	Function
1	Control dial	Allows to set the IP address and valve coils
2	Control indicator	Indicates the status and operation of functions via LEDs
3	Communication (output)	Output communication port type M12 female 4-pin, D-coded
4	Communication (input)	Input communication port type M12 female 4-pin, D-coded
5	Power supply	Power supply input port type M12 male 4-pin, A-coded

Power supply configuration

Pin	Function
1	UA Actuator power supply
2	GND Actuator power supply
3	US Bus power supply
4	GND Bus power supply

Communication configuration (input)

Pin	Function
1	Tx+ Data transfer (+)
2	Rx+ Data receiving (+)
3	Tx- Data transfer (-)
4	Rx- Data receiving (-)

Communication configuration (output)

Pin	Function
1	Tx+ Data transfer (+)
2	Rx+ Data receiving (+)
3	Tx- Data transfer (-)
4	Rx- Data receiving (-)

Interfaces for valve terminals series A5

Sub-D

Main features

Version	Code	Item	Symbol
Sub-D 25 poles interface	036104	A505	-

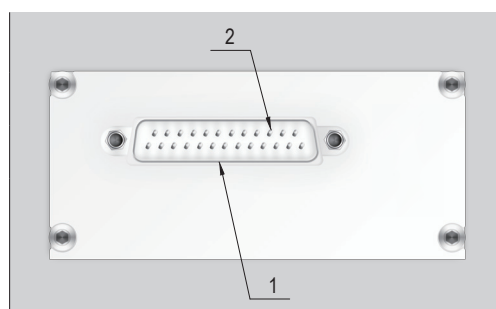


Technical data

Item	A505
Communication protocol	Sub-D 25 pin
Maximum managed valves	24 single electric pilot solenoid valve, 12 double electric pilot solenoid valve
Temperature range	-5°C ÷ +60°C
Voltage	24 VDC
Electrical consumption	1,2 W
Power supply cable*	Sub-D Female 25 pin cable type CAVSDFD
Communication cable*	Sub-D Female 25 pin cable type CAVSDFD

*Cables to be ordered separately, see page 2.75.42

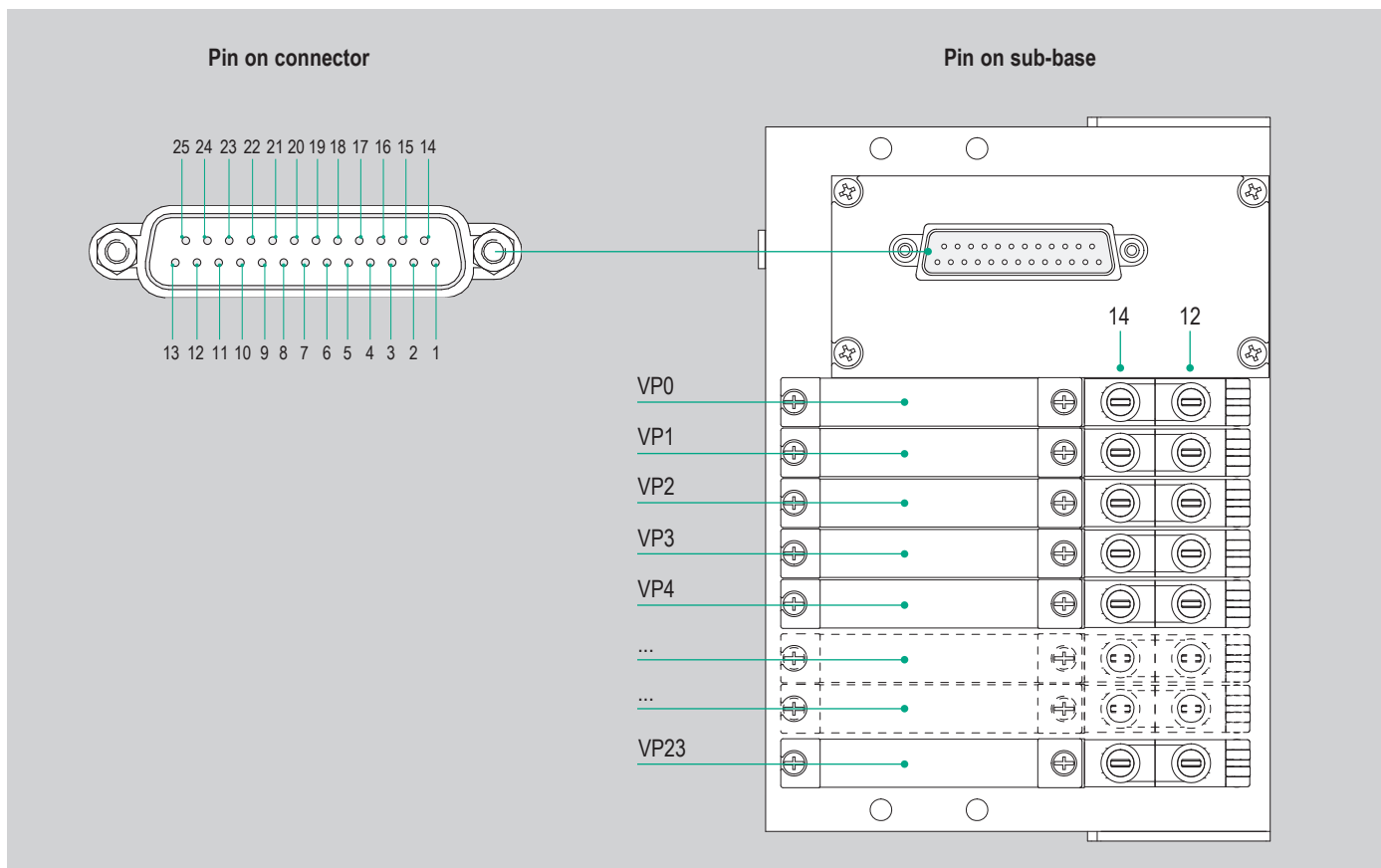
Sub-D module



N.	Description	Function
1	Connector	Sub-D Male 25 pin (see tabel at page 2.71.21)
2	Pin	Each pin controls a function of the valve terminal (see table at page 2.71.21)

Interfaces for valve terminals series A5
Sub-D

Sub-D interface connection diagram



Pin on connector	Wire color	Number of positions on sub-base									
		4 ÷ 12		14		16		20		24	
1	White	VP0	14	VP0	14	VP0	14	VP0	14	VP0	14
2	Brown	VP0	12	VP0	12	VP0	12	VP0	12	VP23	14
3	Green	VP1	14	VP1	14	VP1	14	VP1	14	VP1	14
4	Yellow	VP1	12	VP1	12	VP1	12	VP1	12	VP22	14
5	Grey	VP2	14	VP2	14	VP2	14	VP2	14	VP2	14
6	Pink	VP2	12	VP2	12	VP2	12	VP2	12	VP21	14
7	Blue	VP3	14	VP3	14	VP3	14	VP3	14	VP3	14
8	Red	VP3	12	VP3	12	VP3	12	VP3	12	VP20	14
9	Black	VP4	14	VP4	14	VP4	14	VP4	14	VP4	14
10	Purple	VP4	12	VP4	12	VP4	12	VP19	14	VP19	14
11	Grey-Pink	VP5	14	VP5	14	VP5	14	VP5	14	VP5	14
12	Red-Blue	VP5	12	VP5	12	VP5	12	VP18	14	VP18	14
13	White-Green	VP6	14	VP6	14	VP6	14	VP6	14	VP6	14
14	Brown-Green	VP6	12	VP6	12	VP6	12	VP17	14	VP17	14
15	White-Yellow	VP7	14	VP7	14	VP7	14	VP7	14	VP7	14
16	Yellow-Brown	VP7	12	VP7	12	VP7	12	VP16	14	VP16	14
17	White-Grey	VP8	14	VP8	14	VP8	14	VP8	14	VP8	14
18	Grey-Brown	VP8	12	VP8	12	VP15	14	VP15	14	VP15	14
19	White-Pink	VP9	14	VP9	14	VP9	14	VP9	14	VP9	14
20	Pink-Brown	VP9	12	VP9	12	VP14	14	VP14	14	VP14	14
21	White-Blue	VP10	14	VP10	14	VP10	14	VP10	14	VP10	14
22	Brown-Blue	VP10	12	VP13	14	VP13	14	VP13	14	VP13	14
23	White-Red	VP11	14	VP11	14	VP11	14	VP11	14	VP11	14
24	Brown-Red	VP11	12	VP12	14	VP12	14	VP12	14	VP12	14
25	White-Black	COM		COM		COM		COM		COM	

Note: solenoid valves with double electric pilot can be only mounted in the positions VP corresponding to the grey areas in the table.

Interfaces for valve terminals series A5

IO-Link®

2 - VALVES

Main features

Version	Code	Item	Symbol
IO-Link® interface up to 8 positions	036105	A506	
IO-Link® interface up to 16 positions	036106	A507	
IO-Link® interface up to 24 positions	036107	A508	



Technical data

Item	A506	A507	A508
Communication protocol	IO-Link®		
Maximum managed valves	8 solenoid valves (also double electric pilot)	16 solenoid valves (also double electric pilot)	24 solenoid valves (also double electric pilot)
Temperature range	-5°C ÷ +60°C		
Voltage	24 VDC		
Electrical consumption	1,2 W		
Power supply input	M12 Female 5 pin (see table below)		
Communication input	M12 Female 5 pin (see table below)		
Power supply cable*	M12 Male cable type CAVILFD		
Communication cable*	M12 Male cable type CAVILFD		
Control indicator	LED (see table below)		

*Cables to be ordered separately, see page 2.75.43

IO-Link® module

N.	Description	Function
1	Connector	M12 Male 5 pin (see table below)
2	Control indicator	Green LED (flashing) = normal operating state
		Red LED (stationary) = no power supply or IO-Link® signal
		Blue LED (stationary) = open or overloaded circuit

IO-Link® connector configuration

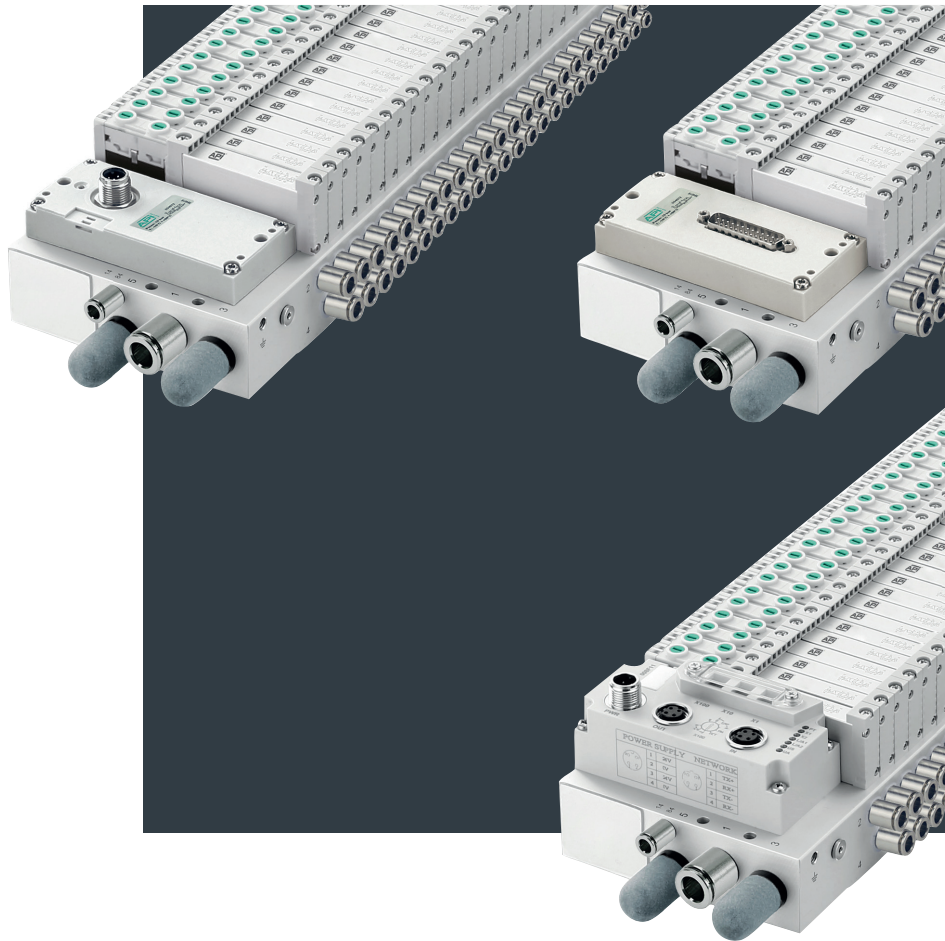
Pin	Features	Function
1	24V EL/SEN (PS)	Power supply
2	24V BAL/OUT (PL)	Power supply load
3	0V EL/SEN (PS)	Power supply
3	C/Q	Communication
5	0V VAL/OUT (PL)	Power supply load

IO-Link® drive file

Description	Specifics
Electrical features	V1.1
Data transmission rate	COM2 (38,4KBit)
Data output	2, 4, 6 bytes

VALVE TERMINALS

Series A5 complete and assembled



Valve terminals series A5 complete and assembled

Features and certifications

Complete valve terminals available in sizes 10mm and 14mm, composed by

- **sub-bases** with set positions, from 4 to 24 stations, with possibility of internal or external piloting of solenoid valves, simply applying a screw or a plug in the relevant connection;

- **interface** with possibility of three types: Fieldbus interface (communication selectable between ProfiNET®, EtherCAT®, EtherNET/IP® and CC-Link IE™ Field Basic), multipolar Sub-D communication interface and IO-Link® interface.

- **solenoid valves** with possibility of choice between many functions (5/2, 5/3 e 2-3/2), assembled in a simple and practical way. Each valve, even if in an intermediate position, can be easily replaced. The valve coils are low consumption (1.2W), with 360° view LED, equipped with "push" and bistable manual override.

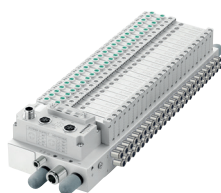
Valve terminals are supplied already assembled and tested, and in compliance to Reach and RoHS directives as standard.

Fittings, exhaust silencers, interface connection cables, blanking plugs and diaphragms for separated feeding or exhausts are to be ordered separately.



Valve terminals series A5 with Fieldbus interface

from page 2.70.20



Complete valve terminals with Fieldbus communication interface (selectable between ProfiNET®, EtherCAT®, EtherNET/IP® and CC-Link IE™Field Basic protocols).

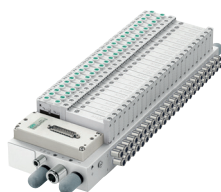
Available in size 10mm and 14mm, with possibility to choose sub-bases from 4 to 24 positions: that allows to control up to 48 cylinders with 2-3/2 valves.

Valve terminals are supplied already assembled and tested.

Fittings, exhaust silencers, interface connection cables, blanking plugs and diaphragms for separated feeding or exhausts are to be ordered separately.

Valve terminals series A5 with Sub-D interface

from page 2.70.40



Complete valve terminals with multipole Sub-D 25 poles communication interface.

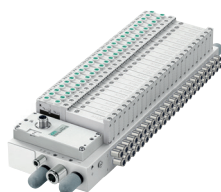
Available in size 10mm and 14mm, with possibility to choose sub-bases from 4 to 24 positions: this allows to allocate a maximum of 12 double pilot solenoid valves or 24 single pilot solenoid valves.

Valve terminals are supplied already assembled and tested.

Fittings, exhaust silencers, interface connection cables, blanking plugs and diaphragms for separated feeding or exhausts are to be ordered separately.

Valve terminals series A5 with IO-Link® interface

from page 2.70.60



Complete valve terminals with IO-Link® communication interface (in three different versions, 8, 16 and 24, depending on the maximum number of manageable valves).

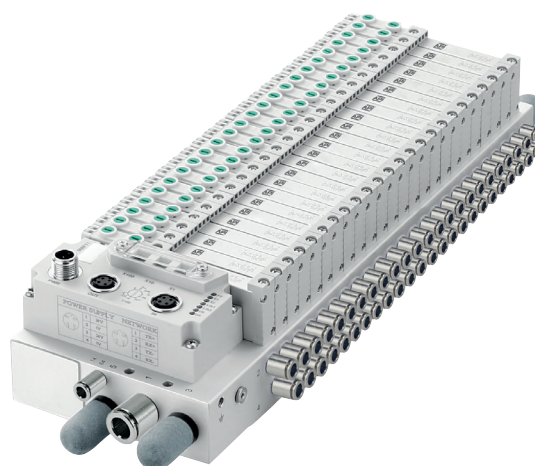
Available in size 10mm and 14mm, with possibility to choose sub-bases from 4 to 24 positions: this allows to control up to 48 cylinders with 2-3/2 valves.

Valve terminals are supplied already assembled and tested.

Fittings, exhaust silencers, interface connection cables, blanking plugs and diaphragms for separated feeding or exhausts are to be ordered separately.

Valve terminals series A5 complete and assembled

With Fieldbus interface



Main features

Version	Code	Item	Symbol
Valve terminal size 10 mm with Fieldbus interface ProfiNET® protocol	*	A51001..	
Valve terminal size 14 mm with Fieldbus interface ProfiNET® protocol	*	A51401..	
Valve terminal size 10 mm with Fieldbus interface EtherCAT® protocol	*	A51002..	
Valve terminal size 14 mm with Fieldbus interface EtherCAT® protocol	*	A51402..	
Valve terminal size 10 mm with Fieldbus interface EtherNet/IP® protocol	*	A51003..	
Valve terminal size 14 mm with Fieldbus interface EtherNet/IP® protocol	*	A51403..	
Valve terminal size 10 mm with Fieldbus interface CC-Link IE™ Field Basic protocol	*	A51004..	
Valve terminal size 14 mm with Fieldbus interface CC-Link IE™ Field Basic protocol	*	A51404..	

*For the full article and code please see page 2.70.3

Technical data

Item	A51001..	A51002..	A51003..	A51004..	A51401..	A51402..	A51403..	A51404..
Size	10 mm				14 mm			
Communication protocol	ProfiNET®	EtherCAT®	EtherNET/IP®	CC-Link IE™ Field Basic	ProfiNET®	EtherCAT®	EtherNET/IP®	CC-Link IE™ Field Basic
Interface module features	See page 2.73.10							
Positions on sub-base	4 + 24 (4, 5, 6, 7, 8, 9, 10, 12, 14, 16, 20, 24)							
Fluid	Compressed air with or without lubrication. Lubrication, if started, must be continued.							
Pressure range	Minimum	2 bar (5/2) - 3 bar (5/3) - 2,5 bar (2-3/2)						
	Maximum	8 bar						
Temperature range	-5°C ÷ +60°C							
Flow at 6 bar with ΔP 1bar	300 l/min				600 l/min			
Sub-base air supply	G 1/4"							
Sub-base exhausts	G 1/4"							
Connection for external piloting ⁽¹⁾	M5							
Sub-base outlets	M7				G 1/8"			
Voltage	24 VDC							
Electrical consumption	1,2 W							
Maximum number of valves ⁽²⁾	24 (also with double electric pilot)							
Internal data transmission	With integrated PCB							
Manual override	"Push" and bistable							

Notes

For possible configurations of the valve terminal see from page 2.70.3;
 The configuration does not include fittings, exhaust silencers and connection cables for the communication interface, are to be ordered separately.
 For fittings see from page 4.3.1; For silencers see from page 4.150.1; For diaphragms and plugs see from page 2.75.20; For communication cables see from page 2.75.40

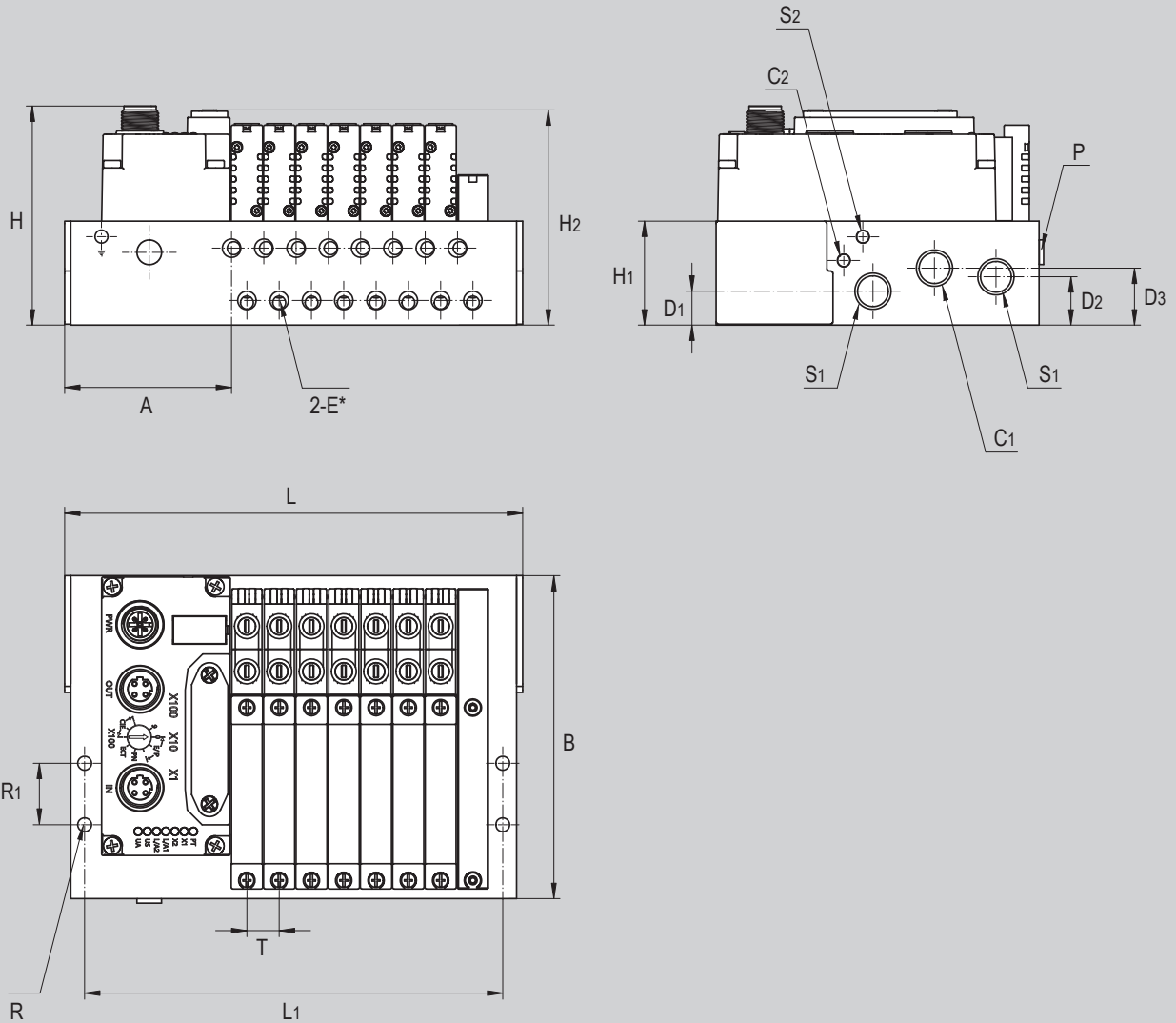
(1) In case of external pilot configuration.

(2) Depending on the number of positions on the sub-base. For valves features, see from page 2.71.1; For sub-bases features, see from page 2.72.1

Valve terminals series A5 complete and assembled
With Fieldbus interface

Standard dimensions

Type: A5 Fieldbus



2 - VALVES

Item	Size	A	B	C1	C2	D1	D2	D3	E*	H	H1	H2	L**	L1**	P	ØR	R1	S1	S2	T
A51001..	10 mm	54,3	105	G1/4"	M5	11	15,7	18,5	M7	71,2	33,8	69,5	65 + (nxT)	52 + (nxT)	M5	4,5	20	G1/4"	M5	10,5
A51002..	10 mm	54,3	105	G1/4"	M5	11	15,7	18,5	M7	71,2	33,8	69,5	65 + (nxT)	52 + (nxT)	M5	4,5	20	G1/4"	M5	10,5
A51003..	10 mm	54,3	105	G1/4"	M5	11	15,7	18,5	M7	71,2	33,8	69,5	65 + (nxT)	52 + (nxT)	M5	4,5	20	G1/4"	M5	10,5
A51004..	10 mm	54,3	105	G1/4"	M5	11	15,7	18,5	M7	71,2	33,8	69,5	65 + (nxT)	52 + (nxT)	M5	4,5	20	G1/4"	M5	10,5
A51401..	14 mm	56	105	G1/4"	M5	10	15,7	18,5	G1/8"	71,2	33,8	69,5	64 + (nxT)	54 + (nxT)	M5	4,5	20	G1/4"	M5	16
A51402..	14 mm	56	105	G1/4"	M5	10	15,7	18,5	G1/8"	71,2	33,8	69,5	64 + (nxT)	54 + (nxT)	M5	4,5	20	G1/4"	M5	16
A51403..	14 mm	56	105	G1/4"	M5	10	15,7	18,5	G1/8"	71,2	33,8	69,5	64 + (nxT)	54 + (nxT)	M5	4,5	20	G1/4"	M5	16
A51404..	14 mm	56	105	G1/4"	M5	10	15,7	18,5	G1/8"	71,2	33,8	69,5	64 + (nxT)	54 + (nxT)	M5	4,5	20	G1/4"	M5	16

Notes

Valve terminal is supplied complete, already assembled and tested. Fittings, exhaust silencers and interface connection cables to be ordered separately.

*There are 2 connections for each position on the base, therefore overall number of connections depends on the configuration.

**Quotes L and L1 are to be calculated by the number of positions of the sub-base. The letter "n" indicated in the quote must be replaced with the number of positions of the sub-base.

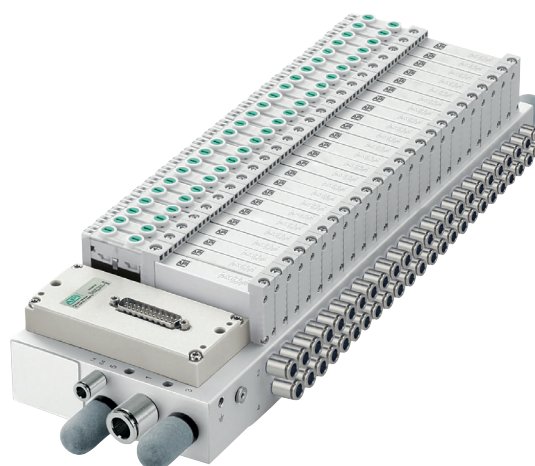
Valve terminals series A5 complete and assembled

With Sub-D interface

Main features

Version	Code	Item	Symbol
Valve terminal size 10 mm with Sub-D interface	*	A51005..	-
Valve terminal size 14 mm with Sub-D interface	*	A51405..	

*For the full article and code please see page 2.70.3



Technical data

Item	A51005..	A51405..
Size	10 mm	14 mm
Communication protocol	Sub-D 25 poles	
Interface module features	See from page 2.73.20	
Positions on sub-base	4 ÷ 24 (4, 5, 6, 7, 8, 9, 10, 12, 14, 16, 20, 24)	
Fluid	Compressed air with or without lubrication. Lubrication, if started, must be continued.	
Pressure range	Minimum	2 bar (5/2) - 3 bar (5/3) - 2,5 bar (2-3/2)
	Maximum	8 bar
Temperature range	-5°C ÷ +60°C	
Flow at 6 bar with ΔP 1bar	300 l/min	600 l/min
Sub-base air supply	G 1/4"	
Sub-base exhausts	G 1/4"	
Connection for external piloting ⁽¹⁾	M5	
Sub-base outlets	M7	G 1/8"
Voltage	24 VDC	
Electrical consumption	1,2 W	
Maximum number of valves ⁽²⁾	24 with single electric pilot, 12 with double electric pilot	
Internal data transmission	With integrated PCB	
Manual override	"Push" and bistable	

Notes

For possible configurations of the valve terminal see from page 2.70.3;
 The configuration does not include fittings, exhaust silencers and connection cables for the communication interface, are to be ordered separately.
 For fittings see from page 4.3.1; For silencers see from page 4.150.1; For diaphragms and plugs see from page 2.75.20; For communication cables see page 2.75.42

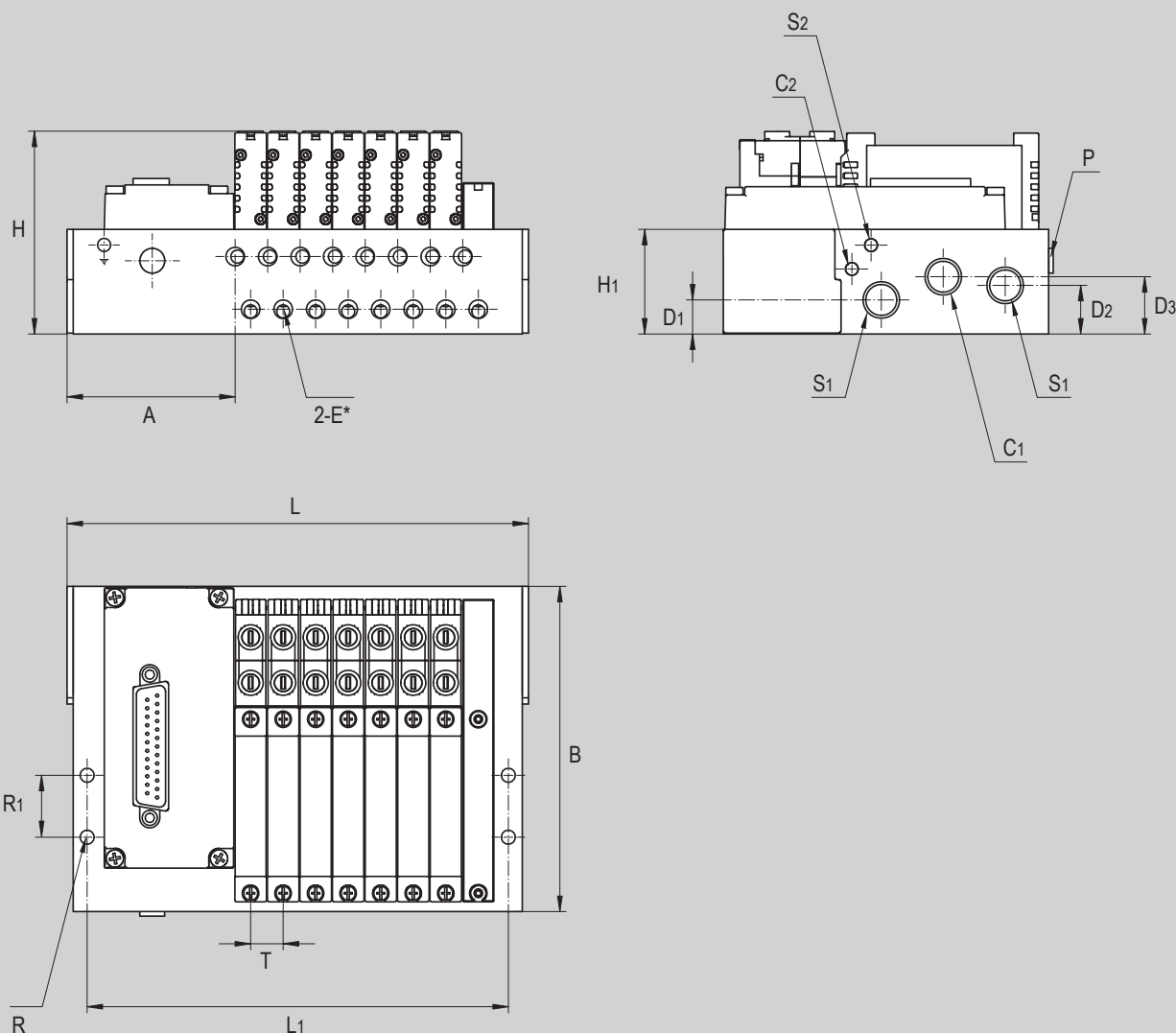
(1) In case of external pilot configuration.
 (2) Depending on the number of positions on the sub-base. For valves features, see from page 2.71.1; For sub-bases features, see from page 2.72.1

2 - VALVES

Valve terminals series A5 complete and assembled
With Sub-D interface

Standard dimensions

Type: A5 Sub-D



Item	Size	A	B	C1	C2	D1	D2	D3	E*	H	H1	L**	L1**	P	ØR	R1	S1	S2	T
A51005..	10 mm	54,3	105	G1/4"	M5	11	15,7	18,5	M7	65	33,8	65 + (nxT)	52 + (nxT)	M5	4,5	20	G1/4"	M5	10,5
A51405..	14 mm	56	105	G1/4"	M5	10	15,7	18,5	G1/8"	65	33,8	64 + (nxT)	54 + (nxT)	M5	4,5	20	G1/4"	M5	16

Notes

Valve terminal is supplied complete, already assembled and tested. Fittings, exhaust silencers and interface connection cables to be ordered separately.

*There are 2 connections for each position on the base, therefore overall number of connections depends on the configuration.

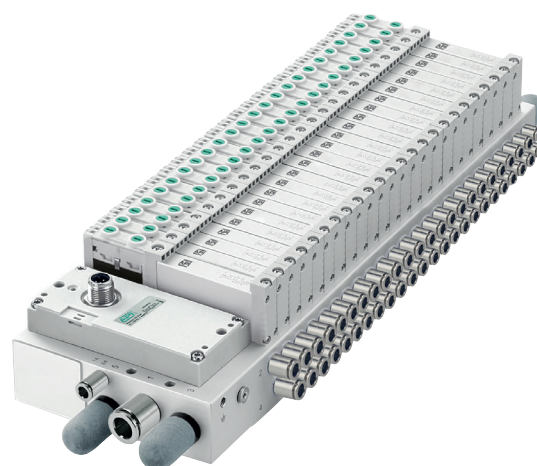
**Quotes L and L1 are to be calculated by the number of positions of the sub-base. The letter "n" indicated in the quote must be replaced with the number of positions of the sub-base.

Valve terminals series A5 complete and assembled

With IO-Link® interface

Main features

Version	Code	Item	Symbol
Valve terminal size 10 mm with IO-Link® interface up to 8 positions	*	A51006..	
Valve terminal size 14 mm with IO-Link® interface up to 8 positions	*	A51406..	
Valve terminal size 10 mm with IO-Link® interface up to 16 positions	*	A51007..	
Valve terminal size 14 mm with IO-Link® interface up to 16 positions	*	A51407..	
Valve terminal size 10 mm with IO-Link® interface up to 24 positions	*	A51008..	
Valve terminal size 14 mm with IO-Link® interface up to 24 positions	*	A51408..	



*For the full article and code please see page 2.70.3

Technical data

Item	A51006..	A51007..	A51008..	A51406..	A51407..	A51408..
Size	10 mm			14 mm		
Communication protocol	IO-Link®					
Interface module features	See from page 2.73.30					
Positions on sub-base	4 ÷ 8 (4, 5, 6, 7, 8)	4 ÷ 16 (4, 5, 6, 7, 8, 9, 10, 12, 14, 16)	4 ÷ 24 (4, 5, 6, 7, 8, 9, 10, 12, 14, 16, 20, 24)	4 ÷ 8 (4, 5, 6, 7, 8)	4 ÷ 16 (4, 5, 6, 7, 8, 9, 10, 12, 14, 16)	4 ÷ 24 (4, 5, 6, 7, 8, 9, 10, 12, 14, 16, 20, 24)
Fluid	Compressed air with or without lubrication. Lubrication, if started, must be continued.					
Pressure range	Minimum	2 bar (5/2) - 3 bar (5/3) - 2,5 bar (2-3/2)				
	Maximum	8 bar				
Temperature range	-5°C ÷ +60°C					
Flow at 6 bar with ΔP 1bar	300 l/min			600 l/min		
Sub-base air supply	G 1/4"					
Sub-base exhausts	G 1/4"					
Connection for external piloting ⁽¹⁾	M5					
Sub-base outlets	M7			G 1/8"		
Voltage	24 VDC					
Electrical consumption	1,2 W					
Maximum number of valves ⁽²⁾	8	16	24	8	16	24
Internal data transmission	With integrated PCB					
Manual override	"Push" and bistable					

Notes

For possible configurations of the valve terminal see from page 2.70.3;
 The configuration does not include fittings, exhaust silencers and connection cables for the communication interface, are to be ordered separately.
 For fittings see from page 4.3.1; For silencers see from page 4.150.1; For diaphragms and plugs see from page 2.75.20; For communication cables see page 2.75.43

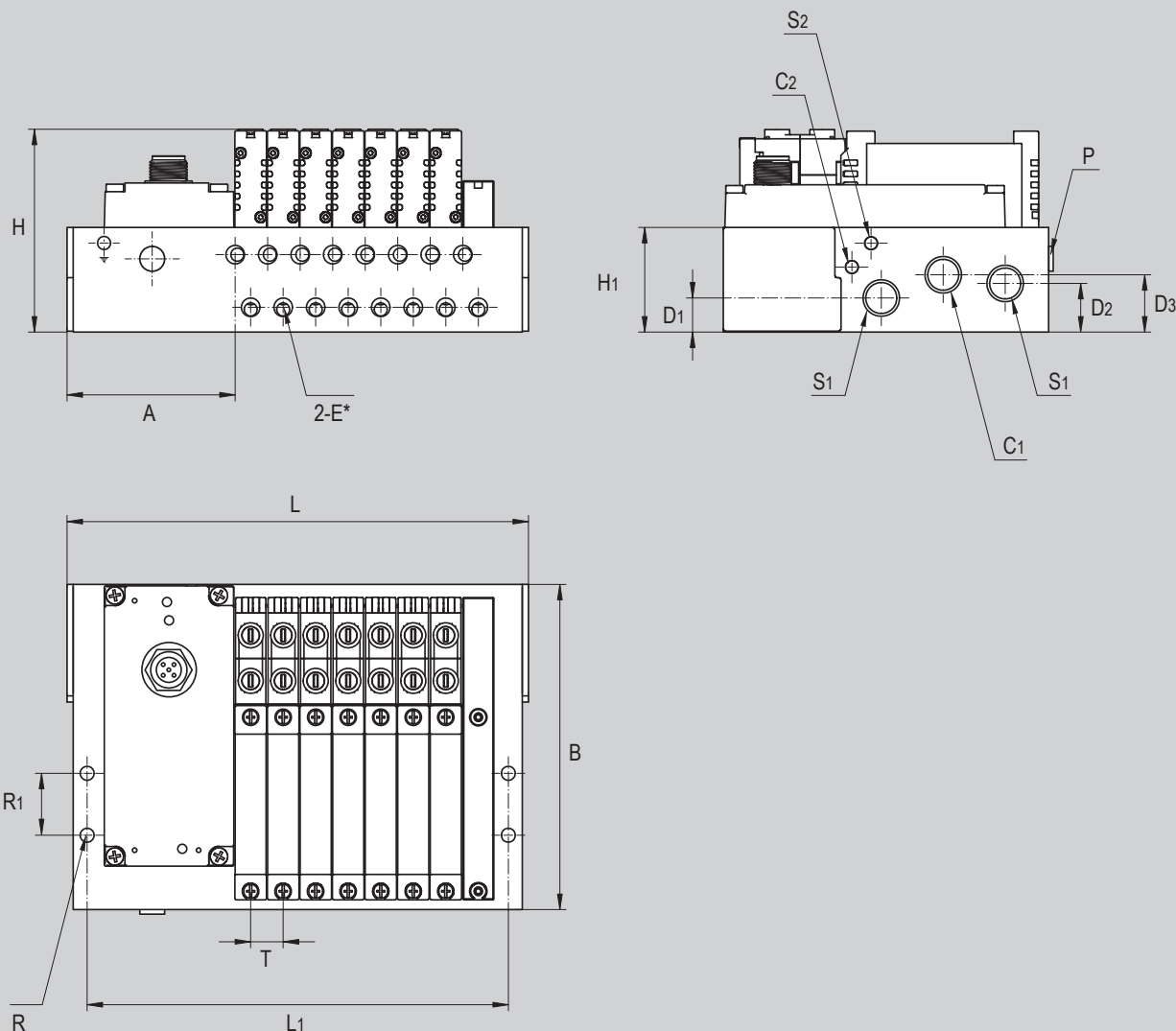
(1) In case of external pilot configuration.

(2) Depending on the number of positions on the sub-base. For valves features, see from page 2.71.1; For sub-bases features, see from page 2.72.1

Valve terminals series A5 complete and assembled
With IO-Link® interface

Standard dimensions

Type: **A5 IO-Link®**



Item	Size	A	B	C1	C2	D1	D2	D3	E*	H	H1	L**	L1**	P	ØR	R1	S1	S2	T
A51006..	10 mm	54,3	105	G1/4"	M5	11	15,7	18,5	M7	65	33,8	65 + (nxT)	52 + (nxT)	M5	4,5	20	G1/4"	M5	10,5
A51007..	10 mm	54,3	105	G1/4"	M5	11	15,7	18,5	M7	65	33,8	65 + (nxT)	52 + (nxT)	M5	4,5	20	G1/4"	M5	10,5
A51008..	10 mm	54,3	105	G1/4"	M5	11	15,7	18,5	M7	65	33,8	65 + (nxT)	52 + (nxT)	M5	4,5	20	G1/4"	M5	10,5
A51406..	14 mm	56	105	G1/4"	M5	10	15,7	18,5	G1/8"	65	33,8	64 + (nxT)	54 + (nxT)	M5	4,5	20	G1/4"	M5	16
A51407..	14 mm	56	105	G1/4"	M5	10	15,7	18,5	G1/8"	65	33,8	64 + (nxT)	54 + (nxT)	M5	4,5	20	G1/4"	M5	16
A51408..	14 mm	56	105	G1/4"	M5	10	15,7	18,5	G1/8"	65	33,8	64 + (nxT)	54 + (nxT)	M5	4,5	20	G1/4"	M5	16

Notes

Valve terminal is supplied complete, already assembled and tested. Fittings, exhaust silencers and interface connection cables to be ordered separately.

*There are 2 connections for each position on the base, therefore overall number of connections depends on the configuration.

**Quotes L and L1 are to be calculated by the number of positions of the sub-base. The letter "n" indicated in the quote must be replaced with the number of positions of the sub-base.

ACCESSORIES

for valve terminals series A5



Accessories for valve terminals series A5

Features and certifications

Accessories for valve terminals serie A5 to use with the sub-bases (plugs and screws for piloting switch, blanking plugs for unused positions, diaphragms for separated feeding and exhausts) and with the interfaces (communication cables), available for all sizes and types. Accessories are supplied conforming to Reach and RoHS directives as standard.



Accessories for sub-bases

da pag. 2.75.20



Accessories for valve terminals series A5.

Accessories for sub-bases.

Plugs and screws for the piloting switch, blanking plugs for unused positions, diaphragms for separated feeding and exhausts.

Cables for interfaces

da pag. 2.75.40



Accessories for valve terminals series A5

Cables compatible with modular communication interfaces type Fieldbus, Sub-D 25 poles and IO-Link®, available in different types and configurations.

Accessories for valve terminals series A5

Accessories for sub-bases. Plugs and screws for piloting switch and diaphragms for separated feeding and exhausts

Main features

Code	Item	Description
022521	A0090505	Plug for the pilot switching connection



Technical data

Item	A0090505	
Code	022521	
Temperature	-5°C ÷ +60°C	
Thread size	M5	
Matching	A5B10	A5B14
Function	For internal piloting configuration (see page 2.70.6)	
Installation	See from page 2.70.4	
Mounting	Allen key	

Materials

Description	Material
Body	Nickel-plated brass
Seals	NBR

Main features

Code	Item	Description
036180	A5BAV	Screw for the pilot switching connection



Technical data

Item	A5BAV	
Code	036180	
Temperature	-5°C ÷ +60°C	
Thread size	M5	
Matching	A5B10	A5B14
Function	For external piloting configuration (see page 2.70.6)	
Installation	See from page 2.70.4	
Mounting	Flat-blade screwdriver	

Materials

Description	Material
Body	Brass
Seals	NBR

Main features

Code	Item	Description
036183	A5BMC	Diaphragm for separating feeding or exhausts



Technical data

Item	A5BMC	
Code	036183	
Temperature	-5°C ÷ +60°C	
Thread size	G 1/4"	
Matching	A5B10	A5B14
Function	For separated feeding or exhausts configuration	
Installation	See page 2.70.6	
Mounting	Flat-blade screwdriver	

Materials

Description	Material
Body	Brass
Seals	NBR

Accessories for valve terminals series A5

Accessories for sub-bases. Blanking plugs

2 - VALVES

Main features

Code	Item	Description
036181	A5BTC10	Blanking plug for unused positions on 10mm sub-bases
036182	A5BTC14	Blanking plug for unused positions on 14mm sub-bases



Technical data

Item	A5BTC10	A5BTC14
Code	036181	036182
Temperature	-5°C ÷ +60°C	
Size	10 mm	14 mm
Matching	A5B10	A5B14
Function	For blanking any unused position on the sub-base	
Installation	In the unused position on the sub-base	
Mounting screws	Ø 2,55	Ø 3

Materials

Description	Material
Body	Aluminium
Seals	NBR

Main features

Code	Item	Description
022528	A0090707	Blanking plug for connections on 10 mm sub-base
022522	A0091818	Blanking plug for connections on 14 mm sub-base
022521	A0090505	Blanking plug for feeding or exhaust connection
022523	A0091414	Blanking plug for feeding or exhaust connection



Technical data

Item	A0090707	A0091818	A0090505	A0091414
Code	022528	022522	022521	022523
Temperature	-10°C ÷ +60°C			
Thread size	M7	G 1/8"	M5	G 1/4"
Matching	A5B10	A5B14	A5B10 A5B14	A5B10 A5B14
Installation	Connection E (see page 2.72.11 and 2.72.22)		See page 2.70.4	
Mounting	Allen key			

Materials

Description	Material
Body	Nickel-plated brass
Seals	NBR

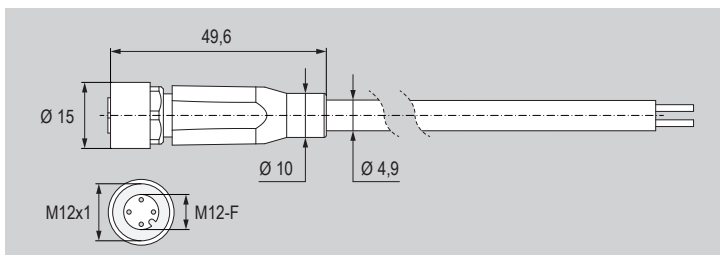
Accessories for valve terminals series A5

Cables for interfaces. Connection cables for Fieldbus interface

Main features

CAVFBFD

Type



Features

Code	Item	Description
036108	CAVFBFD02	Power cable for Fieldbus interface, with M12 Female connector on input, and direct output with flexible cable. Length 2 m.
036109	CAVFBFD04	Power cable for Fieldbus interface, with M12 Female connector on input, and direct output with flexible cable. Length 4 m.

Technical Data

Type	CAVFBFD02	CAVFBFD04
Cable	4 x 0,34 mm ²	
Cable length	2 mt.	4 mt.
Electrical connection	M12 Female connector	
Temperature range	-5°C ÷ +80°C	
Protection grade	IP 65	

Connector features

Pin	Function
1	UA Actuator power supply
2	GND Actuator power supply
3	US Bus power supply
4	GND Bus power supply

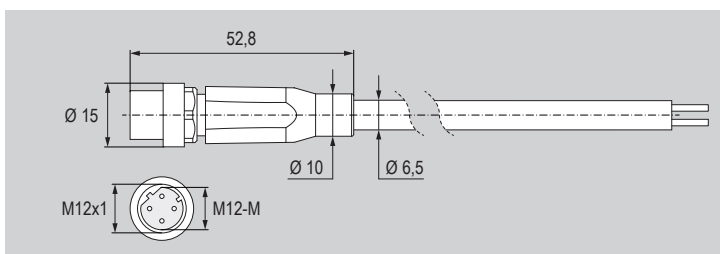
Materials

Description	Material
Cable sheathing	Grey PVC
Connector sheath	Black PVC
Connector housing	Brass
Connector contacts	Polypropylene

Main features

CAVFBMD

Type



Features

Code	Item	Description
036110	CAVFBMD02	Communication cable for Fieldbus interface, with M12 Male connector on input, and direct output with flexible cable. Length 2 m.
036111	CAVFBMD04	Communication cable for Fieldbus interface, with M12 Male connector on input, and direct output with flexible cable. Length 4 m.

Technical Data

Type	CAVFBMD02	CAVFBMD04
Cable	AWG22	
Cable length	2 mt.	4 mt.
Electrical connection	M12 Male connector	
Temperature range	-5°C ÷ +80°C	
Protection grade	IP 65	

Connector features

Pin	Function
1	TD+ Data transfer
2	RD+ Data receiving
3	TD- Data transmission
4	RD- Data receiving

Materials

Description	Material
Cable sheathing	Green PVC
Connector sheath	Black PVC
Connector housing	Brass
Connector contacts	Brass

2 - VALVES

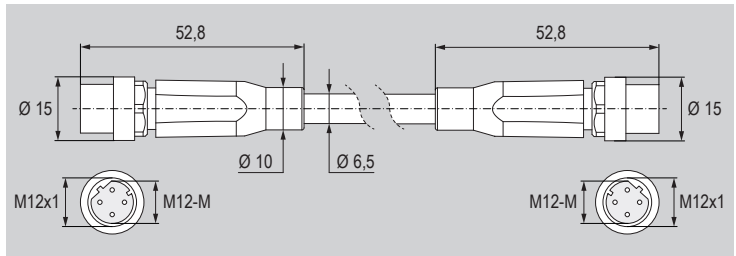
Accessories for valve terminals series A5

Cables for interfaces. Connection cables for Fieldbus interface

Main features

CAVFBMM

Type



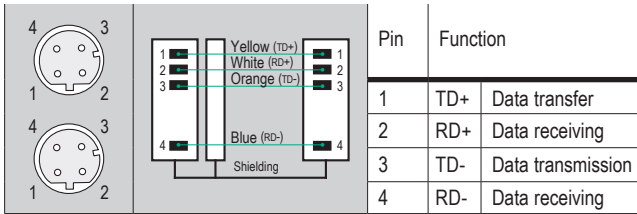
Features

Code	Item	Description
036112	CAVFBMM02	Communication cable for Fieldbus interface, with M12 Male connector on input and output. Length 2 m.
036113	CAVFBMM04	Communication cable for Fieldbus interface, with M12 Male connector on input and output. Length 4 m.

Technical Data

Type	CAVFBMM02	CAVFBMM04
Cable	AWG22	
Cable length	2 mt.	4 mt.
Electrical connection	M12 Male connector	
Temperature range	-5°C ÷ +80°C	
Protection grade	IP 65	

Connector features



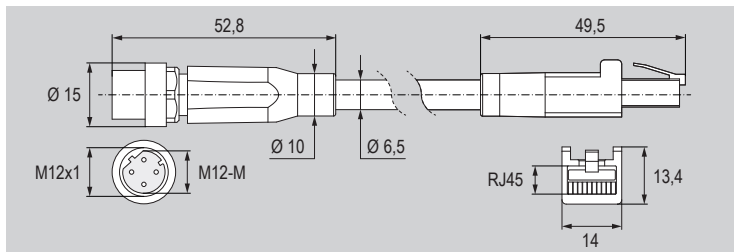
Materials

Description	Material
Cable sheathing	Green PVC
Connector sheath	Black PVC
Connector housing	Brass
Connector contacts	Brass

Main features

CAVFBMR

Type



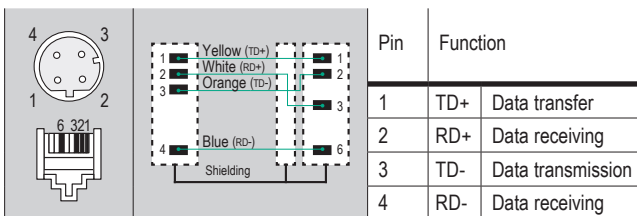
Features

Code	Item	Description
036114	CAVFBMR02	Communication cable for Fieldbus interface, with M12 Male connector input, and RJ45 network connector output. Length 2 m.
036115	CAVFBMR04	Communication cable for Fieldbus interface, with M12 Male connector input, and RJ45 network connector output. Length 4 m.

Technical Data

Type	CAVFBMR02	CAVFBMR04
Cable	AWG22	
Cable length	2 mt.	4 mt.
Electrical connection	M12 Male connector	
Temperature range	-5°C ÷ +80°C	
Protection grade	IP 65	

Connector features



Materials

Description	Material
Cable sheathing	Green PVC
Connector sheath	Black PVC
Connector housing	Brass
Connector contacts	Brass

Accessories for valve terminals series A5

Cables for interfaces. Connection cables for Sub-D interface

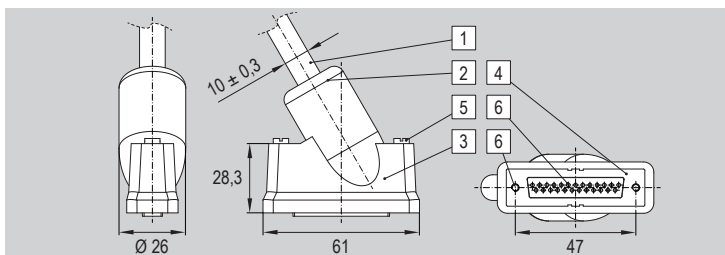
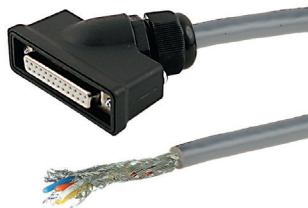
Main features



758-2464

CAVSDFD

Type



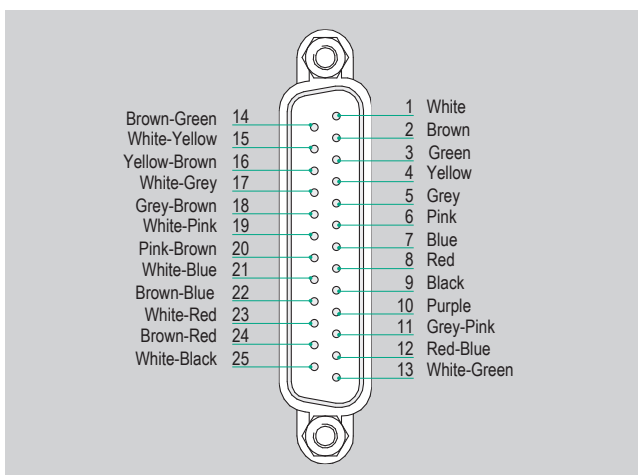
Features

Code	Item	Description
036116	CAVSDFD02	Communication cable for Sub-D multipole interface, with Sub-D 25-pole Female connector on input, and direct output with flexible cable. Length 2 m.
036117	CAVSDFD05	Communication cable for Sub-D multipole interface, with Sub-D 25-pole Female connector on input, and direct output with flexible cable. Length 5 m.
036204	CAVSDFD15	Communication cable for Sub-D multipole interface, with Sub-D 25-pole Female connector on input, and direct output with flexible cable. Length 15 m.

Materials

Position	Description	Material
1	Cable ferrule	Gray PVC (RAL7001)
2	Cable ferrule	Black polypropylene
3	Connector jacket	Black polypropylene
4	Connector housing	Steel
5	Connector screws	Steel
6	Connector contacts	Gold-plated brass
7	Connector nuts	Nickel-plated brass

Connector features



Technical Data

Type	CAVSDFD02	CAVSDFD05	CAVSDFD15
Cable	25 x 0,34 mm ² , flexible, fireproof		
Cable normative	UL758-2464		
Cable length	2 mt.	5 mt.	15 mt.
Electrical connection	M12 female connector		
Temperature range	-5°C ÷ +80°C		
Protection grade	IP 65		
Maximum clamping force of cable ferrule	3 Nm ± 20%		
Maximum tightening force of the connector screws	0,5 Nm ± 50%		

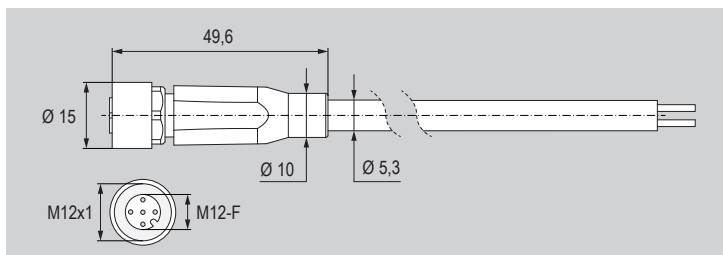
Accessories for valve terminals series A5

Cables for interfaces. Connection cables for IO-Link® interface

Main features

CAVILFD

Type



Features

Code	Item	Description
036118	CAVILFD02	Communication cable for IO-Link® interface, with M12 Female connector on input, and direct output with flexible cable. Length 2 m.
036119	CAVILFD04	Communication cable for IO-Link® interface, with M12 Female connector on input, and direct output with flexible cable. Length 4 m.

Technical Data

Type	CAVILFD02	CAVILFD04
Cable	5 x 0,34 mm2	
Cable length	2 mt.	4 mt.
Electrical connection	M12 Female connector	
Temperature range	-20°C ÷ +80°C	
Protection grade	IP 65	

Connector features

Pin		Function	
1	Brown (+)	UA	Actuator power supply
2	White (N.C.)	GND	Actuator power supply
3	Black (N.A.)	US	Bus power supply
4	Blue (+)	GND	Bus power supply
5	Grey (PE)		

Materials

Description	Material
Cable sheathing	Grey PVC
Connector sheath	Black PVC
Connector housing	Brass
Connector contacts	Polypropylene

2 - VALVES