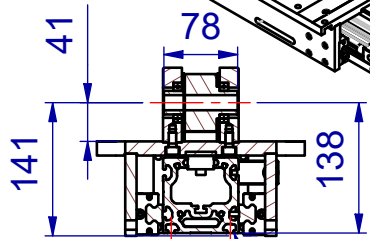
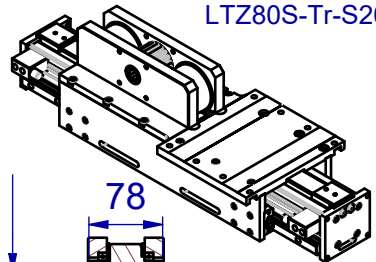
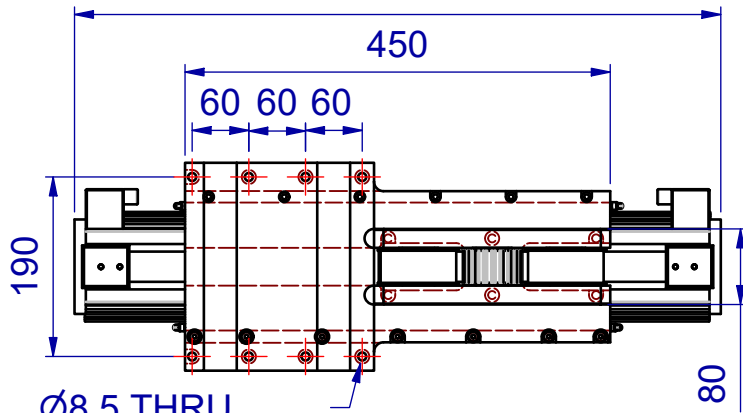


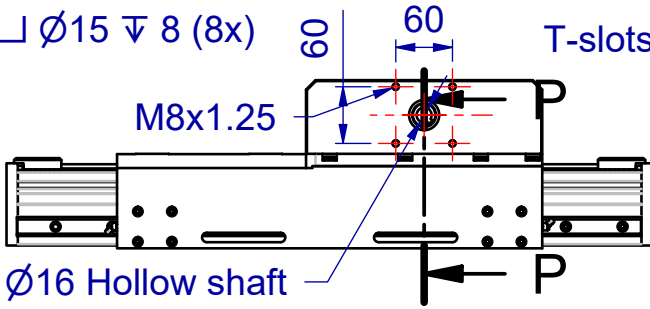
$L = \text{Stroke} + 584$

LTZ80S-Tr-S20Q



$\varnothing 8.5$ THRU
 $\sqsubset \varnothing 15 \nabla 8 (8x)$

T-slots for M8-M6 Nuts



$\varnothing 16$ Hollow shaft
with keyway

