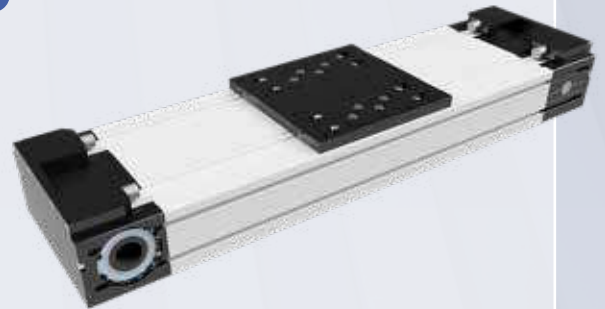


# LTY200 SERIES

Linear units with toothed belt drive  
and double rail guide system



- Extrusion profile 80 x 200 mm
- Rail Guide system size -20- with 4 LM blocks
- Very heavy load capacity
- Double Toothed belt type AT10, 32mm wide

## TECHNICAL DATA\*

## LTY200

Maximum stroke length	mm	5.500
Maximum speed	mm/s	3.000
Maximum acceleration	m/s <sup>2</sup>	30
Max. driving torque	Nm	110
Repeatability	mm	± 0,1
Movement per revolution	mm	200

*\*The values shown are theoretical maximum ratings. A suitable safety factor should always be applied based on application requirements.*

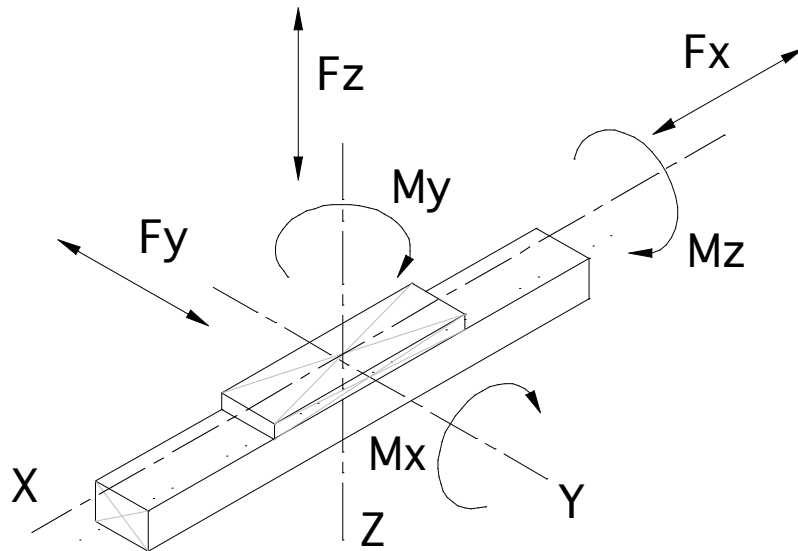
# LTY200 SERIES

## TECHNICAL DATA\*

### LOAD CAPACITY LTY200

Mx	Nm	1.600
My	Nm	1.700
Mz	Nm	1.250
Fx	N	5.000
Fy	N	14.800
Fz	N	14.800

\*Please ask us for specific calculations of the guide system.



## WEIGHTS (KG)

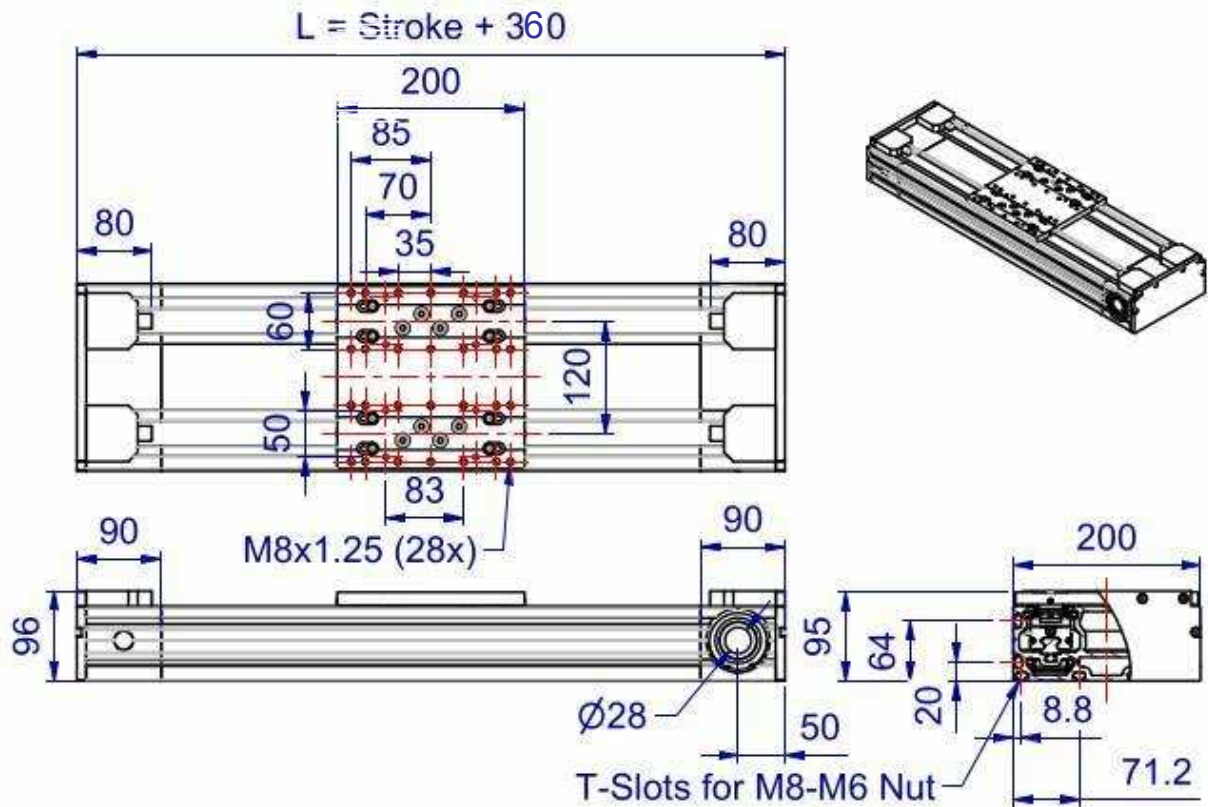
### LTY200

Unit weight 0 mm stroke	7,60
Weight per 100 mm stroke	1,92
Mass of carriage	2,70

# LTY200 SERIES

## DIMENSIONS

### DIMENSIONS LTY200



All drawings can be downloaded from [www.almotion.nl](http://www.almotion.nl)