

STAINLESS STEEL

quick-lock couplings



Find out our
key products



Solution for most applications



Easy and intuitive choice



Excellent value for money



Wide availability



Fast delivery



Stainless Steel quick-lock couplings

Main features and certifications

Stainless Steel quick-lock couplings. Available in versions double shut off conforming to ISO ISO 7241-1 "A" standards, double shut off flat face conforming to ISO 16028 standards, in-line and 90° rotary joints, with different threads. Supplied conforming to Reach and RoHS directives.

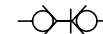


Series GXA

from page 5.321.1



Series of stainless steel double shut off quick-lock couplings conforming to ISO 7241-1 "A" standards. Suitable for use in aggressive environments. The tightness of the coupling connection with the plug is ensured by a series of spheres that allow a longer lifetime, even when connections and disconnections are frequent. Available in sizes from 1/4" to 1".

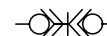


Series GXF

from page 5.322.1



Series of stainless steel double shut off flat face quick-lock couplings conforming to ISO 16028 standards, leak-free at the moment of disconnection. Suitable for use in aggressive environments, and in general in all those applications where it is important that there is no fluid leaking. The tightness of the coupling connection with the plug is ensured by a series of spheres that allow a longer lifetime, even when connections and disconnections are frequent. Available in size from 1/4" to 1 1/4".



Series GGLX

from page 5.326.1



Series of stainless in-line rotary joints. Configuration M/F. Used in the connection of two rotating elements, avoiding twisting. Available in size from 1/4" to 2".

Series GGAX

from page 5.327.1



Series of stainless 90° rotary joints. Configuration M/F. Used in the connection of two rotating elements, avoiding twisting. Available in size from 1/4" to 2".

Stainless Steel quick-lock couplings

Stainless Steel quick-lock couplings, series GXA



| Main features | | | |
|---------------|---|--------|--------------|
| Series | Description | Symbol | Compliance |
| GXA | Double shut off quick-lock couplings. Sizes from 1/4" to 1". In AISI 316 Stainless Steel. | | 7241-1 A |

Code key

| Series | Configuration | Size |
|------------|---------------|-------------|
| GXA | 1 | 012F |

GXA

1 = Coupling

2 = Stem

014F = 1/4" DN6

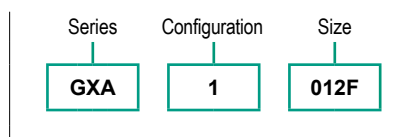
038F = 3/8" DN9

012F = 1/2" DN13

034F = 3/4" DN19

100F = 1" DN25

How to order



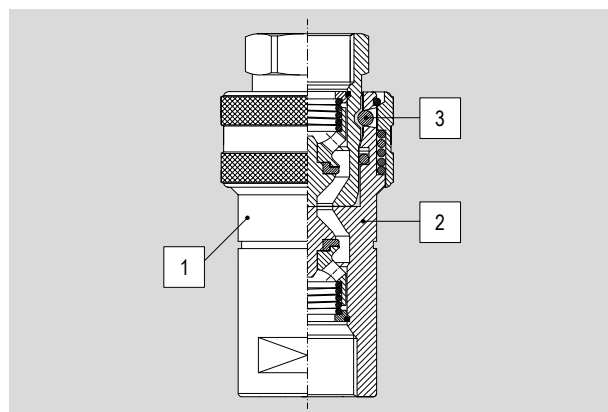
Notes

The options in the same grid are alternative to each others.
For standard materials see the table below.
For different configurations and dimensions see page 5.321.2

Technical data

| Series | GXA | | | | |
|-------------------|---|---------|------|------|---------|
| Size | 1/4" | 3/8" | 1/2" | 3/4" | 1" |
| | DN6 | DN9 | DN13 | DN19 | DN25 |
| Pressure range | 300 bar | 250 bar | | | 200 bar |
| Fluid | Compressed air, gases, acids and fluids | | | | |
| Temperature range | -20°C ÷ +150°C | | | | |
| Parallel threads | UNI - ISO 228/1 (BSP) | | | | |

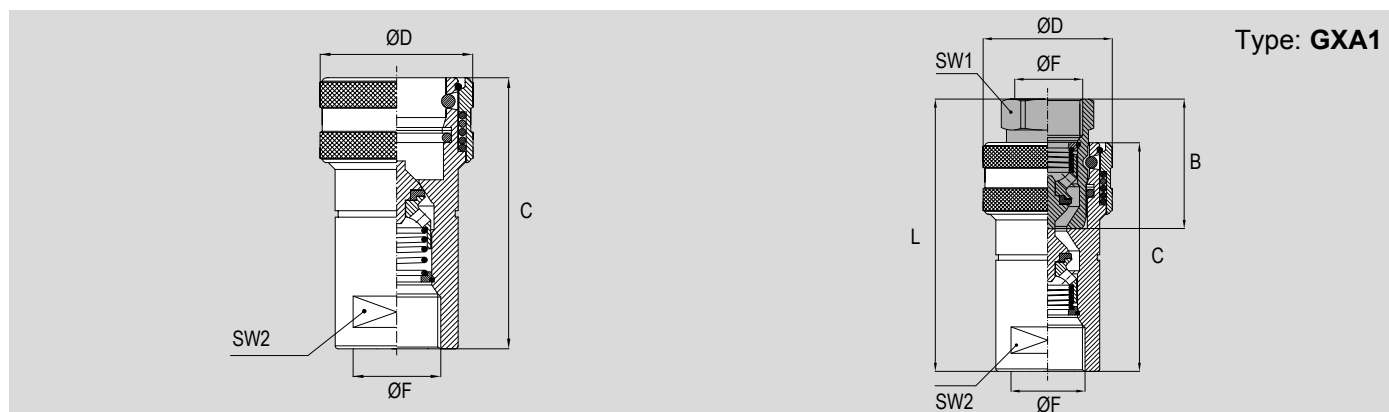
Standard materials



| Position | Description | Material |
|----------|----------------|--------------------------|
| 1 | Body | Stainless Steel AISI 316 |
| 2 | Internal parts | Stainless Steel AISI 316 |
| 3 | Seals | FKM |

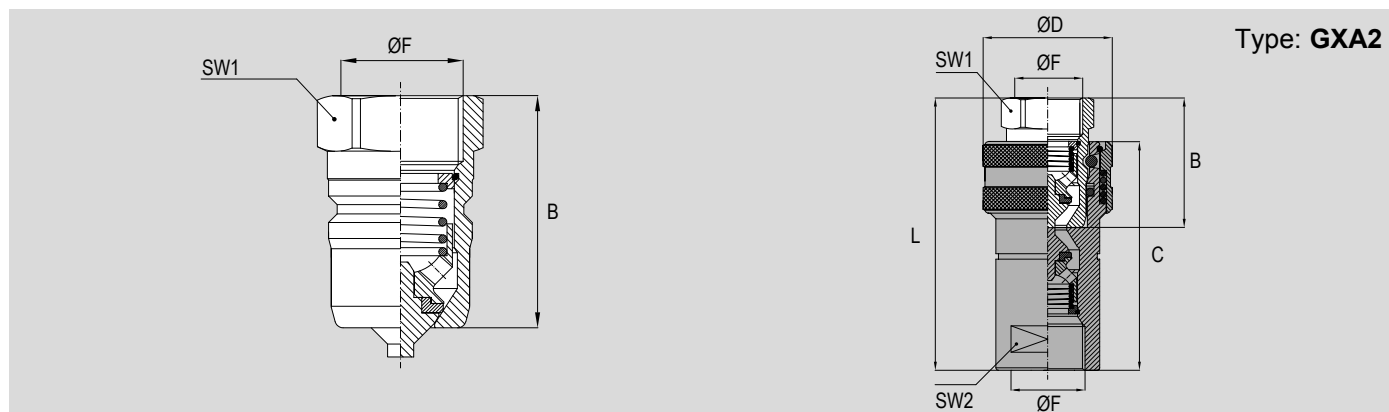
Stainless Steel quick-lock couplings
Stainless Steel quick-lock couplings, series GX

Standard dimensions



| Code | Item | ØF (size) | | B | C | ØD | L | SW1 | SW2 |
|--------|----------|-----------|-------|------|----|----|-----|-----|-----|
| 570836 | GXA1014F | G1/4" | DN 6 | 34 | 50 | 26 | 70 | 19 | 19 |
| 570838 | GXA1038F | G3/8" | DN 9 | 40 | 57 | 30 | 80 | 22 | 22 |
| 570840 | GXA1012F | G1/2" | DN 13 | 46 | 70 | 38 | 95 | 27 | 27 |
| 570842 | GXA1034F | G3/4" | DN 19 | 53,5 | 81 | 48 | 108 | 32 | 34 |
| 570844 | GXA1100F | G1" | DN 25 | 63 | 96 | 54 | 126 | 41 | 38 |

Standard dimensions



| Code | Item | ØF (size) | | B | C | ØD | L | SW1 | SW2 |
|--------|----------|-----------|-------|------|----|----|-----|-----|-----|
| 570837 | GXA2014F | G1/4" | DN 6 | 34 | 50 | 26 | 70 | 19 | 19 |
| 570839 | GXA2038F | G3/8" | DN 9 | 40 | 57 | 30 | 80 | 22 | 22 |
| 570841 | GXA2012F | G1/2" | DN 13 | 46 | 70 | 38 | 95 | 27 | 27 |
| 570843 | GXA2034F | G3/4" | DN 19 | 53,5 | 81 | 48 | 108 | 32 | 34 |
| 570845 | GXA2100F | G1" | DN 25 | 63 | 96 | 54 | 126 | 41 | 38 |

5 - STAINLESS STEEL COMPONENTS

Stainless Steel quick-lock couplings

Stainless Steel quick-lock couplings, series GXF



| Main features | | | |
|---------------|---|--------|------------|
| Series | Description | Symbol | Compliance |
| GXF | Double shut off flat face quick-lock couplings, leak-free at the moment of disconnection. Sizes from 1/4" to 1 1/4". In AISI 316 Stainless Steel. | | |

Code key

| Series | Configuration | Size |
|------------|---------------|-------------|
| GXF | 1 | 012F |

GXF

1 = Coupling

2 = Stem

014F = 1/4" DN6

038F = 3/8" DN9

012F = 1/2" DN13

034F = 3/4" DN19

100F = 1" DN25

114F = 1 1/4" DN30

How to order

| Series | Configuration | Size |
|------------|---------------|-------------|
| GXF | 1 | 012F |

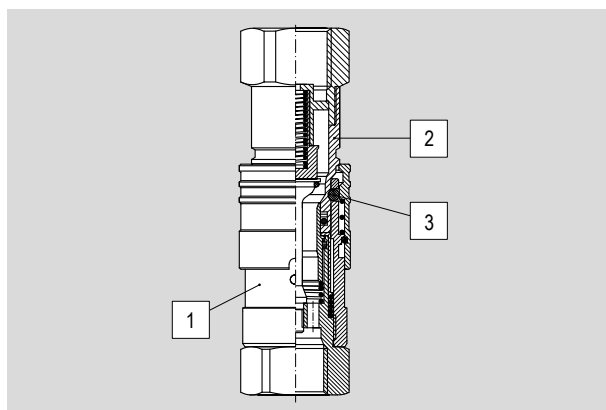
Notes

The options in the same grid are alternative to each others.
 For standard materials see the table below.
 For different configurations and dimensions see page 5.322.2

Technical data

| Series | GXF | | | | | |
|-------------------|---|---------|------|---------|---------|---------|
| Size | 1/4" | 3/8" | 1/2" | 3/4" | 1" | 1 1/4" |
| | DN6 | DN9 | DN13 | DN19 | DN25 | DN30 |
| Pressure range | 300 bar | 250 bar | | 200 bar | 150 bar | 100 bar |
| Fluid | Compressed air, gases, acids and fluids | | | | | |
| Temperature range | -20°C ÷ +150°C | | | | | |
| Parallel threads | UNI - ISO 228/1 (BSP) | | | | | |

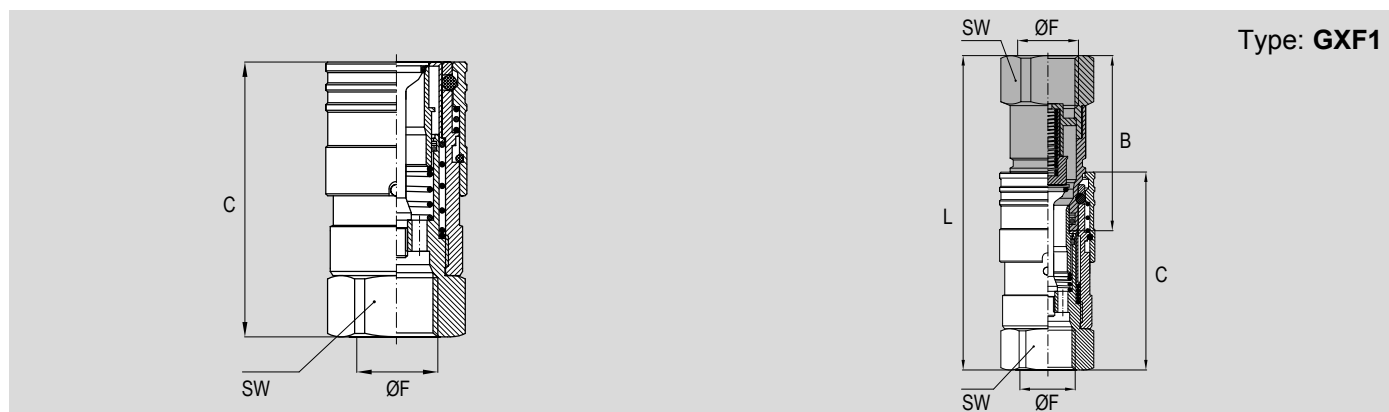
Standard materials



| Position | Description | Material |
|----------|----------------|--------------------------|
| 1 | Body | Stainless Steel AISI 316 |
| 2 | Internal parts | Stainless Steel AISI 316 |
| 3 | Seals | FKM |

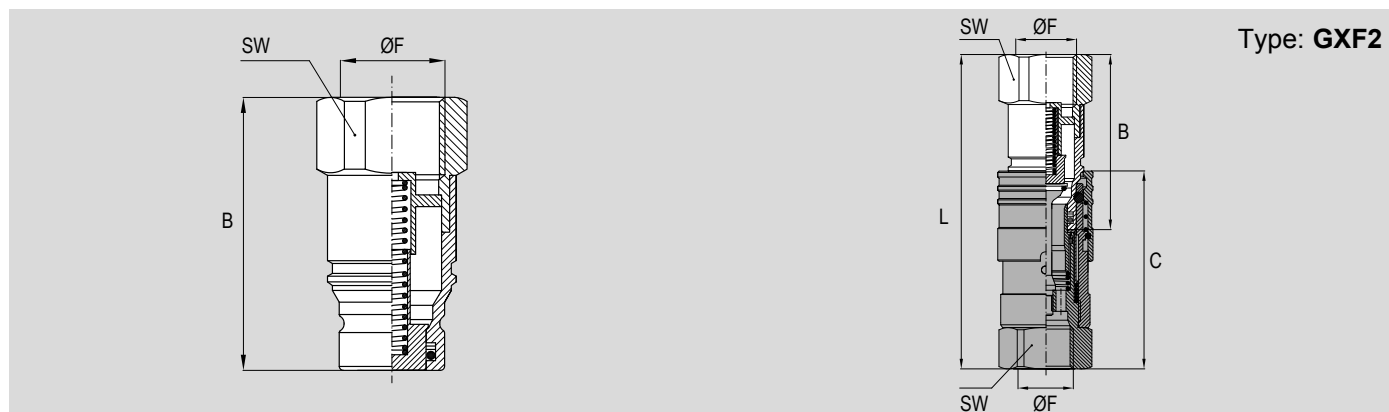
Stainless Steel quick-lock couplings
Stainless Steel quick-lock couplings, series GXF

Standard dimensions



| Code | Item | ØF (size) | | B | C | L | SW |
|--------|----------|-----------|-------|----|-----|-------|----|
| 570846 | GXF1014F | G1/4" | DN 6 | 48 | 48 | 86 | 22 |
| 570848 | GXF1038F | G3/8" | DN 9 | 67 | 68 | 118 | 27 |
| 570850 | GXF1012F | G1/2" | DN 13 | 68 | 74 | 125 | 32 |
| 570852 | GXF1034F | G3/4" | DN 19 | 70 | 79 | 130 | 36 |
| 570854 | GXF1100F | G1" | DN 25 | 82 | 93 | 153 | 45 |
| 570856 | GXF1114F | G1 1/4" | DN 30 | 90 | 106 | 172,5 | 55 |

Standard dimensions



| Code | Item | ØF (size) | | B | C | L | SW |
|--------|----------|-----------|-------|----|-----|-------|----|
| 570847 | GXF2014F | G1/4" | DN 6 | 48 | 48 | 86 | 22 |
| 570849 | GXF2038F | G3/8" | DN 9 | 67 | 68 | 118 | 27 |
| 570851 | GXF2012F | G1/2" | DN 13 | 68 | 74 | 125 | 32 |
| 570853 | GXF2034F | G3/4" | DN 19 | 70 | 79 | 130 | 36 |
| 570855 | GXF2100F | G1" | DN 25 | 82 | 93 | 153 | 45 |
| 570857 | GXF2114F | G1 1/4" | DN 30 | 90 | 106 | 172,5 | 55 |

5 - STAINLESS STEEL COMPONENTS

Stainless Steel quick-lock couplings

Stainless Steel in-line rotary joints, series GGLX

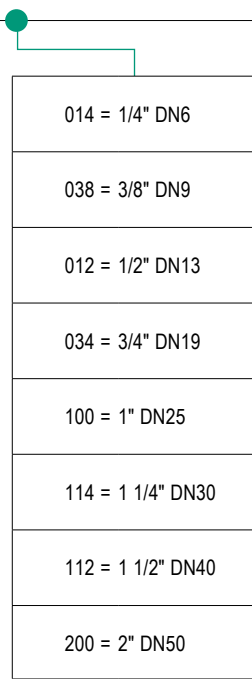
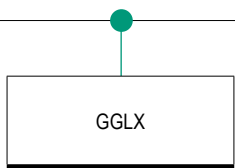


Main features

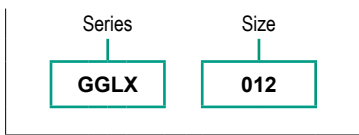
| Series | Description |
|--------|---|
| GGLX | In-line rotary joints in configuration M/F. Sizes from 1/4" to 2". In AISI 316 Stainless Steel. |

Code key

| Series | Size |
|-------------|------------|
| GGLX | 012 |



How to order



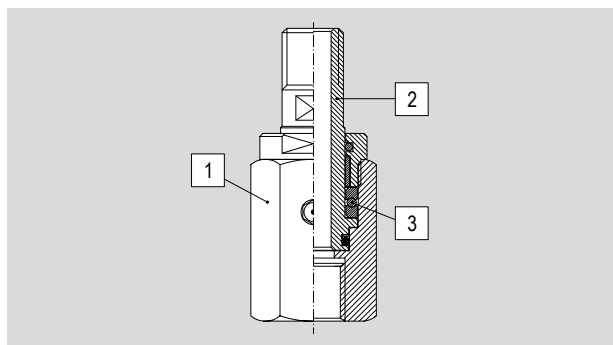
Notes

The options in the same grid are alternative to each others.
For standard materials see the table below.
For dimensions see page 5.326.2

Technical data

| Series | GGLX | | | | | | | |
|-------------------|---|------|------|---------|------|---------|---------|------|
| Size | 1/4" | 3/8" | 1/2" | 3/4" | 1" | 1 1/4" | 1 1/2" | 2" |
| | DN6 | DN9 | DN13 | DN19 | DN25 | DN30 | DN40 | DN50 |
| Pressure range | 300 bar | | | 250 bar | | 180 bar | 150 bar | |
| Fluid | Compressed air, gases, acids and fluids | | | | | | | |
| Temperature range | -20°C ÷ +150°C | | | | | | | |
| Configuration | Male/Female | | | | | | | |
| Rotation speed | 10 turns/minute (maximum) | | | | | | | |
| Parallel threads | UNI - ISO 228/1 (BSP) | | | | | | | |

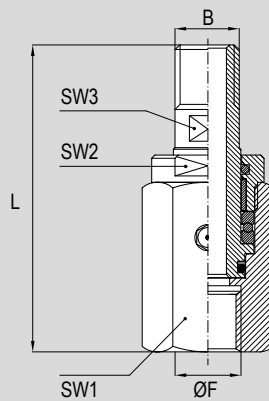
Standard materials



| Position | Description | Material |
|----------|----------------|--------------------------|
| 1 | Body | Stainless Steel AISI 316 |
| 2 | Internal parts | Stainless Steel AISI 316 |
| 3 | Seals | FKM |

Stainless Steel quick-lock couplings
Stainless Steel in-line rotary joints, series GGLX

Standard dimensions



Type: **GGLX**

| Code | Item | ØF (size) | | B | L | SW1 | SW2 | SW3 |
|--------|---------|-----------|------|---------|-----|-----|-----|-----|
| 570858 | GGLX014 | G1/4" | DN6 | G1/4" | 75 | 27 | 24 | 11 |
| 570859 | GGLX038 | G3/8" | DN9 | G3/8" | 88 | 34 | 30 | 14 |
| 570860 | GGLX012 | G1/2" | DN13 | G1/2" | 101 | 36 | 32 | 18 |
| 570861 | GGLX034 | G3/4" | DN19 | G3/4" | 110 | 46 | 40 | 24 |
| 570862 | GGLX100 | G1" | DN25 | G1" | 124 | 55 | 50 | 30 |
| 570863 | GGLX114 | G1 1/4" | DN30 | G1 1/4" | 129 | 60 | 55 | 38 |
| 570864 | GGLX112 | G1 1/2" | DN40 | G1 1/2" | 138 | 75 | 69 | 41 |
| 570865 | GGLX200 | G2" | DN50 | G2" | 149 | 85 | 80 | 55 |

Stainless Steel quick-lock couplings

Stainless Steel 90° rotary joints, series GGAX

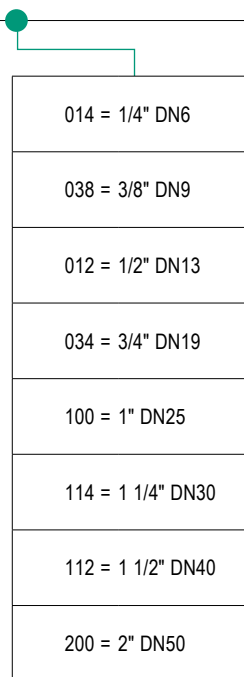
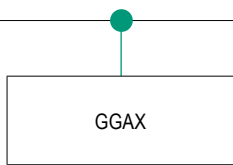


Main features

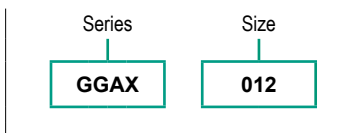
| Series | Description |
|--------|--|
| GGAX | 90° rotary joints in configuration M/F. Size from 1/4" to 2". In AISI 316 Stainless Steel. |

Code key

| Series | Size |
|-------------|------------|
| GGAX | 012 |



How to order



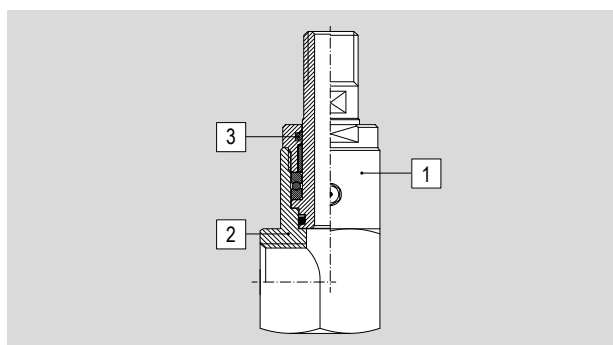
Notes

The options in the same grid are alternative to each others.
For standard materials see the table below.
For dimensions see page 5.327.2

Technical data

| Series | GGAX | | | | | | | | |
|-------------------|---|---------|---------|------|---------|---------|--------|------|--|
| Size | 1/4" | 3/8" | 1/2" | 3/4" | 1" | 1 1/4" | 1 1/2" | 2" | |
| | DN6 | DN9 | DN13 | DN19 | DN25 | DN30 | DN40 | DN50 | |
| Pressure range | 350 bar | 300 bar | 250 bar | | 180 bar | 150 bar | | | |
| Fluid | Compressed air, gases, acids and fluids | | | | | | | | |
| Temperature range | -20°C ÷ +150°C | | | | | | | | |
| Configuration | Male/Female | | | | | | | | |
| Rotation speed | 10 turns/minute (maximum) | | | | | | | | |
| Parallel threads | UNI - ISO 228/1 (BSP) | | | | | | | | |

Standard materials

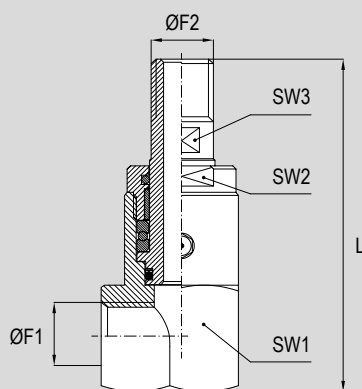


| Position | Description | Material |
|----------|----------------|--------------------------|
| 1 | Body | Stainless Steel AISI 316 |
| 2 | Internal parts | Stainless Steel AISI 316 |
| 3 | Seals | FKM |

5 - STAINLESS STEEL COMPONENTS

Stainless Steel quick-lock couplings
Stainless Steel 90° rotary joints, series GGAX

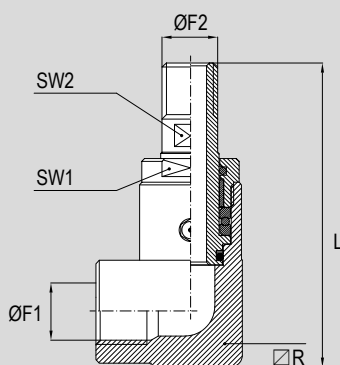
Standard dimensions



Type: **GGAX**
1/4"±1"

| Code | Item | ØF1 (size) | | ØF2 | L | SW1 | SW2 | SW3 |
|--------|---------|------------|------|-------|-----|-----|-----|-----|
| 570866 | GGAX014 | G1/4" | DN6 | G1/4" | 78 | 32 | 21 | 11 |
| 570867 | GGAX038 | G3/8" | DN9 | G3/8" | 98 | 36 | 27 | 14 |
| 570868 | GGAX012 | G1/2" | DN13 | G1/2" | 106 | 46 | 32 | 18 |
| 570869 | GGAX034 | G3/4" | DN19 | G3/4" | 118 | 50 | 37 | 24 |
| 570870 | GGAX100 | G1" | DN25 | G1" | 142 | 60 | 46 | 30 |

Standard dimensions



Type: **GGAX**
1 1/4"±2"

| Code | Item | ØF1 (size) | | ØF2 | L | SW1 | SW2 | ∇R |
|--------|---------|------------|------|---------|-----|-----|-----|----|
| 570871 | GGAX114 | G1 1/4" | DN30 | G1 1/4" | 155 | 55 | 38 | 60 |
| 570872 | GGAX112 | G1 1/2" | DN40 | G1 1/2" | 170 | 70 | 41 | 75 |
| 570873 | GGAX200 | G2" | DN50 | G2" | 190 | 80 | 55 | 85 |

5 - STAINLESS STEEL COMPONENTS