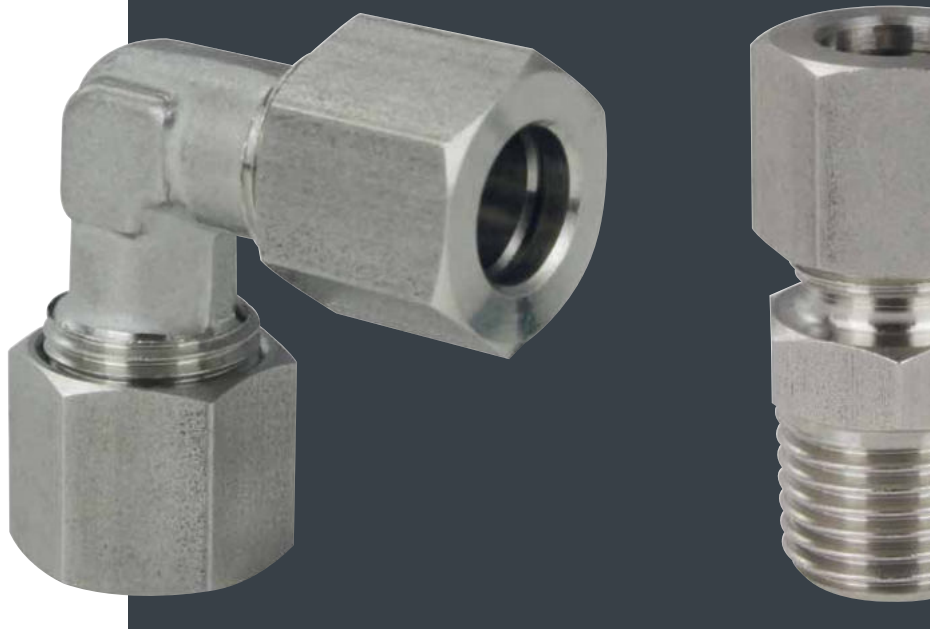


# STAINLESS STEEL

## compression fittings



Find out our  
key products



**Solution for most applications**



**Easy and intuitive choice**



**Excellent value for money**



**Wide availability**



**Fast delivery**



## Stainless Steel compression fittings

## Main features and certifications

Stainless Steel compression fittings. Available in different versions, threads and for different tube sizes. Supplied conforming to Reach and RoHS directives. Lubricated with synthetic grease long lasting and fully composed by non-toxic elements conforming to FDA Directive section 21 CFR 178 about accidental contact with food (registered NSF H1).



## Series OX

from page 5.306.10



Stainless Steel AISI 316 L compression fittings conforming to DIN 2353 standards for stainless steel tubes. The ogive crushing onto the tube, by screwing down the external nut, allows to get a safe connection even at high pressures. The ogive is single cone. Available in different configurations, with taper BSPT threads and BSP threads, in various sizes.

# Stainless Steel compression fittings

Series OX



## Code key

Series	Type*	Tube Diameter*	Thread (or Tube Diameter 2)*
<b>OX</b>	<b>11</b>	<b>08</b>	<b>18</b>
OX	11, 13, 14, 16, 17, 18, 19, 21, 22	04 = Ø 4 mm 06 = Ø 6 mm 08 = Ø 8 mm 10 = Ø 10 mm 12 = Ø 12 mm	18 = 1/8" 14 = 1/4" 38 = 3/8" 12 = 1/2"

## How to order

Series	Type	Ø Tube	Thread
<b>OX</b>	<b>11</b>	<b>08</b>	<b>18</b>

## Notes

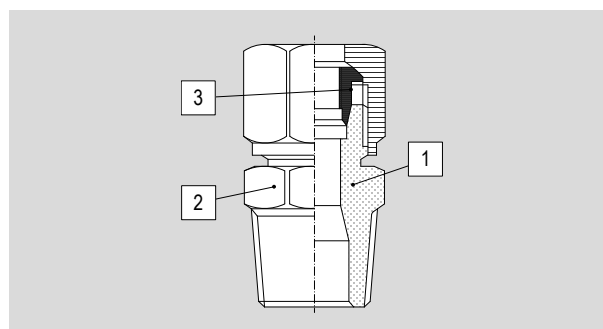
\*For matching between fitting type, tube diameter and thread, see from page 5.306.11; for the specific type, see the following pages.

For standard materials see the table below

## Technical data

Version	Series OX
Fluid	Compressed air, aggressive fluids, low pressure oil
Maximum pressure	0 ÷ 80 bar
Temperature range	-40°C ÷ +250°C
Parallel threads	UNI - ISO 228 / 1 (BSP)
Taper threads	UNI EN 10226-1 (BSPT)
Tubes	Seamless Stainless Steel

## Standard materials



Position	Description	Material
1	Body	Stainless Steel AISI 316 L
2	Nut	Stainless Steel AISI 316 L
3	Ogive	Stainless Steel AISI 316 L

Stainless Steel compression fittings  
Series OX

Fittings series OX

Type			Taper threads (BSPT)	Parallel threads (BSP)	For tube Ø mm	Data sheet and code page
OX11	BSPT stud		1/8", 1/4", 3/8", 1/2"	-	4, 6, 8, 10, 12	5.306.12
OX13	Female BSP stud		-	1/8", 1/4", 3/8", 1/2"	6, 8, 10, 12	5.306.12
OX14	Union		-	-	4, 6, 8, 10, 12	5.306.13
OX16	BSPT elbow		1/8", 1/4", 3/8", 1/2"	-	4, 6, 8, 10, 12	5.306.13
OX17	Equal elbow		-	-	4, 6, 8, 10, 12	5.306.14
OX18	Equal tee		-	-	4, 6, 8, 10, 12	5.306.14
OX19	BSPT tee		1/8", 1/4", 3/8", 1/2"	-	4, 6, 8, 10, 12	5.306.15
OX21	Nut		-	-	4, 6, 8, 10, 12	5.306.15
OX22	Ogive		-	-	4, 6, 8, 10, 12	5.306.16

Matching thread/tube

Tube diameter (external)	Thread							
	G1/8"	G1/4"	G3/8"	G1/2"	R1/8"	R1/4"	R3/8"	R1/2"
Ø 4 mm	-	-	-	-	●	-	-	-
Ø 6 mm	●	-	-	-	●	●	-	-
Ø 8 mm	-	●	-	-	●	●	-	-
Ø 10 mm	-	●	●	-	-	●	●	-
Ø 12 mm	-	-	●	●	-	-	●	●

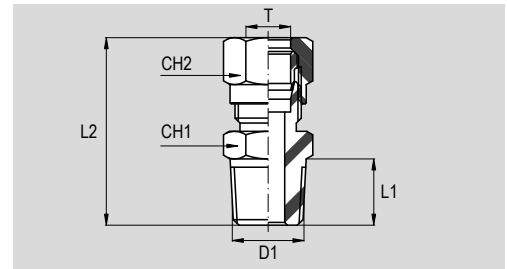
Key  
● available matching; - not available matching

# Stainless Steel compression fittings

## Series OX

### Main features

Type	Description
OX11	BSPT stud. In AISI 316L Stainless Steel

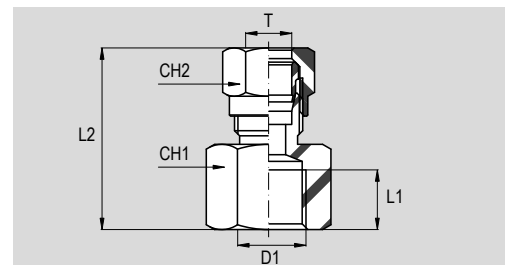


### Dimensions

Code	Item	T (ØTube)	D1	L1	L2	CH1	CH2	Weight (g)
027057	OX110418	4	R1/8"	8	27	10	10	12,9
027031	OX110618	6	R1/8"	8	27	11	12	14,9
027032	OX110614	6	R1/4"	11	31	14	12	24
027053	OX110818	8	R1/8"	8	29	12	14	17,5
027033	OX110814	8	R1/4"	11	32	14	14	25
027036	OX111014	10	R1/4"	11	35,5	17	19	42,4
027037	OX111038	10	R3/8"	11,5	37	17	19	51,2
027040	OX111238	12	R3/8"	11,5	37	19	22	59,3
027041	OX111212	12	R1/2"	14	40,5	22	22	81,1

### Main features

Type	Description
OX13	Female BSP stud. In AISI 316L Stainless Steel



### Dimensions

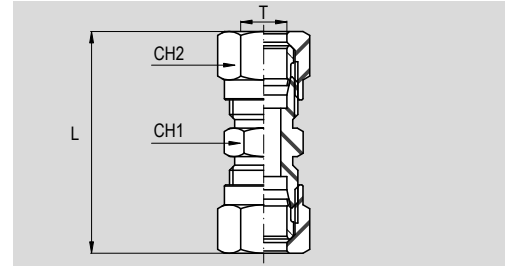
Code	Item	T (ØTube)	D1	L1	L2	CH1	CH2	Weight (g)
027081	OX130618	6	G1/8"	8,5	28	14	12	20,5
027082	OX130814	8	G1/4"	10,5	31	19	14	35,1
027083	OX131014	10	G1/4"	10,5	34,5	19	19	51,6
027016	OX131038	10	G3/8"	10,5	36,5	22	19	-
027084	OX131238	12	G3/8"	10,5	36,5	22	22	70,2
027017	OX131212	12	G1/2"	12,5	37,5	24	22	69,2

# Stainless Steel compression fittings

## Series OX

### Main features

Type	Description
OX14	Union. In AISI 316L Stainless Steel

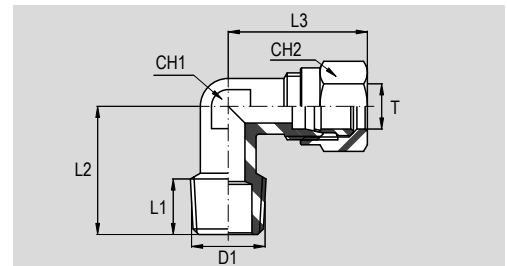


### Dimensions

Code	Item	T (ØTube)	L	CH1	CH2	Weight (g)
027021	OX140404	4	34	9	10	14,9
027001	OX140606	6	34	11	12	20,4
027002	OX140808	8	36	12	14	26,5
027003	OX141010	10	45	17	19	66,4
027004	OX141212	12	45	19	22	85,8

### Main features

Type	Description
OX16	BSPT elbow. In AISI 316L Stainless Steel



### Dimensions

Code	Item	T (ØTube)	D1	L1	L2	L3	CH1	CH2	Weight (g)
027018	OX160418	4	R1/8"	6,5	17	23	10	10	16,7
027091	OX160618	6	R1/8"	6,5	17	24	10	12	19,2
027092	OX160614	6	R1/4"	10	21,5	24	10	12	21,9
027094	OX160814	8	R1/4"	10	21,5	24,5	10	14	23,1
027096	OX161014	10	R1/4"	12,5	24,5	30,5	12	19	46,8
027097	OX161038	10	R3/8"	11,5	24,5	30,5	12	19	49,8
027100	OX161238	12	R3/8"	12,5	25,5	33	17	22	72,5
027101	OX161212	12	R1/2"	13,5	30	35	19	22	91,2

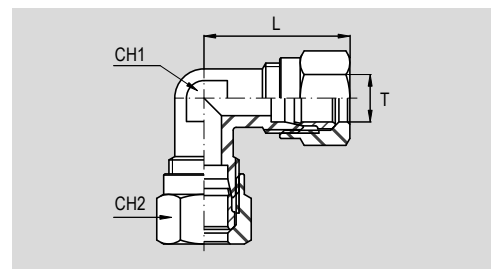
5 - STAINLESS STEEL COMPONENTS

# Stainless Steel compression fittings

## Series OX

### Main features

Type	Description
OX17	Equal elbow. In AISI 316L Stainless Steel

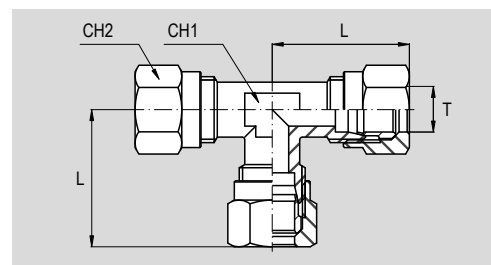


### Dimensions

Code	Item	T (ØTube)	L	CH1	CH2	Weight (g)
027022	OX170404	4	23	10	10	21,5
027061	OX170606	6	24	10	12	25,3
027062	OX170808	8	24,5	10	14	28,3
027063	OX171010	10	30,5	12	19	66
027064	OX171212	12	33	17	22	99,2

### Main features

Type	Description
OX18	Equal tee. In AISI 316L Stainless Steel



### Dimensions

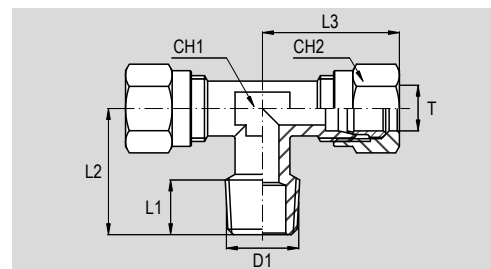
Code	Item	T (ØTube)	L	CH1	CH2	Weight (g)
027023	OX180404	4	23	10	10	30,2
027121	OX180606	6	24	10	12	36,2
027122	OX180808	8	24,5	10	14	40,9
027123	OX181010	10	30,5	12	19	94,1
027124	OX181212	12	33	17	22	143

# Stainless Steel compression fittings

## Series OX

### Main features

Type	Description
OX19	BSPT tee. In AISI 316L Stainless Steel

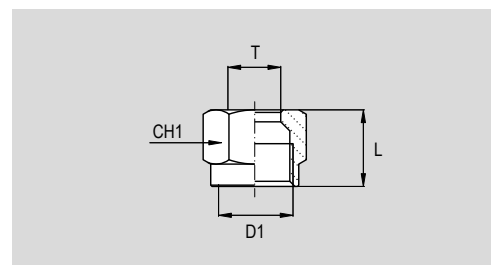


### Dimensions

Code	Item	T (ØTube)	D1	L1	L2	L3	CH1	CH2	Weight (g)
027019	OX190418	4	R1/8"	6,5	17	23	10	10	25,3
027151	OX190618	6	R1/8"	6,5	17	24	10	12	29,6
027152	OX190614	6	R1/4"	10	21,5	24	10	12	32,7
027153	OX190814	8	R1/4"	10	21,5	24,5	10	14	35,1
020243	OX191014	10	R1/4"	12,5	24,5	30,5	12	19	72,6
027154	OX191038	10	R3/8"	11,5	24,5	30,5	12	19	76,9
027156	OX191238	12	R3/8"	12,5	25,5	33	17	22	117,1
027020	OX191212	12	R1/2"	13,5	30	33	19	22	126,2

### Main features

Type	Description
OX21	Nut. In AISI 316L Stainless Steel



### Dimensions

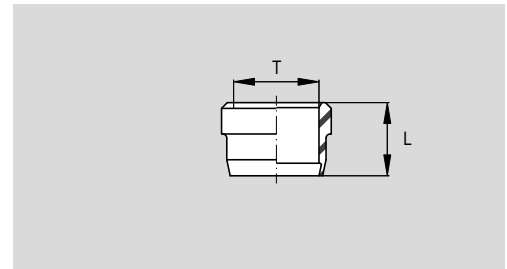
Code	Item	T (ØTube)	D1	L	CH1	Weight (g)
027240	OX210404	4	M8x1	11	10	4,3
027241	OX210606	6	M10x1	11,5	12	5,6
027242	OX210808	8	M12x1	12	14	7,1
027243	OX211010	10	M16x1,5	15,5	19	18,4
027244	OX211212	12	M18x1,5	15,5	22	25,8

# Stainless Steel compression fittings

## Series OX

### Main features

Type	Description
OX22	Ogive. In AISI 316L Stainless Steel



### Dimensions

Code	Item	T (ØTube)	L	Weight (g)
027024	OX220404	4	5,5	0,3
027271	OX220606	6	6	0,8
027272	OX220808	8	5,7	1
027273	OX221010	10	8	2,2
027274	OX221212	12	8	2,5