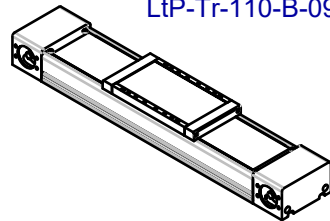
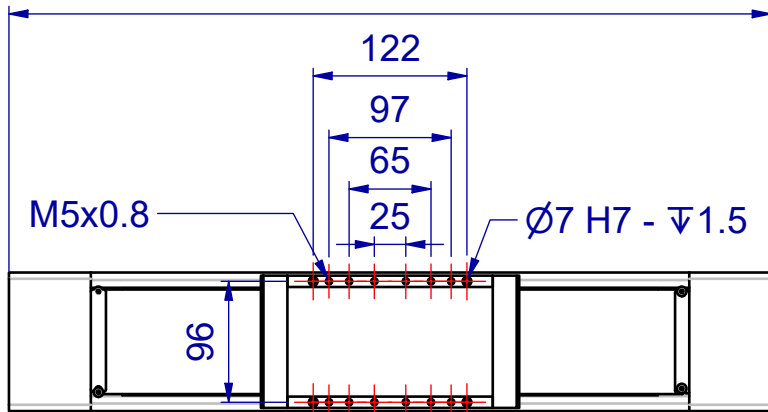


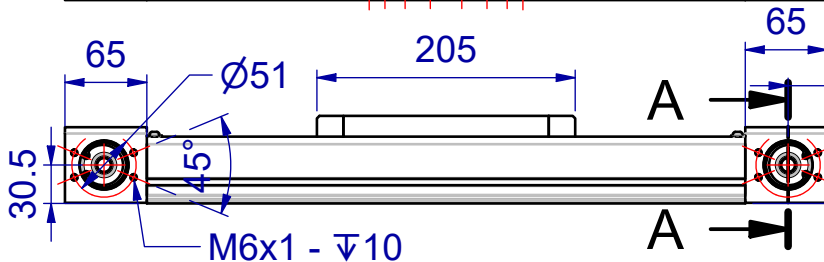
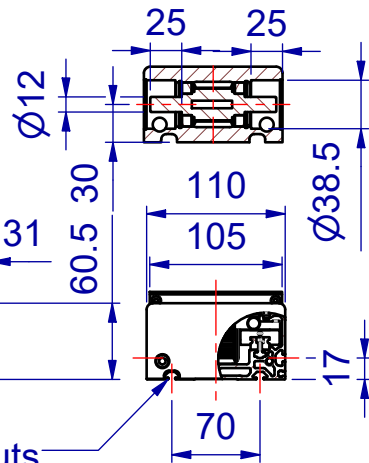
LtP-Tr-110-B-090D



$L = 395 + \text{Stroke}$



A-A (1:6)



T-slots for M8-M6 Nuts