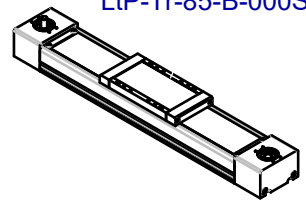
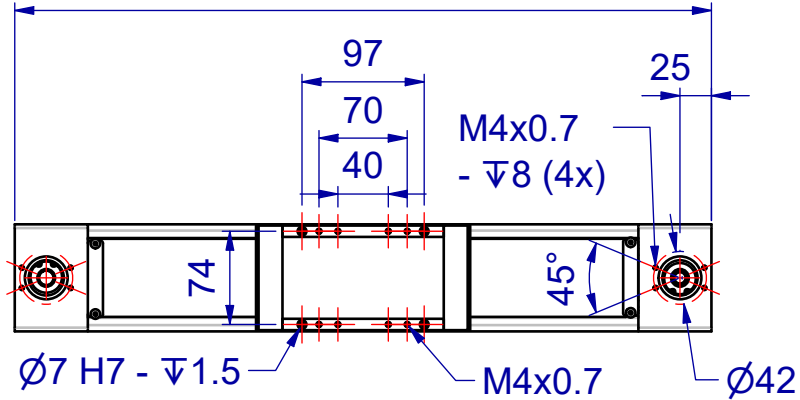


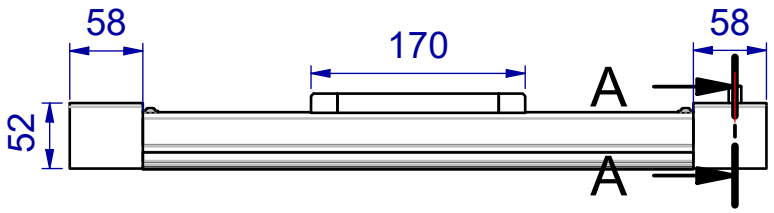
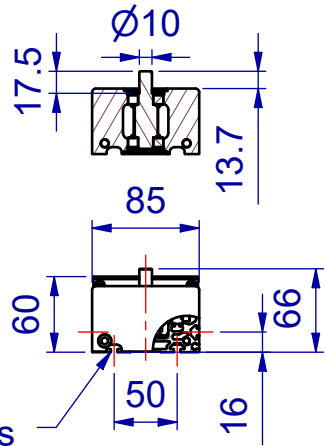
LtP-Tr-85-B-000S



$L = 343 + \text{Stroke}$



A-A ( 1 : 6 )



T-slots for M8-M6 Nuts