

# LTP110 SERIE

Compact linear units with internal rail guide



- Two internal recirculating ball rail guide size -15-
- Four ballcarriages design for heavier loads
- Internal toothed belt type 25 AT5
- Stainless steel band for protection
- Two positions for motor mounting direction

## TECHNICAL DATA

## LTP110-TR-15Q

Maximum stroke length	mm	2.000
Maximum speed Maximum acceleration	mm/s	2.000
	m /s <sup>2</sup>	40
No load torque	Nm	0,6
Repeatability	mm	± 0,05
Movement per revolution	mm	90

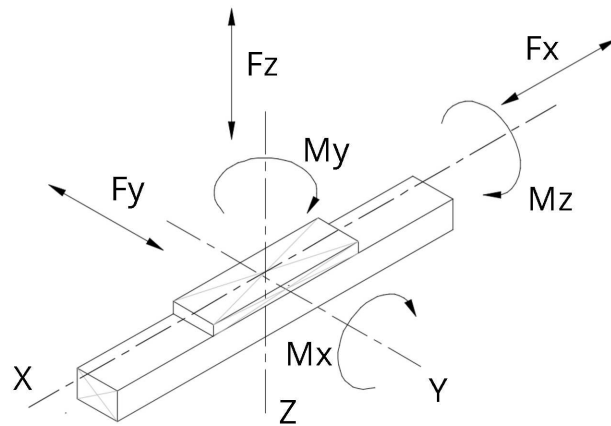
# LTP110 SERIE

## TECHNICAL DATA

### LOAD CAPACITY

### LTP110-TR-15Q

Mx	Nm	125
My	Nm	125
Mz	Nm	90
Fx	N	1.550
Fy	N	3.200
Fz	N	3.200



*These data can be used for a life cycle time calculation. Please ask for our assistance.*

## WEIGHTS (KG)

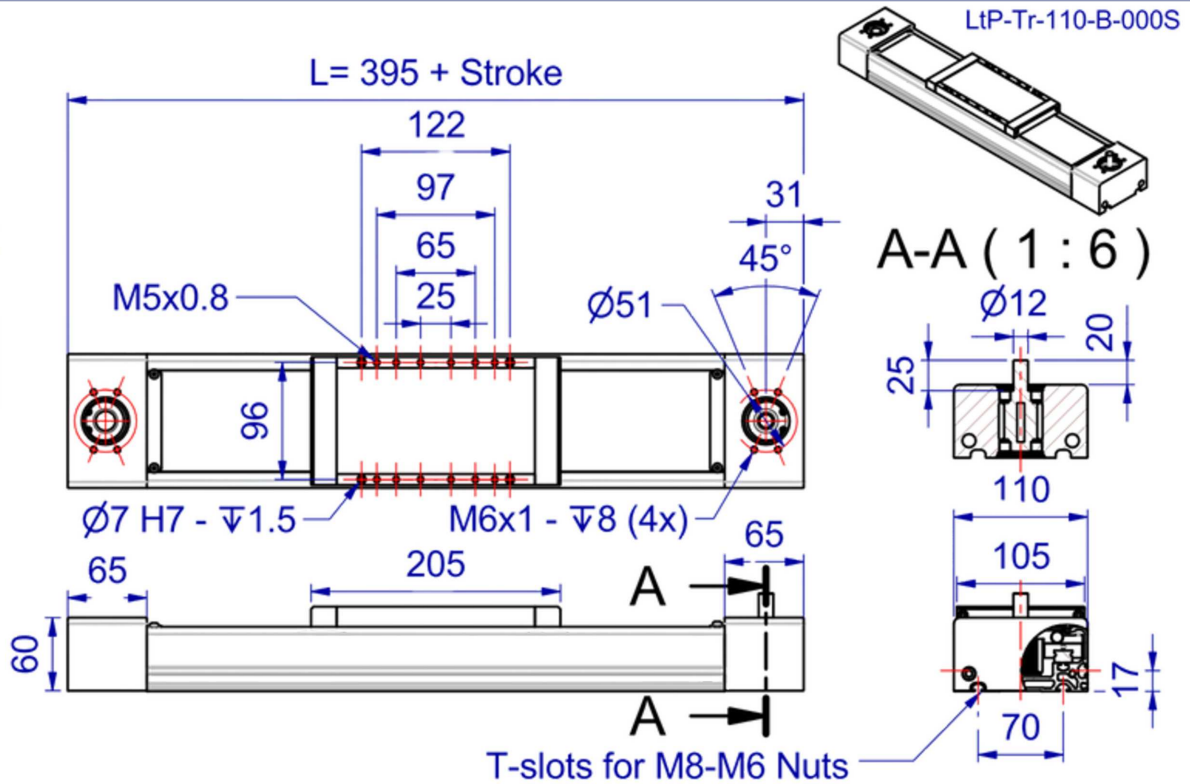
### LTP110-TR-15Q

Unit weight 0 mm stroke	4,40
Weight per 100 mm	0,65
Stroke Mass of carriage	1,60

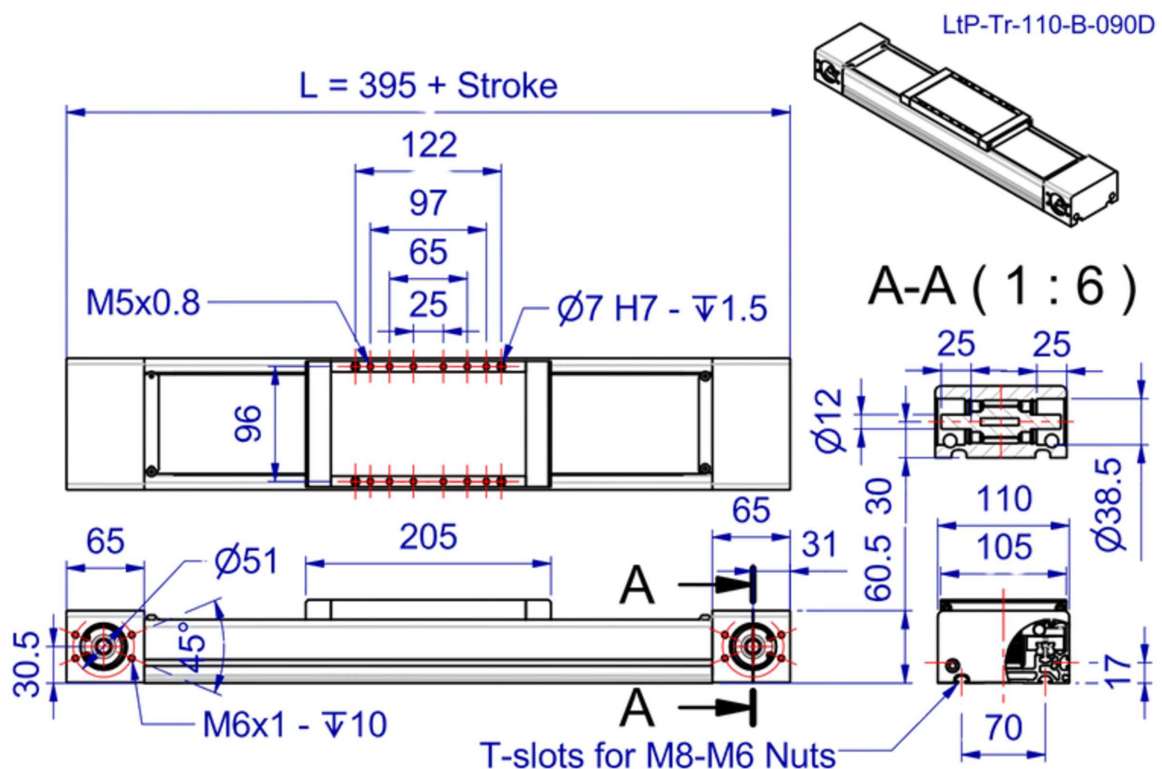
# LTP110 SERIE

## DIMENSIONS

LtP110-TR-B-000S



LtP110-TR-B-090D



# LTP110 SERIE

