

# LTP85 SERIE

Compact linear units with internal rail guide



- Two internal recirculating ball rail guide size -9-
- Four ballcarriages design for heavier loads
- Internal toothed belt type 20 AT5
- Stainless steel band for protection
- Two positions for motormounting direction

**TECHNICAL DATA \***

**LTP85-TR-09Q**

Maximum stroke length	mm	2.000
Maximum speed Maximum acceleration	mm/s	2.000
	m /s <sup>2</sup>	40
No load torque	Nm	0,5
Repeatability	mm	± 0,05
Movement per revolution	mm	65

*\*The values shown are theoretical maximum ratings. A suitable safety factor should always be applied based on application requirements.*

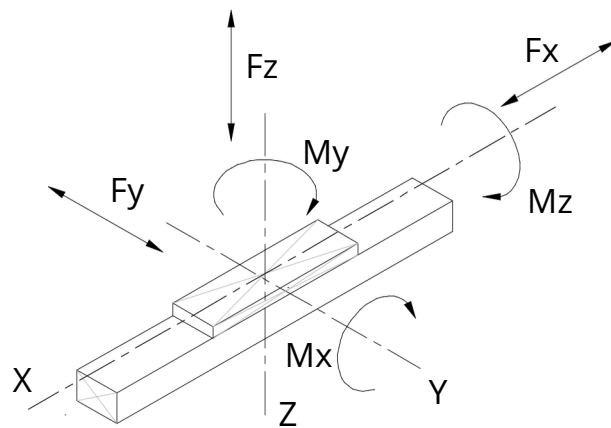
# LTP85 SERIE

## TECHNICAL DATA

### LOAD CAPACITY

### LTP85-TR-09Q

Mx	Nm	60
My	Nm	60
Mz	Nm	40
Fx	N	1.250
Fy	N	1.350
Fz	N	1.350



*These data can be used for a life cycle time calculation. Please ask for our assistance.*

## WEIGHTS (KG)

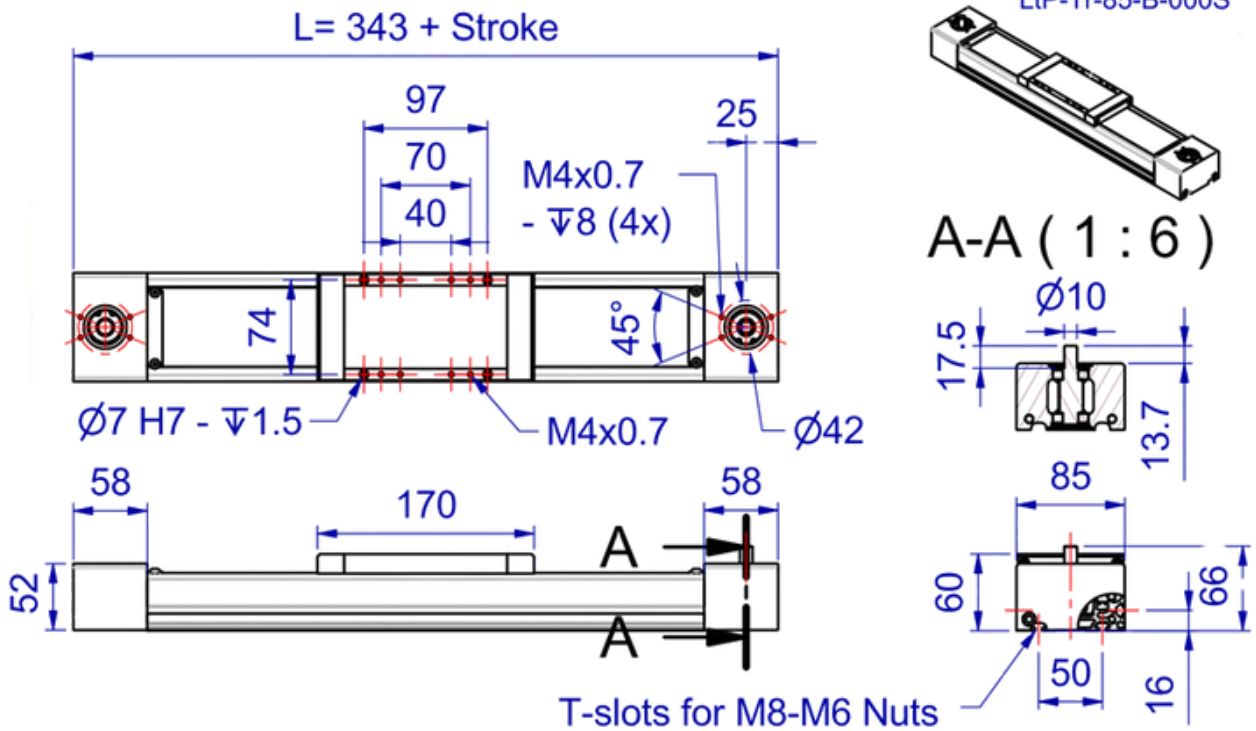
### LTP85-TR-09Q

Unit weight 0 mm stroke	2,40
Weight per 100 mm	0,40
Stroke Mass of carriage	0,90

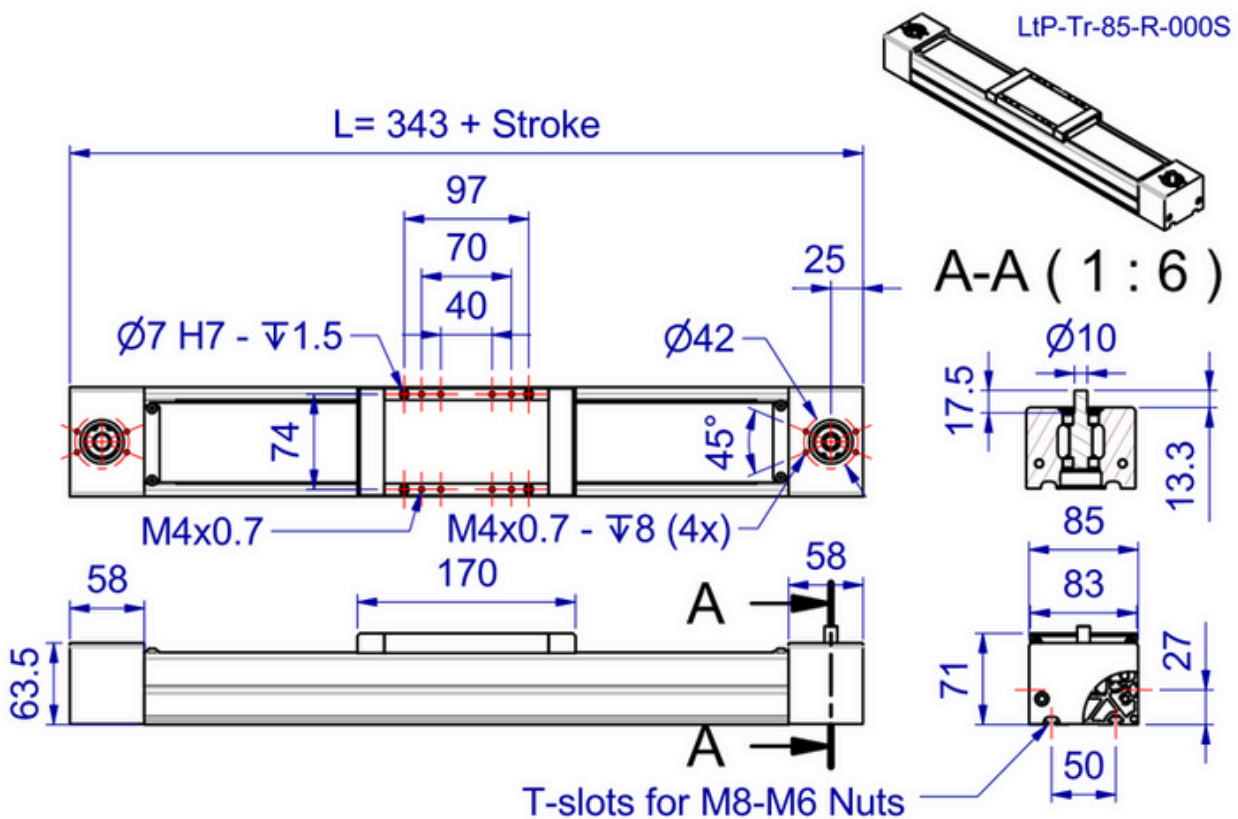
# LTP85 SERIE

## DIMENSIONS

LtP85-TR-B-000S



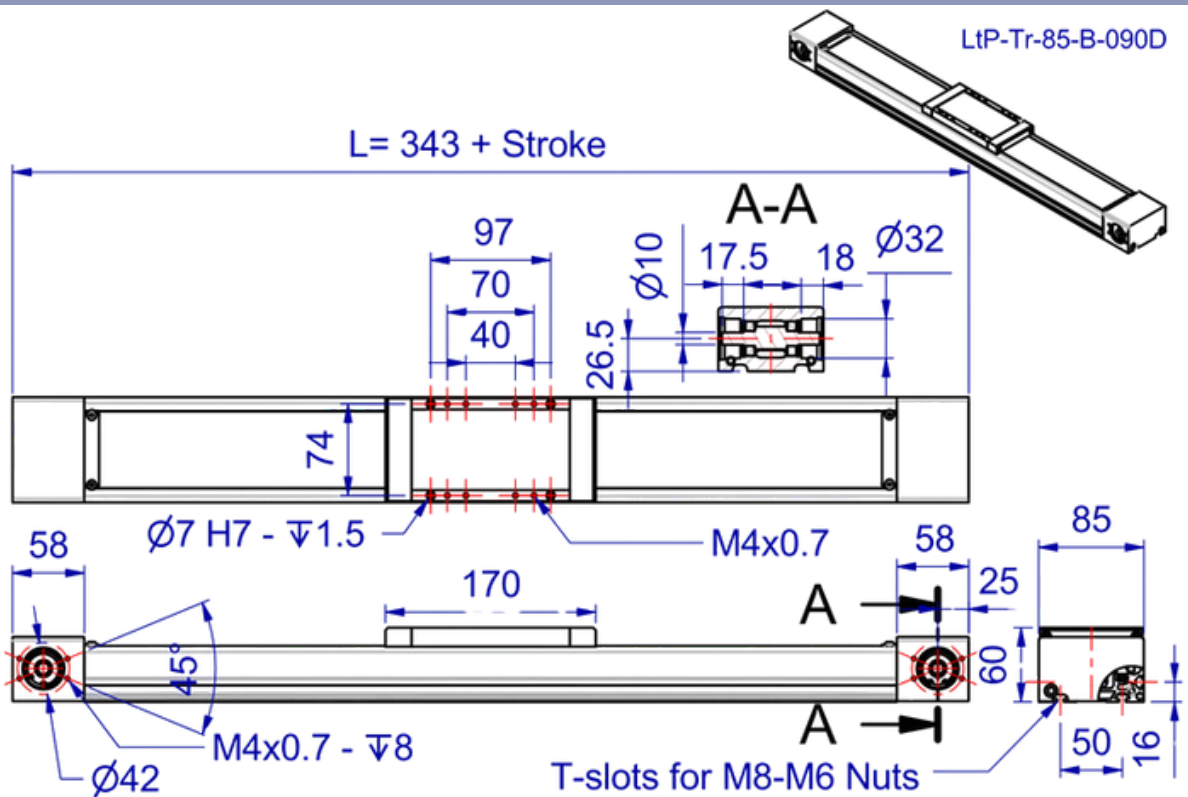
LtP85-TR-R-000S



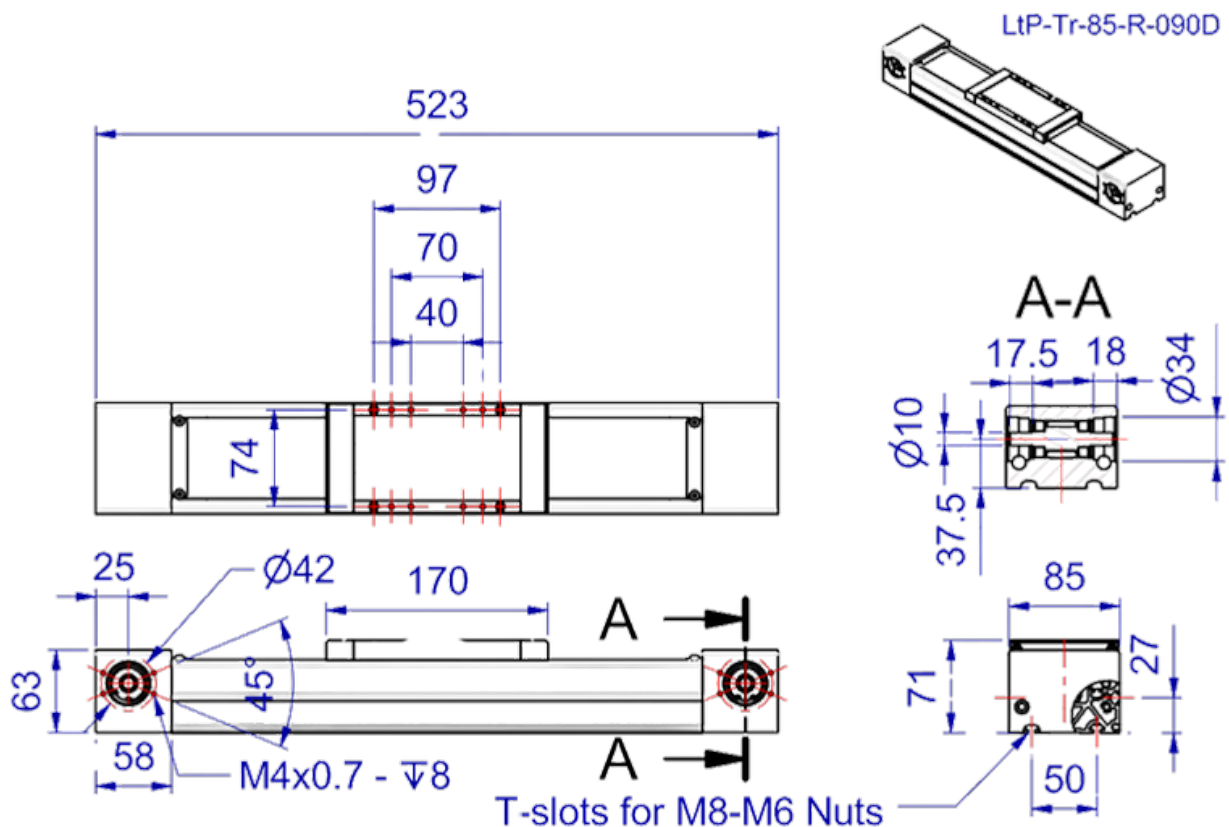
# LTP85 SERIE

## DIMENSIONS

LtP85-TR-B-090D



LtP85-TR-R-090D



# LTP85 SERIE

